





## Main

|                                    |   |
|------------------------------------|---|
| Range of Product                   | Altivar Process ATV600  |
| Product or Component Type          | Variable speed drive  |
| Product Specific Application       | Process and utilities   |
| Device short name                  | ATV630  |
| Variant                            | Standard version  |
| Product destination                | Asynchronous motors<br>Synchronous motors   |
| EMC filter                         | Without EMC filter  |
| IP degree of protection            | IP21IEC 61800-5-1<br>IP21IEC 60529  |
| [Us] rated supply voltage          | 200...240 V   |
| Degree of protection               | UL type 1 UL 508C   |
| Type of cooling                    | Forced convection   |
| Supply frequency                   | 50...60 Hz - 5...5 %  |
| [Us] rated supply voltage          | 200...240 V - 15...10 %   |
| Motor power kW                     | 3 kW normal duty)<br>2.2 kW heavy duty)   |
| Maximum Horse Power Rating         | 3 Hp heavy duty<br>4 hp normal duty   |
| Line current                       | 11.5 A 200 V normal duty)<br>9.9 A 240 V normal duty)<br>8.7 A 200 V heavy duty)<br>7.6 A 240 V heavy duty)   |
| Prospective line I <sub>sc</sub>   | 50 kA   |
| Apparent power                     | 4.1 KVA 240 V normal duty)<br>3.2 kVA 240 V heavy duty)   |
| Continuous output current          | 13.7 A 4 kHz normal duty<br>11.2 A 4 kHz heavy duty   |
| Asynchronous motor control profile | Optimized torque mode<br>Variable torque standard<br>Constant torque standard   |
| Synchronous motor control profile  | Permanent magnet motor<br>Synchronous reluctance motor  |
| Speed drive output frequency       | 0.1...500 Hz  |
| Nominal switching frequency        | 4 kHz   |
| Switching frequency                | 2...12 kHz adjustable<br>4...12 kHz with derating factor  |
| Safety function                    | STO (safe torque off) SIL 3   |
| Discrete input logic               | 16 preset speeds  |
| Communication port protocol        | Modbus TCP<br>Ethernet<br>Modbus serial   |
| Option card                        | Slot A communication module, Profibus DP V1<br>Slot A communication module, PROFINET<br>Slot A communication module, DeviceNet<br>Slot A communication module, Modbus TCP/<br>EtherNet/IP<br>Slot A communication module, CANopen daisy chain RJ45<br>Slot A communication module, CANopen SUB-D 9<br>Slot A communication module, CANopen screw terminals<br>Slot A/slot B digital and analog I/O extension module<br>Slot A/slot B output relay extension module<br>Slot A communication module, Ethernet IP/Modbus TCP/MD-Link<br>Communication module, BACnet MS/TP<br>Communication module, Ethernet Powerlink |

## Complementary

|                                     |  |
|-------------------------------------|--|
| Mounting Mode                       | Wall mount   |
| Maximum transient current           | 16.8 A 60 s heavy duty)<br>15.1 A 60 s normal duty)  |
| Phase                               | 3 phase  |
| Discrete output number              | 0  |
| Discrete output type                | Relay outputs R1A, R1B, R1C 250 V AC 3000 mA<br>Relay outputs R1A, R1B, R1C 30 V DC 3000 mA<br>Relay outputs R2A, R2C 250 V AC 5000 mA<br>Relay outputs R2A, R2C 30 V DC 5000 mA<br>Relay outputs R3A, R3C 250 V AC 5000 mA<br>Relay outputs R3A, R3C 30 V DC 5000 mA  |
| Output voltage                      | <= power supply voltage  |
| Permissible temporary current boost | 1.1 x In 60 s normal duty)<br>1.5 x In 60 s heavy duty)  |
| Motor slip compensation             | Can be suppressed<br>Automatic whatever the load<br>Adjustable<br>Not available in permanent magnet motor law  |
| Acceleration and deceleration ramps | Linear adjustable separately from 0.01...9999 s  |
| Physical interface                  | Ethernet<br>2-wire RS 485  |
| Braking to standstill               | By DC injection  |
| Protection type                     | Thermal protection motor<br>Safe torque off motor<br>Motor phase break motor<br>Thermal protection drive<br>Safe torque off drive<br>Overheating drive<br>Overcurrent between output phases and earth drive<br>Overload of output voltage drive<br>Short-circuit protection drive<br>Motor phase break drive<br>Overvoltages on the DC bus drive<br>Line supply overvoltage drive<br>Line supply undervoltage drive<br>Line supply phase loss drive<br>Overspeed drive<br>Break on the control circuit drive |
| Transmission Rate                   | 10, 100 Mbits<br>4800 bps, 9600 bps, 19200 bps, 38.4 Kbps  |
| Frequency resolution                | Display unit 0.1 Hz<br>Analog input 0.012/50 Hz  |
| Transmission frame                  | RTU  |
| Electrical connection               | Control removable screw terminals 0.5...1.5 mm <sup>2</sup> AWG 20...AWG 16<br>Motor screw terminal 4...6 mm <sup>2</sup> AWG 12...AWG 10<br>Line side screw terminal 2.5...6 mm <sup>2</sup> AWG 14...AWG 10  |
| Connector type                      | RJ45 on the remote graphic terminal)Ethernet/Modbus TCP<br>RJ45 on the remote graphic terminal)Modbus serial   |
| Data format                         | 8 bits, configurable odd, even or no parity  |
| Type of polarization                | No impedance   |
| Exchange mode                       | Half duplex, full duplex, autonegotiation Ethernet/Modbus TCP  |
| Number of addresses                 | 1...247 Modbus serial  |
| Method of access                    | Slave Modbus TCP   |
| Supply                              | External supply for digital inputs 24 V DC 19...30 V), <1.25 mA overload and short-circuit protection<br>Internal supply for reference potentiometer (1 to 10 kOhm) 10.5 V DC +/- 5 %, <10 mA overload and short-circuit protection<br>Internal supply for digital inputs and STO 24 V DC 21...27 V), <200 mA overload and short-circuit protection  |
| Local signalling                    | For local diagnostic 3 LEDs<br>For embedded communication status 3 LEDs (dual colour)<br>For communication module status 4 LEDs (dual colour)<br>For presence of voltage 1 LED (red)   |
| Width                               | 5.67 in (144 mm)   |
| Height                              | 13.78 in (350 mm)  |
| Depth                               | 7.99 in (203 mm)   |

|  |  |
|--|--|
| Net Weight                                 | 9.92 lb(US) (4.5 kg)   |
| Analogue input number                      | 3  |
| Analogue input type                        | AI1, AI2, AI3 software-configurable voltage 0...10 V DC 31.5 kOhm 12 bits<br>AI1, AI2, AI3 software-configurable current 0...20 mA 250 Ohm 12 bits<br>AI2 voltage analog input - 10...10 V DC 31.5 kOhm 12 bits  |
| Discrete input number                      | 8  |
| Discrete input type                        | DI7, DI8 programmable as pulse input 0...30 kHz, 24 V DC <= 30 V)  |
| Input compatibility                        | DI1...DI6 discrete input level 1 PLC IEC 61131-2<br>DI5, DI6 discrete input level 1 PLC IEC 65A-68<br>STOA, STOB discrete input level 1 PLC IEC 61131-2  |
| Discrete input logic                       | Positive logic (source) DI1...DI8), < 5 V, > 11 V<br>Negative logic (sink) DI1...DI8), > 16 V, < 10 V  |
| Analogue output number                     | 2  |
| Analogue output type                       | Software-configurable voltage AQ1, AQ2 0...10 V DC 470 Ohm 10 bits<br>Software-configurable current AQ1, AQ2 0...20 mA 10 bits<br>Software-configurable current DQ-, DQ+ 30 V DC<br>Software-configurable current DQ-, DQ+ 100 mA  |
| Sampling duration                          | 2 Ms +/- 0.5 ms DI1...DI4) - discrete input<br>5 Ms +/- 1 ms DI5, DI6) - discrete input<br>5 Ms +/- 0.1 ms AI1, AI2, AI3) - analog input<br>10 ms +/- 1 ms AO1) - analog output  |
| Accuracy                                   | +/- 0.6 % AI1, AI2, AI3 for a temperature variation 60 °C analog input<br>+/- 1 % AO1, AO2 for a temperature variation 60 °C analog output   |
| Linearity error                            | AI1, AI2, AI3 +/- 0.15 % of maximum value analog input<br>AO1, AO2 +/- 0.2 % analog output   |
| Relay output number                        | 3  |
| Relay output type                          | Configurable relay logic R1 fault relay NO/NC 100000 cycles<br>Configurable relay logic R2 sequence relay NO 100000 cycles<br>Configurable relay logic R3 sequence relay NO 100000 cycles  |
| Refresh time                               | Relay output R1, R2, R3)5 ms +/- 0.5 ms)   |
| Minimum switching current                  | Relay output R1, R2, R3 5 mA 24 V DC   |
| Maximum switching current                  | Relay output R1, R2, R3 resistive, cos phi = 1 3 A 250 V AC<br>Relay output R1, R2, R3 resistive, cos phi = 1 3 A 30 V DC<br>Relay output R1, R2, R3 inductive, cos phi = 0.4 7 ms 2 A 250 V AC<br>Relay output R1, R2, R3 inductive, cos phi = 0.4 7 ms 2 A 30 V DC   |
| Isolation                                  | Between power and control terminals  |
| Maximum output frequency                   | 500 kHz  |
| Maximum Input Current per Phase            | 11.5 A   |
| Variable speed drive application selection | Building - HVAC compressor centrifugal<br>Food and beverage processing other application<br>Mining mineral and metal fan<br>Mining mineral and metal pump<br>Oil and gas fan<br>Water and waste water other application<br>Building - HVAC screw compressor<br>Food and beverage processing pump<br>Food and beverage processing fan<br>Food and beverage processing atomization<br>Oil and gas electro submersible pump (ESP)<br>Oil and gas water injection pump<br>Oil and gas jet fuel pump<br>Oil and gas compressor for refinery<br>Water and waste water centrifuge pump<br>Water and waste water positive displacement pump<br>Water and waste water electro submersible pump (ESP)<br>Water and waste water screw pump<br>Water and waste water lobe compressor<br>Water and waste water screw compressor<br>Water and waste water compressor centrifugal<br>Water and waste water fan<br>Water and waste water conveyor<br>Water and waste water mixer |
| Motor power range AC-3                     | 2.2...3 kW 200...240 V 3 phase   |
| Quantity per Set                           | 1  |
| Enclosure mounting                         | Wall mounted   |

## Environment

|                                       |  |
|---------------------------------------|--|
| Insulation resistance                 | > 1 MOhm 500 V DC for 1 minute to earth  |
| Noise level                           | 54.5 dB 86/188/EEC   |
| Power dissipation in W                | Natural convection 34 W 200 V 4 kHz<br>Forced convection 104 W 200 V 4 kHz   |
| Volume of cooling air                 | 10038.72 Gal/hr(US) (38 m3/h)  |
| Operating position                    | Vertical +/- 10 degree   |
| Maximum THDI                          | <48 % full load IEC 61000-3-12   |
| Electromagnetic compatibility         | Electrostatic discharge immunity test level 3 IEC 61000-4-2<br>Radiated radio-frequency electromagnetic field immunity test level 3 IEC 61000-4-3<br>Electrical fast transient/burst immunity test level 4 IEC 61000-4-4<br>1.2/50 µs - 8/20 µs surge immunity test level 3 IEC 61000-4-5<br>Conducted radio-frequency immunity test level 3 IEC 61000-4-6 |
| Pollution degree                      | 2 IEC 61800-5-1  |
| Vibration resistance                  | 1.5 mm peak to peak 2...13 Hz)IEC 60068-2-6<br>1 gn 13...200 Hz)IEC 60068-2-6  |
| Shock resistance                      | 15 gn 11 ms IEC 60068-2-27   |
| Relative humidity                     | 5...95 % without condensation IEC 60068-2-3  |
| Ambient air temperature for operation | 5...122 °F (-15...50 °C) without derating)<br>122...140 °F (50...60 °C) with derating factor)  |
| Ambient Air Temperature for Storage   | -40...158 °F (-40...70 °C)   |
| Operating altitude                    | <= 3280.84 ft (1000 m) without derating<br>1000...4800 m with current derating 1 % per 100 m   |
| Product Certifications                | DNV-GL[RETURN]TÜV[RETURN]ATEX zone 2/22[RETURN]ATEX<br>INERIS[RETURN]CSA[RETURN]UL   |
| Marking                               | CE   |
| Standards                             | UL 508C<br>IEC 61800-3<br>IEC 61800-3 environment 1 category C2<br>EN/IEC 61800-3 environment 2 category C3<br>IEC 61800-5-1<br>IEC 61000-3-12<br>IEC 60721-3<br>IEC 61508<br>IEC 13849-1  |
| Overvoltage category                  | III  |
| Regulation loop                       | Adjustable PID regulator   |
| Noise level                           | 54.5 dB  |
| Pollution degree                      | 2  |

## Ordering and shipping details

|                   |                           |
|-------------------|---------------------------|
| Category          | 22205-ATV630 FRAMES 1 & 2 |
| Discount Schedule | CP4E                      |
| GTIN              | 3606480761645             |
| Returnability     | Yes                       |
| Country of origin | ID                        |

## Packing Units

|                              |                         |
|------------------------------|-------------------------|
| Unit Type of Package 1       | PCE                     |
| Number of Units in Package 1 | 1                       |
| Package 1 Height             | 12.40 in (31.500 cm)    |
| Package 1 Width              | 7.48 in (19.000 cm)     |
| Package 1 Length             | 15.94 in (40.500 cm)    |
| Package 1 Weight             | 13.33 lb(US) (6.046 kg) |
| Unit Type of Package 2       | P06                     |
| Number of Units in Package 2 | 6                       |
| Package 2 Height             | 29.53 in (75.000 cm)    |
| Package 2 Width              | 23.62 in (60.000 cm)    |

|                  |                           |
|------------------|---------------------------|
| Package 2 Length | 31.50 in (80.000 cm)      |
| Package 2 Weight | 109.32 lb(US) (49.588 kg) |

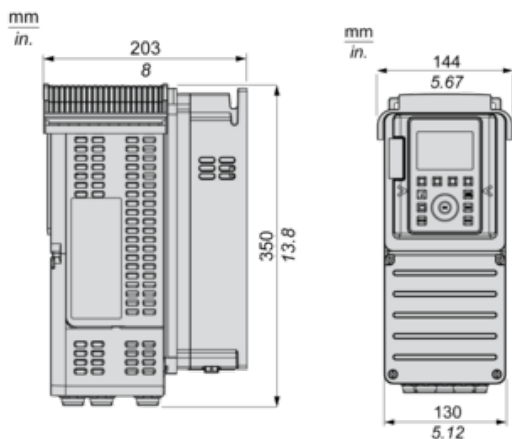
## Offer Sustainability

|                            |   |
|----------------------------|---|
| Sustainable offer status   | Green Premium product   |
| California proposition 65  | WARNING: This product can expose you to chemicals including: Lead and lead compounds, which is known to the State of California to cause cancer and birth defects or other reproductive harm. For more information go to <a href="http://www.P65Warnings.ca.gov">www.P65Warnings.ca.gov</a> |
| REACH Regulation           | <a href="#">REACH Declaration</a>   |
| EU RoHS Directive          | Pro-active compliance (Product out of EU RoHS legal scope)  |
| Mercury free               | Yes   |
| China RoHS Regulation      | <a href="#">China RoHS Declaration</a>  |
| RoHS exemption information | <a href="#">Yes</a>   |
| Environmental Disclosure   | <a href="#">Product Environmental Profile</a>   |
| Circularity Profile        | <a href="#">End Of Life Information</a>   |
| WEEE                       | The product must be disposed on European Union markets following specific waste collection and never end up in rubbish bins.  |
| Upgradeability             | Upgraded components available   |

Dimensions

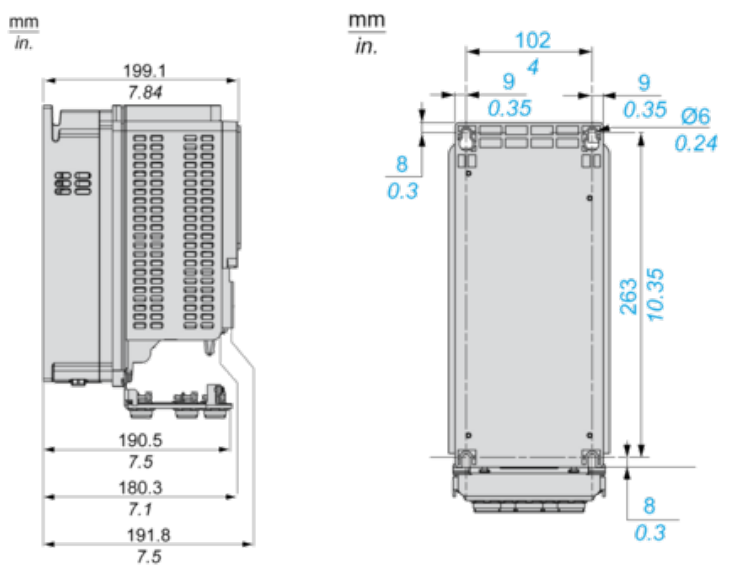
Drives with IP21 Top Cover

Right and Front Views

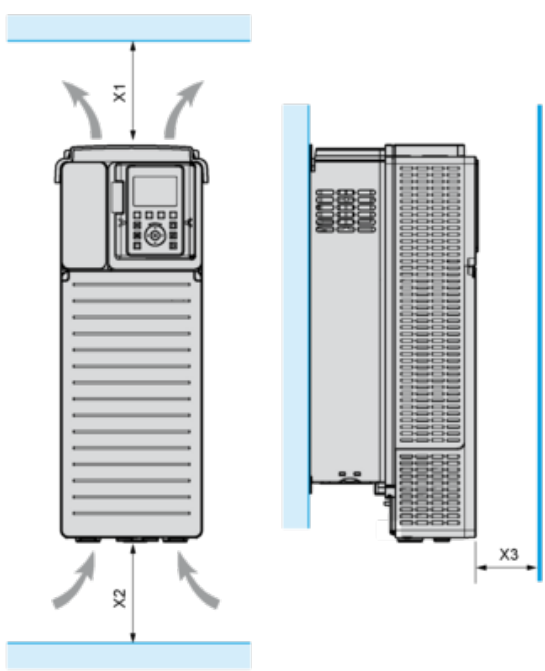


Drives Without IP21 Top Cover

Left and Rear Views



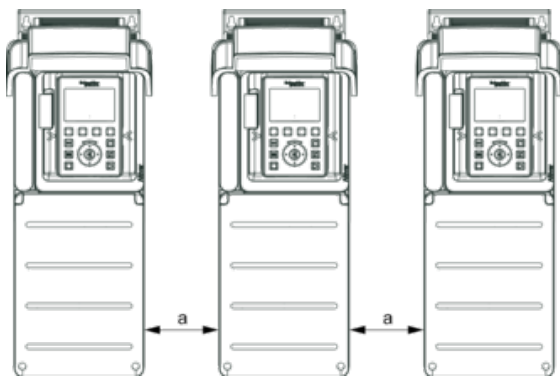
Clearances



| X1                  | X2                  | X3                 |
|---------------------|---------------------|--------------------|
| ≥ 100 mm (3.94 in.) | ≥ 100 mm (3.94 in.) | ≥ 10 mm (0.39 in.) |

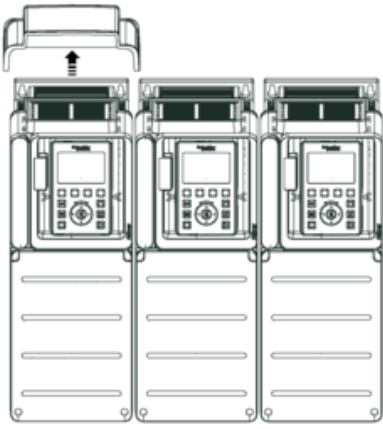
Mounting Types

Mounting Type A: Individual IP21

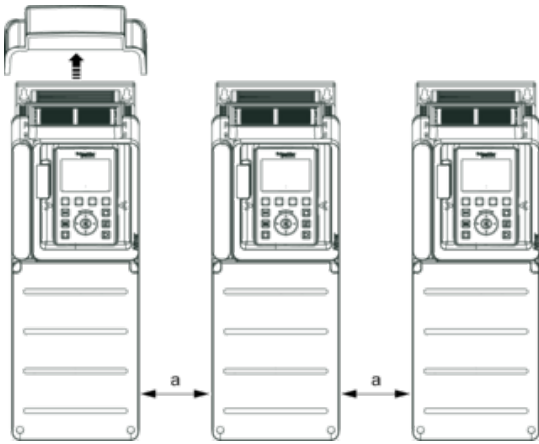


a ≥ 100 mm (3.94 in.)

Mounting Type B: Side by Side IP20



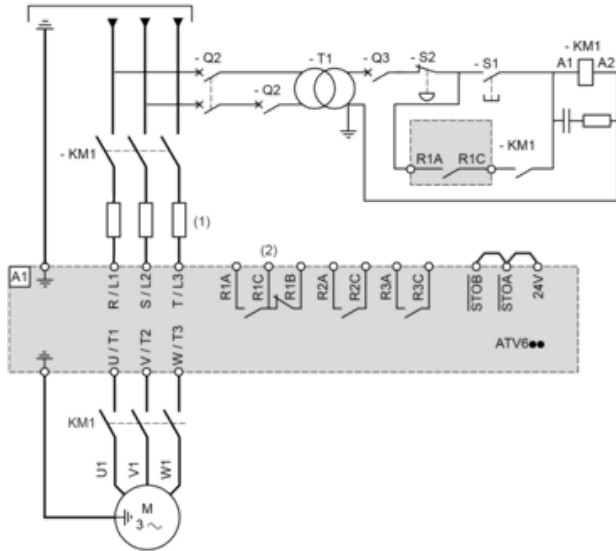
Mounting Type C: Individual IP20



$a \geq 0$

Three-Phase Power Supply with Upstream Breaking via Line Contactor

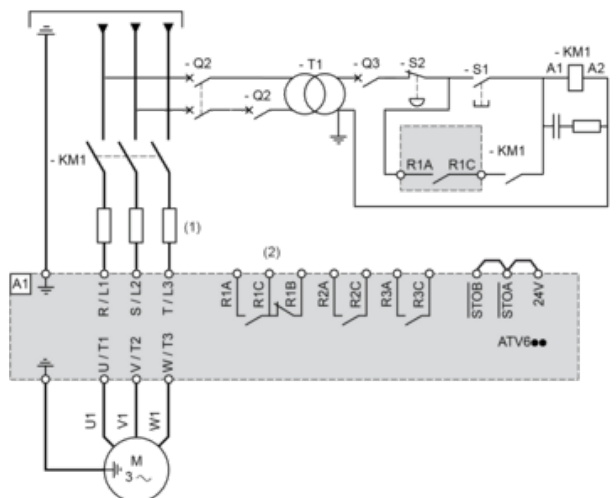
Connection diagrams conforming to standards EN 954-1 category 1 and IEC/EN 61508 capacity SIL1, stopping category 0 in accordance with standard IEC/EN 60204-1



- (1) Line choke if used
- (2) Use relay R1 set to operating state Fault to switch Off the product once an error is detected.
- A1 : Drive
- KM1 : Line Contactor
- Q2, Q3 : Circuit breakers
- S1, S2 : Pushbuttons
- T1 : Transformer for control part

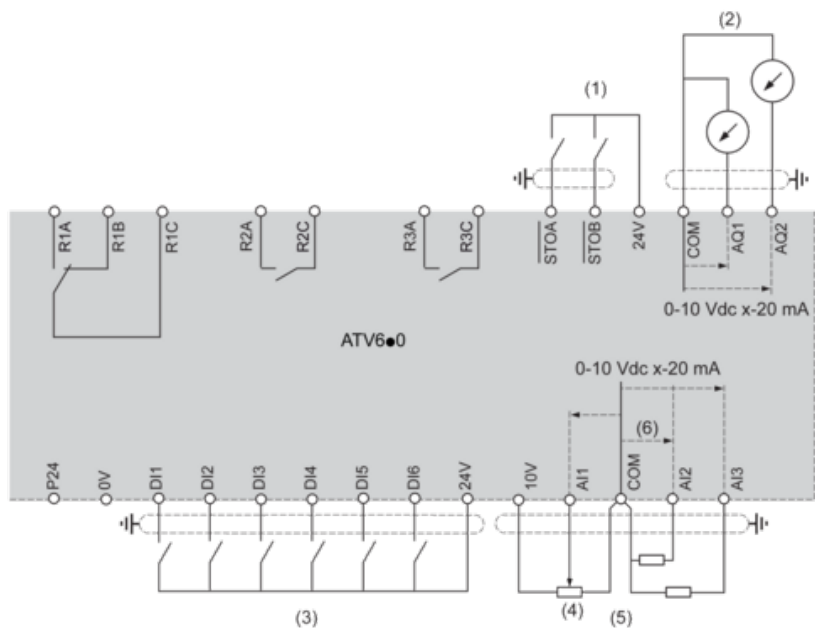
Three-Phase Power Supply with Downstream Breaking via Contactor

Connection diagrams conforming to standards EN 954-1 category 1 and IEC/EN 61508 capacity SIL1, stopping category 0 in accordance with standard IEC/EN 60204-1



- (1) Line choke if used
- (2) Use relay R1 set to operating state Fault to switch Off the product once an error is detected.
- A1 : Drive
- KM1 : Contactor

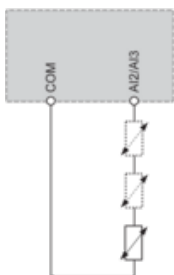
## Control Block Wiring Diagram



- (1) Safe Torque Off
- (2) Analog Output
- (3) Digital Input
- (4) Reference potentiometer
- (5) Analog Input
- R1A, R1B, R1C : Fault relay
- R2A, R2C : Sequence relay
- R3A, R3C : Sequence relay

## Sensor Connection

It is possible to connect either 1 or 3 sensors on terminals AI2 or AI3.

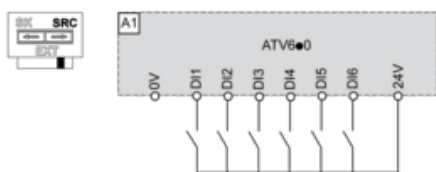


## Sink / Source Switch Configuration

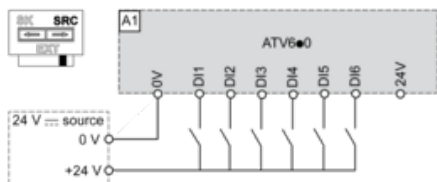
The switch is used to adapt the operation of the logic inputs to the technology of the programmable controller outputs.

- Set the switch to Source (factory setting) if using PLC outputs with PNP transistors.
- Set the switch to Ext if using PLC outputs with NPN transistors.

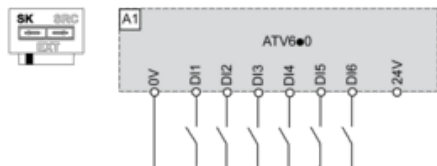
## Switch Set to SRC (Source) Position Using the Output Power Supply for the Digital Inputs



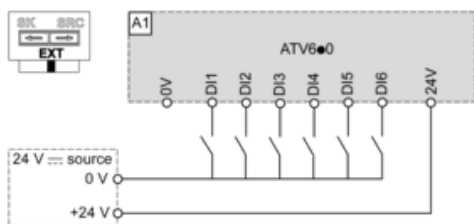
Switch Set to SRC (Source) Position and Use of an External Power Supply for the DIs



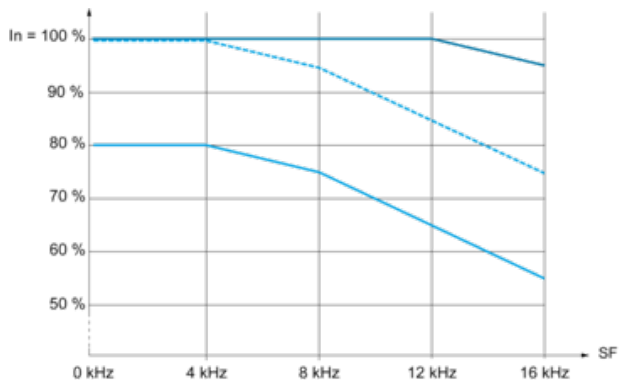
Switch Set to SK (Sink) Position Using the Output Power Supply for the Digital Inputs



Switch Set to EXT Position Using an External Power Supply for the DIs



Derating Curves



- 40 °C (104 °F) - Mounting type A, B and C
- 50 °C (122 °F) - Mounting type A, B and C
- 60 °C (140 °F) - Mounting type B and C

In : Nominal Drive Current

SF : Switching Frequency