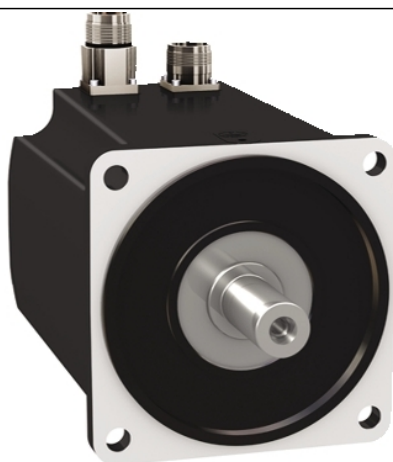


BMH1402P02F1A

servo motor BMH - 18.5 Nm - 4000 rpm -
untapped shaft - with brake - IP54



Main

Product or component type	Servo motor
Device short name	BMH
Maximum mechanical speed	4000 rpm
Continuous stall torque	163.74 lbf.in (18.5 N.m) LXM32.D72N4 24 A, 400 V, three phase 163.74 lbf.in (18.5 N.m) LXM32.D72N4 24 A, 480 V, three phase
Peak stall torque	445.19 lbf.in (50.3 N.m) LXM32.D72N4 24 A, 400 V, three phase 445.19 lbf.in (50.3 N.m) LXM32.D72N4 24 A, 480 V, three phase
Nominal output power	3500 W LXM32.D72N4 24 A, 400 V, three phase 3500 W LXM32.D72N4 24 A, 480 V, three phase
Nominal torque	107.98 lbf.in (12.2 N.m) LXM32.D72N4 24 A, 400 V, three phase 107.98 lbf.in (12.2 N.m) LXM32.D72N4 24 A, 480 V, three phase
Nominal speed	3000 rpm LXM32.D72N4 24 A, 400 V, three phase 3000 rpm LXM32.D72N4 24 A, 480 V, three phase
Product compatibility	LXM32.D72N4 400...480 V three phase
Shaft end	Smooth shaft
IP degree of protection	IP54 standard
Speed feedback resolution	131072 points/turn x 4096 turns
Holding brake	With
Mounting support	International standard flange
Electrical connection	Straight connectors

Complementary

Range compatibility	Lexium 32
[Us] rated supply voltage	480 V
Phase	Three phase
Continuous stall current	16.83 A
Continuous power	4.44 W
Maximum current Irms	57.4 A LXM32.D72N4
Maximum permanent current	57.4 A
Second shaft	Without second shaft end
Shaft diameter	0.94 in (24 mm)
Shaft length	1.97 in (50 mm)
Feedback type	Multiturn SinCos Hiperface
Holding torque	159.31 lbf.in (18 N.m) holding brake
Motor flange size	5.51 in (140 mm)
Number of motor stacks	2
Torque constant	1.1 N.m/A 248 °F (120 °C)
Back emf constant	70.7 V/krpm 248 °F (120 °C)
Number of motor poles	10
Rotor inertia	33.5 kg.cm ²
Stator resistance	0.23 Ohm 68 °F (20 °C)

Stator inductance	3 mH 68 °F (20 °C)
Stator electrical time constant	13 ms 68 °F (20 °C)
Maximum radial force Fr	2240 N 1000 rpm 1780 N 2000 rpm 1550 N 3000 rpm
Maximum axial force Fa	0.2 x Fr
Brake pull-in power	18 W
Type of cooling	Natural convection
Length	8.94 in (227 mm)
Centring collar diameter	5.12 in (130 mm)
Centring collar depth	0.14 in (3.5 mm)
Number of mounting holes	4
Mounting holes diameter	0.43 in (11 mm)
Circle diameter of the mounting holes	6.50 in (165 mm)
Net weight	31.53 lb(US) (14.3 kg)

Ordering and shipping details

Category	18282 - LEXIUM 32 MOTORS
Discount Schedule	PC53
GTIN	03606485207551
Nbr. of units in pkg.	1
Package weight(Lbs)	1 lb(US) (0.45 kg)
Returnability	No
Country of origin	DE

Packing Units

Unit Type of Package 1	PCE
Package 1 Height	10.24 in (26 cm)
Package 1 width	7.87 in (20 cm)
Package 1 Length	23.62 in (60 cm)

Offer Sustainability

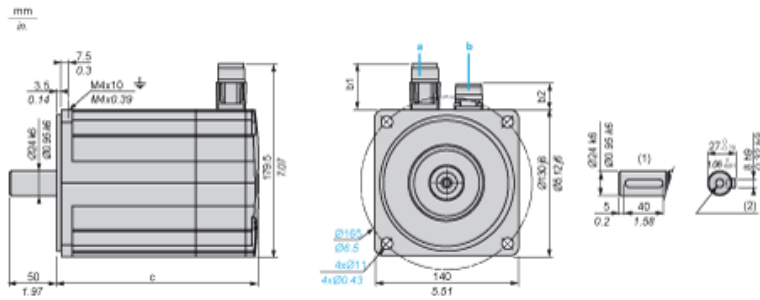
Sustainable offer status	Green Premium product
California proposition 65	WARNING: This product can expose you to chemicals including: Lead and lead compounds, which is known to the State of California to cause cancer and birth defects or other reproductive harm. For more information go to www.P65Warnings.ca.gov
REACH Regulation	REACH Declaration
EU RoHS Directive	Pro-active compliance (Product out of EU RoHS legal scope) EU RoHS Declaration
Mercury free	Yes
RoHS exemption information	Yes
China RoHS Regulation	China RoHS Declaration
Environmental Disclosure	Product Environmental Profile
WEEE	The product must be disposed on European Union markets following specific waste collection and never end up in rubbish bins.
PVC free	Yes

Contractual warranty

Warranty	18 months
----------	-----------

Servo Motors Dimensions

Example with Straight Connectors



- a: Power supply for servo motor brake
- b: Power supply for servo motor encoder
- (1) Shaft end, keyed slot (optional)
- (2) For screw M8 x 25 mm/M8 x 0.98 in.

Dimensions in mm

Straight connectors		Rotatable angled connectors		c (without brake)	c (with brake)
b	b1	b	b1		
39.5	25.5	39.5	39.5	192	227

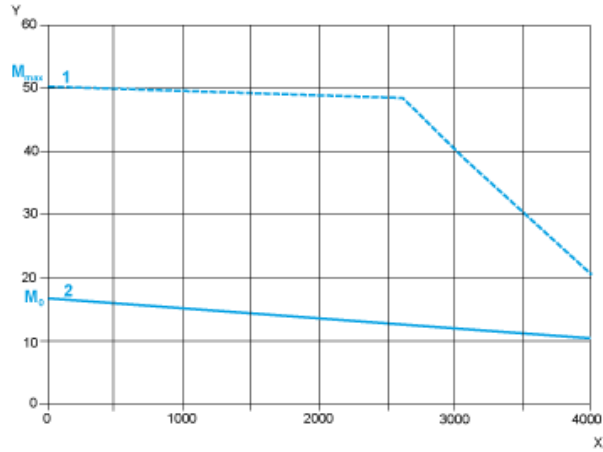
Dimensions in in.

Straight connectors		Rotatable angled connectors		c (without brake)	c (with brake)
b	b1	b	b1		
1.55	1.00	1.55	1.55	7.55	8.93

400 V 3-Phase Supply Voltage

Torque/Speed Curves

Servo motor with LXM32•D72N4 servo drive

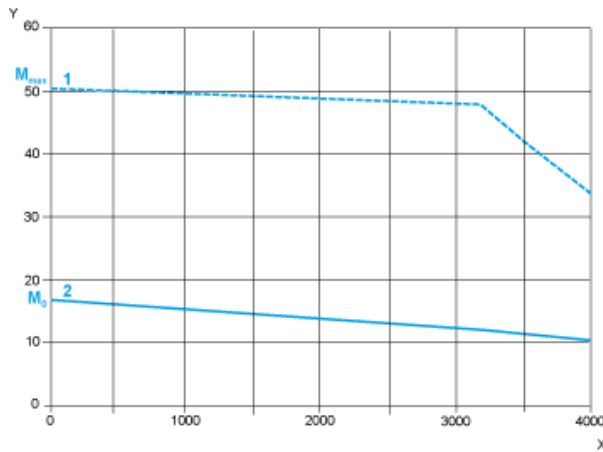


- X Speed in rpm
- Y Torque in Nm
- 1 Peak torque
- 2 Continuous torque

480 V 3-Phase Supply Voltage

Torque/Speed Curves

Servo motor with LXM32•D72N4 servo drive



- X Speed in rpm
- Y Torque in Nm
- 1 Peak torque
- 2 Continuous torque