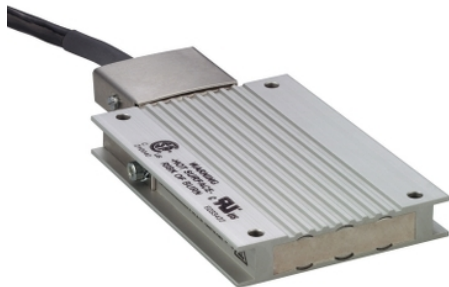


Product data sheet

Characteristics

VW3A7601R07

braking resistor - 10 ohm - 400 W - cable 0.75 m - IP65



Main

Range of Product	Lexium Altivar
Range Compatibility	Lexium 28 Lexium 05 Lexium 32i Lexium 15 Lexium 52 Lexium 32
Product or Component Type	Braking resistor
Ohmic value	10 Ohm

Complementary

Energy peak	7300 J 400 V 7300 J 480 V 13300 J 230 V 18800 J 115 V
Continuous power	400 W
Protection Type	Thermal protection via the servo drive
Net Weight	3.13 lb(US) (1.42 kg)
Cable length	2.46 ft (0.75 m)

Environment

IP Degree of Protection	IP65
Ambient Air Temperature for Storage	-13...185 °F (-25...85 °C)
Ambient Air Temperature for Operation	32...122 °F (0...50 °C)

Ordering and shipping details

Category	18263-LEXIUM 32 ACCESSORIES
Discount Schedule	PC51
GTIN	3389119207089
Returnability	No
Country of origin	DE

Packing Units

Unit Type of Package 1	PCE
Number of Units in Package 1	1
Package 1 Height	1.77 in (4.500 cm)
Package 1 Width	15.75 in (40.000 cm)
Package 1 Length	5.12 in (13.000 cm)
Package 1 Weight	3.17 lb(US) (1.438 kg)

Offer Sustainability

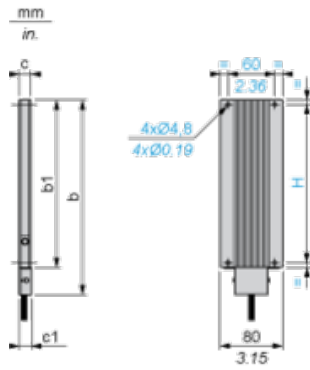
California proposition 65	WARNING: This product can expose you to chemicals including: Lead and lead compounds, which is known to the State of California to cause cancer and birth defects or other reproductive harm. For more information go to www.P65Warnings.ca.gov
REACH Regulation	REACH Declaration
REACH free of SVHC	Yes
EU RoHS Directive	Pro-active compliance (Product out of EU RoHS legal scope) EU RoHS Declaration
Toxic heavy metal free	Yes
Mercury free	Yes
China RoHS Regulation	China RoHS Declaration
RoHS exemption information	Yes

Contractual warranty

Warranty	18 months
----------	-----------

Braking Resistor

Dimensions



Dimensions in mm

b	b1	c	c1	H
257	216	30	-	204

Dimensions in in.

b	b1	c	c1	H
10.11	8.50	1.18	-	8.03