

# Type 3R Painted Galvanized Steel Junction Box

## C3RESCNK Series

Screw Cover and without Knockouts



### Application

- Designed for use as a wiring/junction box.
- Provides protection against rain, sleet, snow and dripping water.

### Standards

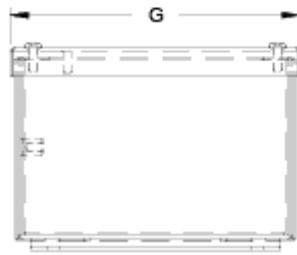
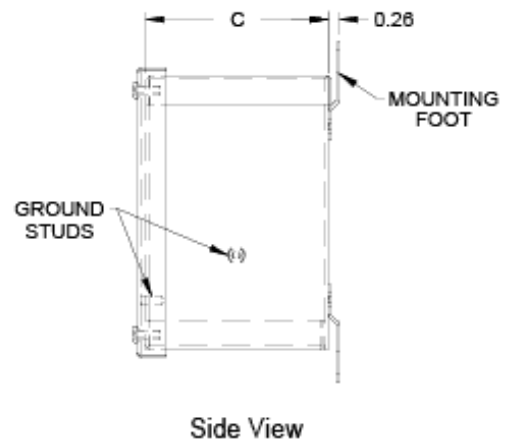
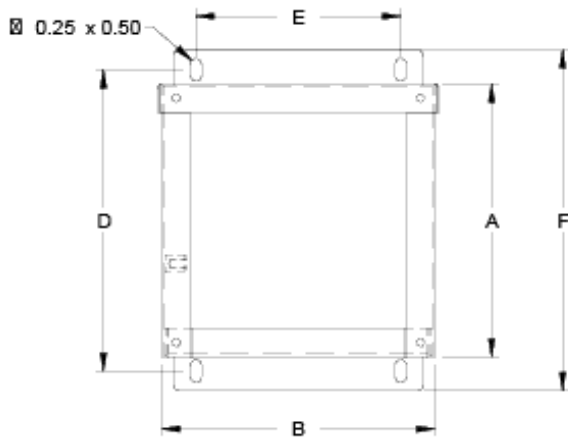
- UL-50 Type 3R
- CSA Type 3R
- Complies with:
  - NEMA Type 3R
  - IEC 60529, IP24

### Construction

- Formed and spot welded from 16 or 14 gauge galvanized steel.
- Drip-shield top and seam-free sides, front and back.
- Slip-on removable cover fastened with plated steel screws.
- External mounting feet
- Oil resistant gaskets are permanently secured
- A bonding stud is provided on the door and a grounding stud is provided in the box.

### Finish

- Enclosure and cover are finished in ANSI 61 gray powder coating.



Part No.	Overall Dimensions			Mounting		Overall Dim.		Body Gauge	Shipping Wt. lbs
	A	B	C	D	E	F	G		
C3R664ESCNC	6.00	6.00	4.00	6.63	4.50	7.50	6.38	16	5
C3R884ESCNC	8.00	8.00	4.00	8.63	6.50	9.50	8.38	16	7
C3R886ESCNC	8.00	8.00	6.00	8.63	6.50	9.50	8.38	16	8
C3R10104ESCNC	10.00	10.00	4.00	10.63	8.50	11.50	10.38	16	9
C3R10106ESCNC	10.00	10.00	6.00	10.63	8.50	11.50	10.38	16	10
C3R12124ESCNC	12.00	12.00	4.00	12.63	10.50	13.50	12.38	16	11
C3R12126ESCNC	12.00	12.00	6.00	12.63	10.50	13.50	12.38	16	13
C3R16166ESCNC	16.00	16.00	6.00	16.63	14.50	17.50	16.38	16	19
C3R18186ESCNC	18.00	18.00	6.00	18.63	16.50	19.50	18.38	16	20
C3R24246ESCNC	24.00	24.00	6.00	24.63	22.50	25.50	24.44	14	43

Data subject to change without notice