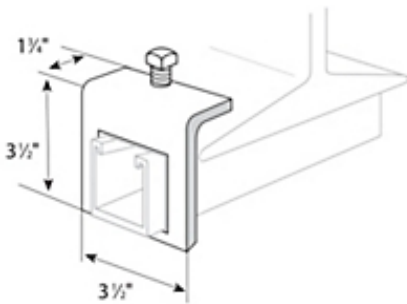




Actual



Line Art

**Catalog Number:** A597 HDG  
**Product ID:** 7TAA005730R0004  
**UPC Number:** 61601329252  
**Status:** A

Clamp, Channel to Beam, Clamp Size 3-1/2 Inches x 3-1/2 Inches, Channel Size 1-11/16 Inches x 1-11/16 Inches, Hot-Dip Galvanized Steel, For use with Channel Series B-900, B-905, and B-995

### North American Specifications (UNSPSC)

UNSPSC	31162905 Beam clamps
IGCC	3063 Beam clamps
Brand Name	Superstrut
Type	Beam Clamps (Series 500)
Application	For use with A Series Channel.
Material	Steel
Finish	Hot-Dip Galvanized

### European Specifications (ETIM)

ETIM	EC000474 Screw clamp
Material	Steel
Material quality	Other
Surface protection	Hot dip galvanized

### Packaging

Outer Quantity	25
Outer Dimensions (inches)	13x8x5.4
Weight Uom	108.38 lbs. per 100

### Documents / Support Tools

Technical Drawing / Data Sheet Canada Available on Website

**For further technical assistance, please contact us...**

ABB Installation Products Canada  
 700, Thomas Avenue  
 Saint-Jean-sur-Richelieu, QC  
 J2X 2M9  
[www.tnb.ca](http://www.tnb.ca)

ABB Installation Products Technical Support  
<http://www.tnb.ca/en/contactus/?id=ALL>

Hours: 7h00 - 18h00  
 Monday-Friday