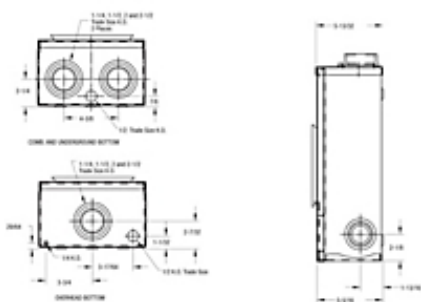




Representative



Line Art

Catalog Number: BQ2-TCV-CR
Product ID: 7TBA050460R0002
UPC Number: 62487101223
Status: A

Meter socket standard enclosure 200 amperes 600 volts. 4 jaw. Combination overhead-underground. Corrosion Resistant

North American Specifications (UNSPSC)

UNSPSC	39121102 Meter centers or sockets
IGCC	4325 Residential Single Meter Sockets
Brand Name	Microelectric
Type	Meter Sockets
Special Features	Supplied with screw type ring
Application	For overhead/underground installation
Standard	CSA 27716
Voltage Rating	600 V
Phase	1 Phase
Size	15-5/8 Inches Height x 8-47/64 Inches Width x 5-13/32 Inches Depth
Enclosure	Weatherproof Type 3R

Packaging

Outer Quantity	1
Outer Dimensions (inches)	8.75x5.41x15.63
Weight Uom	11.9 lbs. Each

Documents / Support Tools

Technical Drawing / Data Sheet Canada Available on Website

For further technical assistance, please contact us...

ABB Installation Products Canada
 700, Thomas Avenue
 Saint-Jean-sur-Richelieu, QC
 J2X 2M9
www.tnb.ca

ABB Installation Products Technical Support
<http://www.tnb.ca/en/contactus/?id=ALL>

Hours: 7h00 - 18h00
 Monday-Friday