



## Main

Range of product	Harmony Relay
Product or component type	Solid state relay
Device short name	SSM1
Number of phases	1 phase

## Complementary

Mounting support	Symmetrical DIN rail
[In] rated current	55 A
Output voltage	48...660 V AC
[Uc] control circuit voltage	4...32 V DC
Contacts type and configuration	1 NO
Tightening torque	0.6...0.7 N.m input 1.36...1.7 N.m output
Connections - terminals	Screw terminals 1 x 0.2...1 x 3.3 mm <sup>2</sup> , AWG 24...AWG 12) input Screw terminals 1 x 0.2...1 x 8.4 mm <sup>2</sup> , AWG 24...AWG 8) output
Maximum capacitance	8 pF input/output
Insulation resistance	1000 MOhm 500 V DC
Local signalling	Input status LED (green)
Switching voltage	4 V DC turn-on 1 V DC turn-off
Input current	14...17 mA
Solid state output type	SCR output Zero voltage switching
Load current	0.15...55 A
Transient overvoltage	1200 V
Surge current	1000 A 16.6 ms
Maximum voltage drop	<1.7 V on-state

Disclaimer: This documentation is not intended as a substitute for and is not to be used for determining suitability or reliability of these products for specific user applications

Maximum I <sup>2</sup> t for fusing	4150 A <sup>2</sup> .s 8.3 ms
Maximum leakage current	1 mA off-state
DV/Dt	500 V/μs off-state at maximum voltage
Response time	0.5 cycle turn-on) 0.5 cycle turn-off)
Overvoltage category	III
Net weight	1.05 lb(US) (0.476 kg)

## Environment

Dielectric strength	4 kV AC input/output 4 kV AC input or output to case
Pollution degree	2
Standards	UL 508 IEC 60950-1 CSA C22.2 No 14
Product certifications	UL CSA EAC
Marking	UL EAC CE CSA
IP degree of protection	IP20
Ambient air temperature for operation	-40...176 °F (-40...80 °C)
Ambient air temperature for storage	-40...257 °F (-40...125 °C)

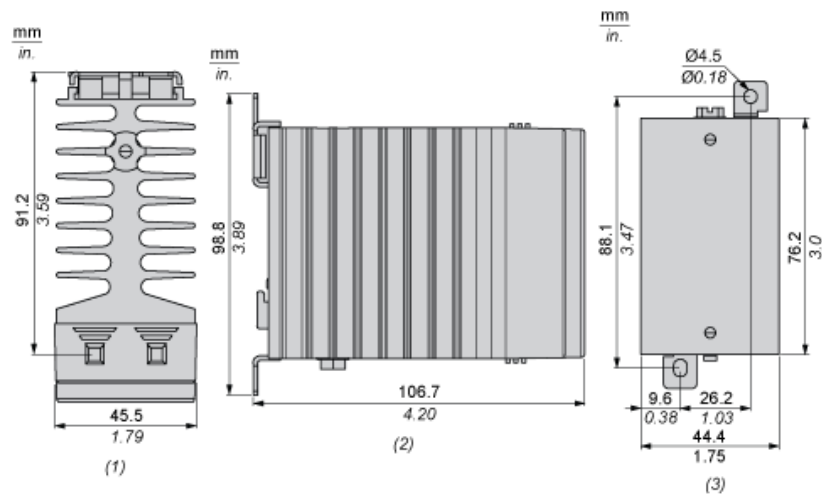
## Packing Units

Package 1 Weight	1.14 lb(US) (0.517 kg)
Package 1 Height	0.600 dm
Package 1 width	1.100 dm
Package 1 Length	1.180 dm

## Offer Sustainability

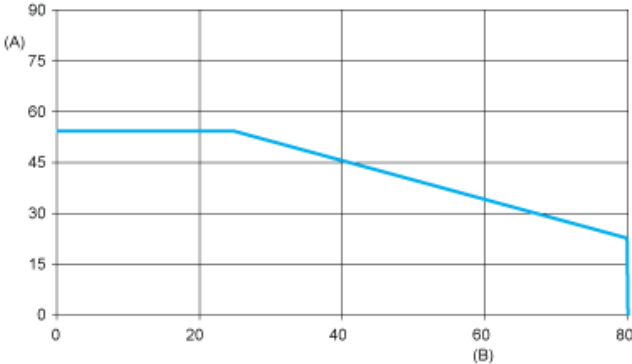
Sustainable offer status	Green Premium product
REACH Regulation	<a href="#">REACH Declaration</a>
EU RoHS Directive	Pro-active compliance (Product out of EU RoHS legal scope) <a href="#">EU RoHS Declaration</a>
Mercury free	Yes
RoHS exemption information	<a href="#">Yes</a>
China RoHS Regulation	<a href="#">China RoHS declaration</a>
Environmental Disclosure	<a href="#">Product Environmental Profile</a>
Circularity Profile	<a href="#">End of Life Information</a>
WEEE	The product must be disposed on European Union markets following specific waste collection and never end up in rubbish bins

## Dimensions



- (1) Top view
- (2) Side view
- (3) Front view

Derating Curves



A : Load Current (Amperes)  
B : Ambient Temperature (°C)