



Main

Range of Product	Modicon Power Supply
Product or Component Type	Power supply
Power supply type	Regulated switch mode
Variant option	Optimized
Enclosure Material	Plastic
Nominal input voltage	100...240 V AC single phase 100...240 V AC phase to phase 140...340 V DC
Kw Rating	75 W
Output voltage	24 V DC
Power supply output current	3.13 A

Complementary

Efficiency at full load	85...264 V AC without temperature derating 120...375 V DC without temperature derating 85...120 V DC with temperature derating
Nominal network frequency	50...60 Hz
Network system compatibility	TN TT IT
Maximum leakage current	1 mA 240 V AC
Input protection type	Integrated fuse (not interchangeable) 5 A External protection (recommended) 20 A Curve C External protection (recommended) 13 A Curve B External protection (recommended) 10 A Curve C
Inrush current	40.0 A 115 V 80.0 A 230 V
Power factor	0.55 at 115 V AC 0.45 at 230 V AC
Efficiency	88 % 230 V AC
Output voltage adjustment	21.6...26.4 V
Power dissipation in W	15 W
Current consumption	< 1.8 A 115 V AC < 1 A 230 V AC < 0.8 A 140 V DC
Turn-on time	< 1.2 s
Holding time	> 20 ms 115 V AC > 40 ms 230 V AC
Startup with capacitive loads	5000 µF
Residual ripple	< 120 mV
Meantime between failure [MTBF]	700000 h at 77 °F (25 °C), full load conforming to SR 332
Output protection type	Against overload and short-circuits automatic reset Against over temperature manual reset Against overvoltage manual reset
Connections - terminals	Screw connection 0.5...2.5 mm ² , AWG 20...AWG 14) output Screw connection 0.75...2.5 mm ² , AWG 18...AWG 14) input
Line and load regulation	< 0.5 % network 0 to 100 % load at 77 °F (25 °C) < 1 % network full voltage range in line at 77 °F (25 °C)
Status LED	1 LED (Green) output voltage
Depth	4.02 in (102 mm)

The information provided in this documentation contains general descriptions and/or technical characteristics of the performance of the products contained herein. This documentation is not intended as a substitute for and is not to be used for determining suitability or reliability of these products for specific user applications. It is the duty of any such user or integrator to perform the appropriate and complete risk analysis, evaluation and testing of the products with respect to the relevant specific application or use thereof. Neither Schneider Electric Industries SAS nor any of its affiliates or subsidiaries shall be responsible or liable for misuse of the information contained herein.

Height	4.87 in (123.6 mm)
Width	1.06 in (27 mm)
Net Weight	0.49 lb(US) (0.22 kg)
Output coupling	Parallel Serial
Mounting support	Top hat type TH35-15 rail IEC 60715 Top hat type TH35-7.5 rail IEC 60715 Double-profile DIN rail
Supply	SELV IEC 60950-1 SELV IEC 60204-1 SELV IEC 60364-4-41
Dielectric strength	3000 V AC with input to output
Service life	10 year(s)
Overvoltage category	II

Environment

Standards	IEC 62368-1 EN/IEC 61010-1 EN 61010-2-201 EN/IEC 61204-3 IEC 61000-6-1 IEC 61000-6-2 IEC 61000-6-3 IEC 61000-6-4 IEC 61000-3-2 EN 61000-3-3 UL 62368-1 UL 61010-1 UL 61010-2-201 CSA C22.2 No 62368-1 CSA C22.2 No 61010-1 CSA C22.2 No 61010-2-201 EN/IEC 62368-1
Product certifications	CE[RETURN]CUL Listed[RETURN]CUL Recognized[RETURN]RCM[RETURN]CB Scheme[RETURN]EAC[RETURN]KC[RETURN]NEC class 2
Operating altitude	< 5000 m
Shock resistance	150 m/s ² 11 ms
IP degree of protection	IP20
Ambient air temperature for operation	-4...14 °F (-20...-10 °C) with current derating of 1 % per °C mounting position A < 6561.68 ft (2000 m) 14...104 °F (-10...40 °C) without derating mounting position A 115 V AC < 6561.68 ft (2000 m) 14...122 °F (-10...50 °C) without derating mounting position A 230 V AC < 6561.68 ft (2000 m) 104...158 °F (40...70 °C) with current derating of 1.67 % per °C mounting position A 115 V AC < 6561.68 ft (2000 m) 122...158 °F (50...70 °C) with current derating of 2.5 % per °C mounting position A 230 V AC < 6561.68 ft (2000 m)
Electrical shock protection class	Class I
Pollution degree	2
Vibration resistance	3 mm 2...9 Hz)IEC 60068-2-6 10 m/s ² 9...200 Hz)IEC 60068-2-6

Electromagnetic immunity	<p>Immunity to electrostatic discharge - test level: 8 kV (contact discharge) conforming to IEC 61000-4-2</p> <p>Immunity to electrostatic discharge - test level: 15 kV (air discharge) conforming to IEC 61000-4-2</p> <p>Immunity to conducted RF disturbances - test level: 15 V/m (80 MHz...2 GHz) conforming to IEC 61000-4-3</p> <p>Immunity to conducted RF disturbances - test level: 5 V/m (2...2.7 GHz) conforming to IEC 61000-4-3</p> <p>Immunity to conducted RF disturbances - test level: 5 V/m (2.7...6 GHz) conforming to IEC 61000-4-3</p> <p>Immunity to fast transients - test level: 4 kV (on input-output) conforming to IEC 61000-4-4</p> <p>Surge immunity test - test level: 4 kV (between power supply and earth) conforming to IEC 61000-4-5</p> <p>Surge immunity test - test level: 3 kV (between phases) conforming to IEC 61000-4-5</p> <p>Immunity to conducted RF disturbances - test level: 15 V (0.15...80 MHz) conforming to IEC 61000-4-6</p> <p>Immunity to magnetic fields - test level: 30 A/m (50...60 Hz) conforming to IEC 61000-4-8</p> <p>Immunity to voltage dips conforming to IEC 61000-4-11</p> <p>Disturbing field emission conforming to EN 55016-2-3</p> <p>Limits for harmonic current emissions conforming to IEC 61000-3-2</p> <p>Conforming to EN 55016-1-2</p> <p>Conforming to EN 55016-2-1</p>
Electromagnetic emission	<p>Conducted emissions IEC 61000-6-3</p> <p>Radiated emissions IEC 61000-6-4</p>

Ordering and shipping details

Category	22525-ABL8 AND ABL7 POWER SUPPLIE
Discount Schedule	CP12
GTIN	3606481500205
Returnability	Yes
Country of origin	TH

Packing Units

Unit Type of Package 1	PCE
Number of Units in Package 1	1
Package 1 Height	1.46 in (3.7 cm)
Package 1 Width	5.51 in (14.0 cm)
Package 1 Length	6.30 in (16.0 cm)
Package 1 Weight	10.69 oz (303.0 g)
Unit Type of Package 2	S03
Number of Units in Package 2	22
Package 2 Height	11.81 in (30.0 cm)
Package 2 Width	11.81 in (30.0 cm)
Package 2 Length	15.75 in (40.0 cm)
Package 2 Weight	16.06 lb(US) (7.283 kg)
Unit Type of Package 3	P12
Number of Units in Package 3	528
Package 3 Height	41.34 in (105.0 cm)
Package 3 Width	31.50 in (80.0 cm)
Package 3 Length	47.24 in (120.0 cm)
Package 3 Weight	424.61 lb(US) (192.6 kg)

Offer Sustainability

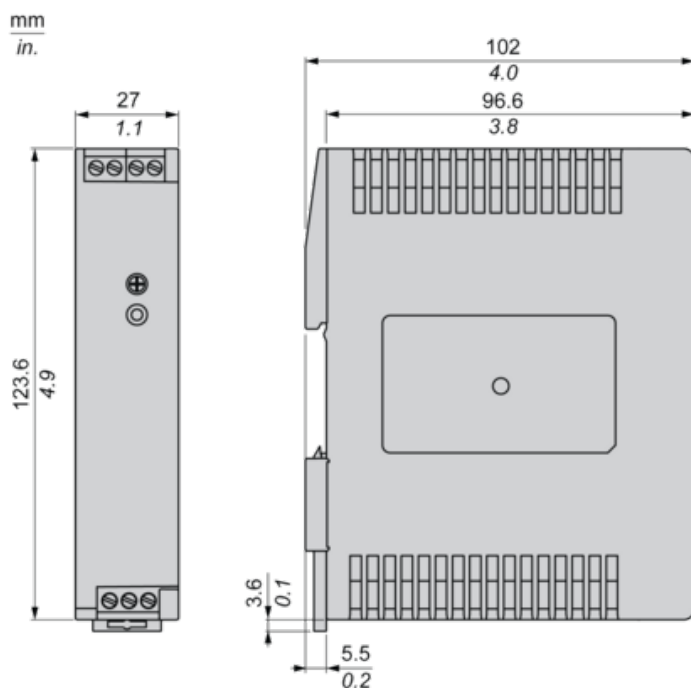
Sustainable offer status	Green Premium product
California proposition 65	WARNING: This product can expose you to chemicals including: Lead and lead compounds, which is known to the State of California to cause cancer and birth defects or other reproductive harm. For more information go to www.P65Warnings.ca.gov
REACH Regulation	REACH Declaration
EU RoHS Directive	Pro-active compliance (Product out of EU RoHS legal scope)
Mercury free	Yes
China RoHS Regulation	China RoHS Declaration
RoHS exemption information	Yes
Environmental Disclosure	Product Environmental Profile
Circularity Profile	End Of Life Information
WEEE	The product must be disposed on European Union markets following specific waste collection and never end up in rubbish bins.

Electrical Safety

- If the unit is use in a manner not specified by the manufacturer, the protection provided by the equipment may be impaired.
- For means of disconnection a switch or circuit breaker, located near the product, must be included in the installation. A marking as disconnecting device for the product is required.
- The device has an internal fuse. The unit is tested and approved with branch circuit protective device up to 20A. This circuit breaker can be used as disconnecting device.
- The power supply is only suitable for audio, video, information, communication, industrial and control equipment.

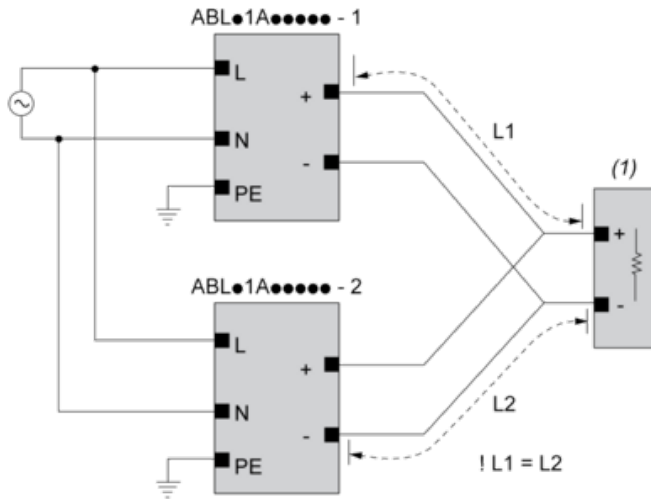
Dimensions

Front and Side Views



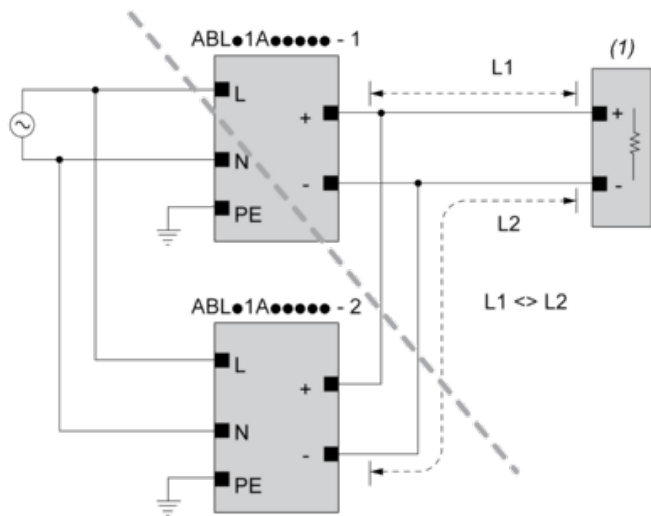
Connections and Schema

Correct Parallel Connection



(1) : Load

Incorrect Parallel Connection



(1) : Load

ABLx1Axxxxx-1 = ABLx1Axxxxx-2

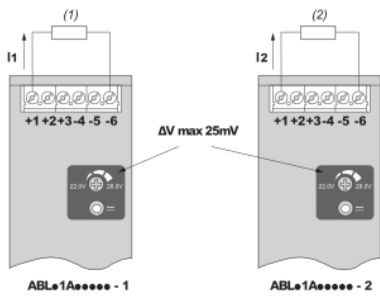
max 2 x ABLx1Axxxxx

L1 = L2

ΔV max 25 mV

$I_{Load} < 90\% \cdot 2 \cdot I_{nom}$

Output Voltage Balancing



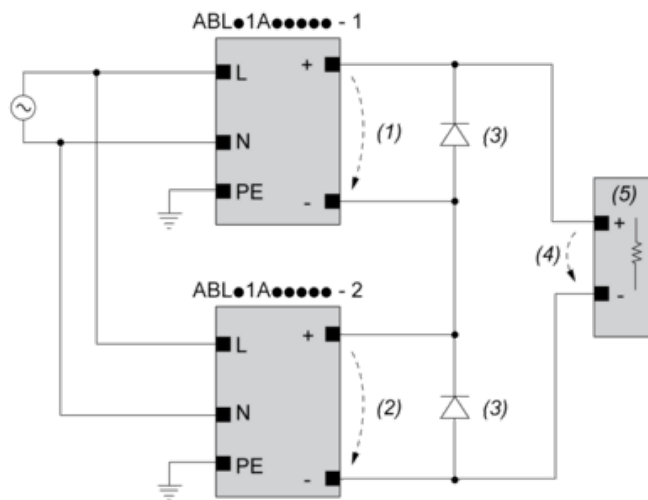
(1) : R_{Load1}

(2) : R_{Load2}

$R_{Load1} = R_{Load2}$

$I_1 = I_2 = \sim I_{nom}$

Series Connection



(1) : V_{out1}

(2) : V_{out2}

(3) : 2 x Diode, $V_{RRM} > 2 \times V_{out1/2}$, $I_F > 2 \times I_{nom1/2}$

(4) : $V_{Load} = 2 \times V_{out}$

(5) : Load

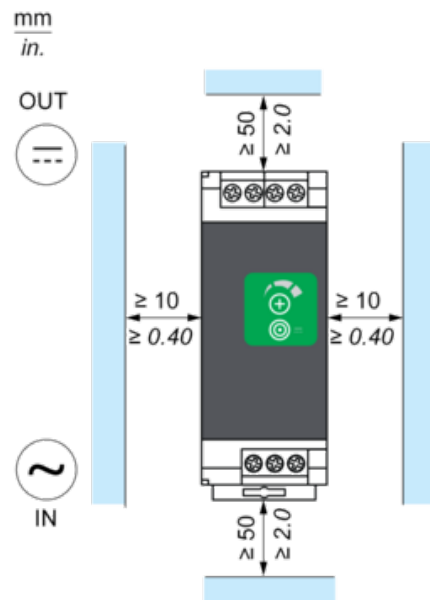
Connections and Schema

	(1)		
	<40°C	<50°C	<70°C
ABLS1A24021	50°C	60°C	75°C
ABLS1A24038	50°C	60°C	75°C
ABLS1A12062	50°C	60°C	80°C
ABLS1A24031	50°C	60°C	80°C
ABLS1A12100	60°C	70°C	90°C
ABLS1A24050	60°C	70°C	90°C
ABLS1A48025	60°C	70°C	90°C
ABLS1A24100	60°C	70°C	90°C
ABLS1A24200	95°C	95°C	90°C

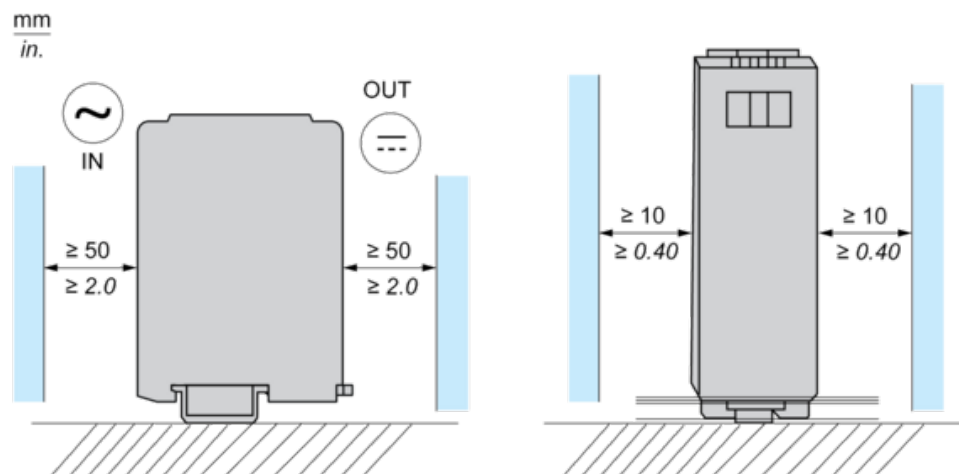
(1) : Ambient

Mounting

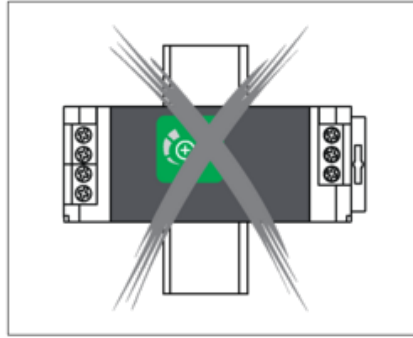
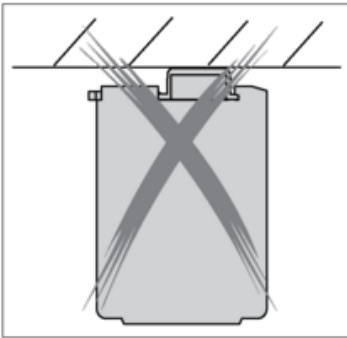
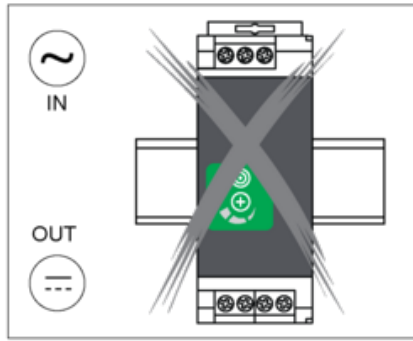
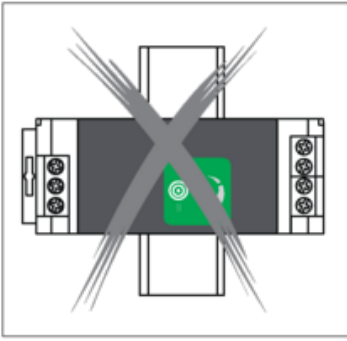
Mounting Position A



Mounting Position B

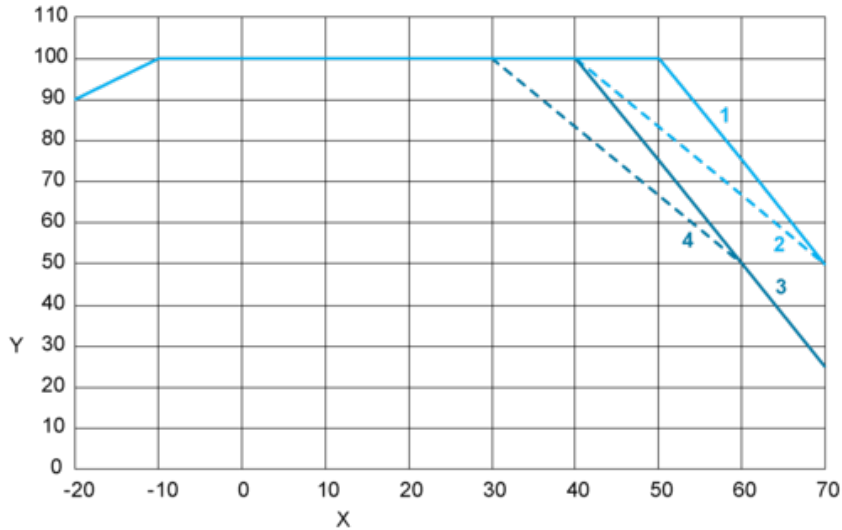


Incorrect Mounting

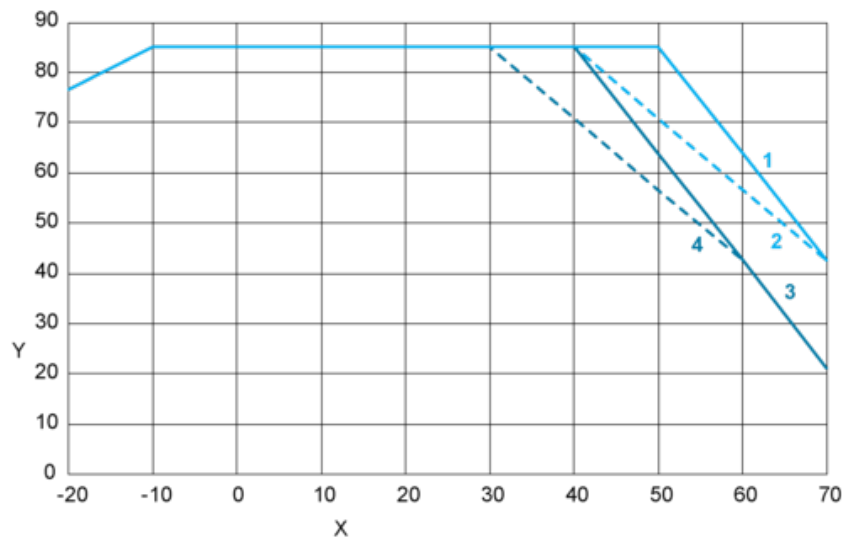


Performance Curve

Mounting Position A



Mounting Position B

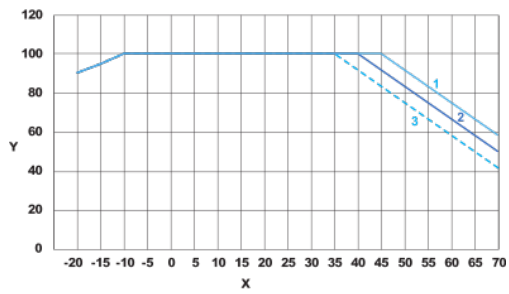


X : Surrounding Air Temperature (°C)

Y : Percentage of Maximum Load (%)

- 1 : Altitude ≤ 2000 m (6561 ft), Input voltage = 230 VAC / 325 VDC
- 2 : Altitude ≤ 2000 m (6561 ft), 115 VAC / 162 VDC
- 3 : Altitude ≤ 5000 m (16404 ft), Input voltage = 230 VAC / 325 VDC
- 4 : Altitude ≤ 5000 m (16404 ft), 115 VAC / 162 VDC

DC input voltage



X : Surrounding Air Temperature (°C)

Y : Percentage of Maximum Load (%)

1 : 110 VDC

2 : 90 VDC

3 : 85 VDC