



Main

| | |
|---------------------------|--------------------------------|
| Range of Product | Harmony 9001K |
| Product or Component Type | Head for push-button |
| Product Compatibility | Contact block 9001KA.. |
| Device short name | 9001K |
| Type of operator | push-pull |
| Operator profile | Red mushroom Ø 60 mm, unmarked |

Complementary

| | |
|---------------------------------|-------------------------------|
| Bezel material | Metal |
| Mounting diameter | 1.18 in (30 mm) |
| CAD overall width | 2.36 in (60 mm) |
| CAD overall height | 2.36 in (60 mm) |
| CAD overall depth | 2.91 in (74 mm) |
| Net Weight | 0.33 lb(US) (0.15 kg) |
| Operating position | Any position |
| Shape of signaling unit head | Round |
| Head material | Metal |
| Operator additional information | Screw-on metal with set screw |
| Operator position information | 2 positions |
| Contacts type and composition | Without contact block |
| Mechanical durability | 5000000 cycles |
| Device presentation | Basic element |
| Cap/operator or lens colour | Red |
| Operator profile | Mushroom Ø 60 mm |
| Type of operator | Push-pull |
| Size | 30 mm |

Environment

| | |
|---------------------------------------|---|
| Protective treatment | TC |
| Ambient Air Temperature for Storage | -40...158 °F (-40...70 °C) |
| Ambient Air Temperature for Operation | -13...158 °F (-25...70 °C) |
| Overvoltage category | Class II IEC 61140 |
| IP degree of protection | IP66 IEC 60529 |
| NEMA degree of protection | NEMA 1 NEMA 12 NEMA 13 NEMA 2 NEMA 3 NEMA 3R NEMA 4 NEMA 6 |

| | |
|------------------------|---|
| Standards | IEC 60947-5-1 IEC 60947-1 IEC 60947-5-4 JIS C 4520 JIS C 852 UL 508 CSA C22.2 No 14 |
| Product Certifications | NEMA[RETURN]JUL 508 |
| Vibration resistance | 7 gn 2...500 Hz)IEC 60068-2-6 |
| Shock resistance | 50 gn IEC 60068-2-27 |

Ordering and shipping details

| | |
|-------------------|-----------------------------|
| Category | 21426-9001 K (NOT KA,KM,KX) |
| Discount Schedule | CS1 |
| GTIN | 785901981480 |
| Returnability | Yes |
| Country of origin | MX |

Packing Units

| | |
|------------------------------|-------------------|
| Unit Type of Package 1 | PCE |
| Number of Units in Package 1 | 1 |
| Package 1 Height | 1.81 in (4.6 cm) |
| Package 1 Width | 2.28 in (5.8 cm) |
| Package 1 Length | 3.70 in (9.4 cm) |
| Package 1 Weight | 5.44 oz (154.2 g) |

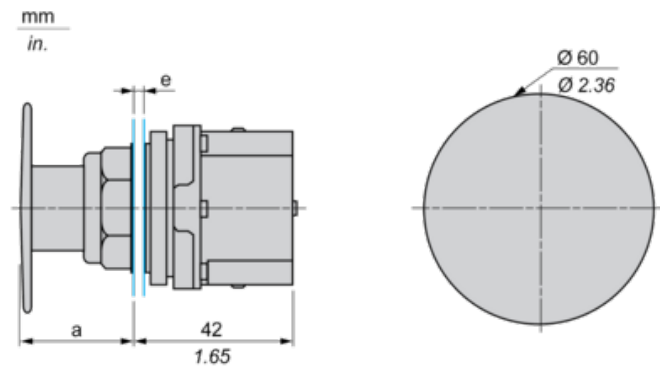
Offer Sustainability

| | |
|----------------------------|---|
| Sustainable offer status | Green Premium product |
| California proposition 65 | WARNING: This product can expose you to chemicals including: Lead and lead compounds, which is known to the State of California to cause cancer and birth defects or other reproductive harm. For more information go to www.P65Warnings.ca.gov |
| REACH Regulation | REACH Declaration |
| EU RoHS Directive | Pro-active compliance (Product out of EU RoHS legal scope) |
| Mercury free | Yes |
| China RoHS Regulation | China RoHS Declaration |
| RoHS exemption information | Yes |
| Environmental Disclosure | Product Environmental Profile |
| Circularity Profile | No need of specific recycling operations |
| WEEE | The product must be disposed on European Union markets following specific waste collection and never end up in rubbish bins. |

Contractual warranty

| | |
|----------|-----------|
| Warranty | 18 months |
|----------|-----------|

Dimensions



e panel thickness: 1 to 6 mm / 0.04 to 0.24 in.
a 28 mm / 1.10 in.

Contact Block Mounting Position

Top and Rear views



- (1) It is possible to mount up to 3 levels of contacts blocks (maximum of 6 contacts blocks)
- (2) Operator
- (3) Locating notch
- (4) Side 1
- (5) Side 2

Panel Cut-Out

Clearance



| Legend plate | a min. | | b min. | |
|--------------|--------|------|--------|------|
| | mm | in. | mm | in. |
| 9001KN2** | 57.2 | 2.25 | 57.2 | 2.25 |
| 9001KN3** | 57.2 | 2.25 | 57.2 | 2.25 |

Individual Cut-outs Details

2 alternatives

mm
in.

