

UR20-FBC-MOD-TCP-V2

Weidmüller Interface GmbH & Co. KG
 Klingenbergstraße 26
 D-32758 Detmold
 Germany

www.weidmueller.com

Product image, Similar to illustration



Similar to illustration



More performance. Simplified. u-remote.

Weidmüller u-remote – our innovative remote I/O concept with IP 20 which focuses purely on user benefits: tailored planning, faster installation, safer start-up, and no more downtime for considerably improved performance and greater productivity.

Reduce the size of your cabinets with u-remote, thanks to the narrowest modular design on the market and the need for fewer power-feed modules. Our u-remote technology offers tool-free assembly while the modular “sandwich” design and integrated web server speed up installation, both in the cabinet and machine. Status LEDs on the channel and each u-remote module enable reliable diagnosis and rapid service.

Our products boost the availability of your machines and systems, and ensure smooth processes, from planning to operation.

u-remote stands for “More Performance.” Simplified.

General ordering data

Version	Remote I/O fieldbus coupler, IP20, Ethernet, Modbus/TCP
Order No.	2476450000
Type	UR20-FBC-MOD-TCP-V2
GTIN (EAN)	4050118487367
Qty.	1 pc(s).
Replacement parts	2485280000

UR20-FBC-MOD-TCP-V2

Weidmüller Interface GmbH & Co. KG

Klingenbergstraße 26

D-32758 Detmold

Germany

www.weidmueller.com

Technical data

Dimensions and weights

Depth	76 mm	Depth (inches)	2.992 inch
Height	120 mm	Height (inches)	4.724 inch
Width	52 mm	Width (inches)	2.047 inch
Mounting dimension - height	128 mm	Net weight	223 g

Temperatures

Storage temperature	-40 °C ... +85 °C	Operating temperature	-20 °C ... +60 °C
---------------------	-------------------	-----------------------	-------------------

Connection data

Type of connection	PUSH IN	Wire connection cross section, finely stranded, max.	1.5 mm ²
Wire connection cross section, finely stranded, min.	0.14 mm ²	Wire cross-section, finely stranded, max. (AWG)	AWG 16
Wire cross-section, finely stranded, min. (AWG)	AWG 26	Wire cross-section, solid, max.	1.5 mm ²
Wire cross-section, solid, max. (AWG)	AWG 16	Wire cross-section, solid, min.	0.14 mm ²
Wire cross-section, solid, min. (AWG)	AWG 26		

General data

Air humidity (operation)	10% to 95%, non-condensing as per DIN EN 61131-2	Air humidity (storage)	10% to 95%, non-condensing as per DIN EN 61131-2
Air humidity (transport)	10% to 95%, non-condensing as per DIN EN 61131-2	Air pressure (operation)	≥ 795 hPa (height ≤ 2000 m) as per DIN EN 61131-2
Air pressure (storage)	1013 hPa (height 0 m) to 700 hPa (height 3000 m) as per DIN EN 61131-2	Air pressure (transport)	1013 hPa (height 0 m) to 700 hPa (height 3000 m) as per DIN EN 61131-2
Pollution severity	2	Rail	TS 35
Shock	15 g over 11 ms, half sinus wave, acc. to IEC 60068-2-27	Surge voltage category	II
Test voltage	500 V	UL 94 flammability rating	V-0
Vibration resistance	5 Hz ≤ f ≤ 8.4 Hz: 3.5-mm amplitude as per IEC 60068-2-6, 8.4 Hz ≤ f ≤ 150 Hz: 1 g acceleration as per IEC 60068-2-6		

Power supply

Current consumption from I _{sys} , typ.	112 mA		
Feed current for I _{IN} (input current path)	nominal	10,000 mA	
	max.	10,000 mA	
	min.	10,000 mA	
Feed current for I _{IN} (input current path), max.	10 A		
Feed current for I _{OUT} (output current path)	max.	10,000 mA	
	min.	10,000 mA	
	nominal	10,000 mA	
Feed current for I _{OUT} (output current path), max.	10 A		
Feed current for the system, max.	4 A		
Supply voltage for outputs	24 V DC +20 %/ -15 %		

Creation date November 26, 2024 11:45:51 AM CET

Catalogue status 26.11.2024 / We reserve the right to make technical changes.

2

UR20-FBC-MOD-TCP-V2

Weidmüller Interface GmbH & Co. KG
 Klingenbergstraße 26
 D-32758 Detmold
 Germany

www.weidmueller.com

Technical data

Supply voltage system and inputs	24 V DC +20 %/ -15 %
Voltage supply	24 V DC +20 %/ -15 %, via the system bus

System data

Configuration interface	Micro USB 2.0	Connection type	2x RJ45 plug-in connectors
Diagnostic data	1,024 Byte	Field bus protocol	Modbus/TCP
Fieldbus interface	Full / Half Duplex, Auto MDI/X, Autonegotiation	Interface	u-remote system bus
Module type	Bus coupler	Parameter data	1,024 Byte
Process data	1 kByte	Transmission rate of field bus, max.	100 Mbit/s
Transmission speed of system bus, max.	48 Mbit/s	max. number of modules	64

Classifications

ETIM 6.0	EC001603	ETIM 7.0	EC001603
ETIM 8.0	EC001603	ETIM 9.0	EC001603
ECLASS 9.0	27-24-26-07	ECLASS 9.1	27-24-26-07
ECLASS 10.0	27-24-26-07	ECLASS 11.0	27-24-26-07
ECLASS 12.0	27-24-26-07	ECLASS 13.0	27-24-26-07
ECLASS 14.0	27-24-26-07		

Environmental Product Compliance

RoHS Compliance Status	Compliant with exemption
RoHS Exemption (if applicable/known)	7a, 7cl
REACH SVHC	Lead 7439-92-1 6,6'-di-tert-butyl-2,2'-methylenedi-p-cresol 119-47-1
SCIP	98e19a7e-033b-4e68-93e3-c47b30de875e

Important note

Product information	The matching end brackets are included with the coupler.
---------------------	--

Approvals

Approvals

ROHS	Conform
UL File Number Search	UL Website
Certificate no. (cULus)	E141197
Certificate no. (cULusEX)	E223527

UR20-FBC-MOD-TCP-V2

Weidmüller Interface GmbH & Co. KG

Klingenbergstraße 26

D-32758 Detmold

Germany

www.weidmueller.com

Technical data

Downloads

Approval/Certificate/Document of Conformity	KC certificate Compass safe distance certificate Lloyds Register certificate DNV certificate ABS certificate RINA certificate Bureau Veritas - Type Approval Certificate PRS (Polish Register of Shipping) NIPPON KAIJI KYOKAI Certificate - ClassNK WI13ATEX0002 Power Calc DEMKO15ATEX1525X CCC certificate UR20 coupler CCC certificate CCS certificate CCS certificate UKCA Declaration of Conformity - EN CE Declaration of Conformity - DE 20211018 Security Advisory – Remote I/O fieldbus couplers (IP20) affected by INFRA:HALT vulnerabilities
Engineering Data	CAD data – STEP Compatibility information – Combinability of UR20 Quick start guide – Modbus - Understanding Coils and Register Application notes – Measuring higher voltages and currents with u-remote
Product Change Notification	Release-Notes - Firmware and Supported modules list
Software	WI-Manager, DTM-Library for online installation Library and function block – Language_Pack_UR20_FBC Firmware – Archiv Firmware files Modbus V2 coupler Firmware – Current Firmware file Modbus V2 coupler Driver – USB driver Release notes for Weidmueller FDT-DTM Software version
User Documentation	Handbuch u-remote DE Manual u-remote EN MAN_UR20_WEBSERVER_DE MAN_UR20_WEBSERVER_EN Security Data Sheet u-remote FB Coupler V1.0 Application notes – Industrial Product Security Guideline
Catalogues	Catalogues in PDF-format

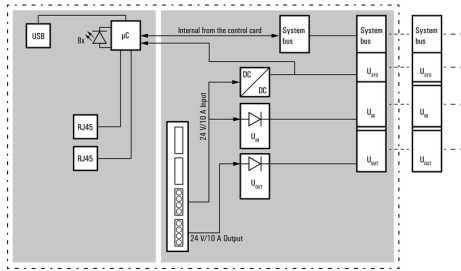
UR20-FBC-MOD-TCP-V2

Weidmüller Interface GmbH & Co. KG
 Klingenbergstraße 26
 D-32758 Detmold
 Germany

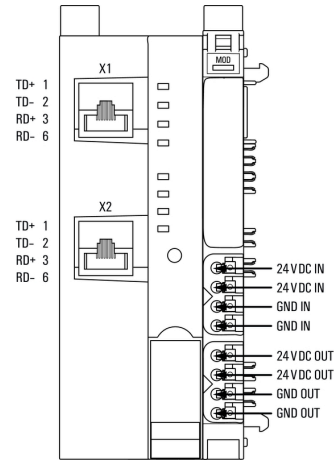
www.weidmueller.com

Drawings

Block diagram, Similar to illustration



Connection diagram



Explanation of abbreviations

Field bus coupler

