



Main

Range of Product	Modicon X80
Product or Component Type	Fibre optic repeater
Optic fiber type	Single mode

Complementary

Rated voltage	24 V
Current consumption	140 mA typical 200 mA maximum
Function Available	Hot swap
Number of port	2 RJ45 100BASE-TX IEEE 802.3u 2 fiber optic 100BASE-FX IEEE 802.3u
Local signalling	For power supply status 1 LED (green) For error condition (ERR) 1 LED (red) For link status 2 LEDs (green) For fiber port state and activity 2 LEDs (green)
Wavelength	0.000051575 in (1310 nm)
Operating Distance	0...15000 m
Attenuation	-15...-8 dB 9/125 µm)
Rise/fall time	2.5 ns
Receiver Sensitivity	- 31...- 8 dBm
Marking	CE
Width	1.26 in (32 mm)
Height	3.94 in (100 mm)
Depth	3.39 in (86 mm)
Net Weight	7.16 oz (203 g)

Environment

Ambient Air Temperature for Operation	32...140 °F (0...60 °C)
Ambient Air Temperature for Storage	-40...158 °F (-40...70 °C)
Relative humidity	0...95 %
Directives	2014/35/EU - low voltage directive 2014/30/EU - electromagnetic compatibility
Product certifications	CE[RETURN]RCM[RETURN]CSA[RETURN]EAC[RETURN]Merchant Navy[RETURN]JUL
Standards	EN/IEC 61010-2-201 EN/IEC 61131-2 UL 61010-2-201 CSA C22.2 No 61010-2-201
Dielectric strength	1400 V DC between field and bus 500 V DC between channels
IP Degree of Protection	IP20
Operating altitude	0...13123.36 ft (0...4000 m)

Ordering and shipping details

Category	18160-MODICON M340
Discount Schedule	PC34
GTIN	3595864144467
Returnability	Yes
Country of origin	FR

Packing Units

Unit Type of Package 1	PCE
Number of Units in Package 1	1
Package 1 Height	2.28 in (5.800 cm)
Package 1 Width	4.33 in (11.000 cm)
Package 1 Length	5.12 in (13.000 cm)
Package 1 Weight	8.82 oz (250.000 g)
Unit Type of Package 2	S02
Number of Units in Package 2	14
Package 2 Height	5.91 in (15.000 cm)
Package 2 Width	11.81 in (30.000 cm)
Package 2 Length	15.75 in (40.000 cm)
Package 2 Weight	8.47 lb(US) (3.840 kg)

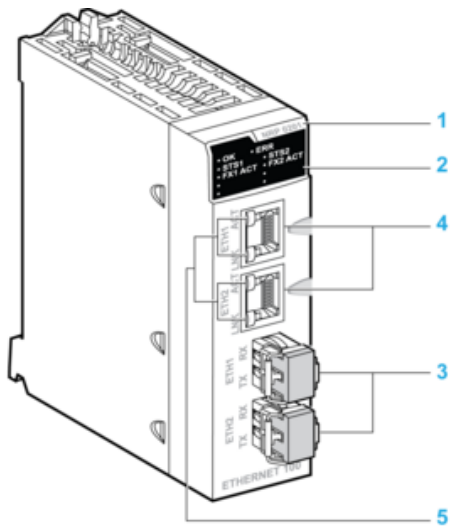
Offer Sustainability

California proposition 65	WARNING: This product can expose you to chemicals including: Lead and lead compounds, which is known to the State of California to cause cancer and birth defects or other reproductive harm. For more information go to www.P65Warnings.ca.gov
REACH Regulation	REACH Declaration
EU RoHS Directive	Pro-active compliance (Product out of EU RoHS legal scope)
Mercury free	Yes
China RoHS Regulation	China RoHS Declaration
RoHS exemption information	Yes
WEEE	The product must be disposed on European Union markets following specific waste collection and never end up in rubbish bins.

Contractual warranty

Warranty	18 months
----------	-----------

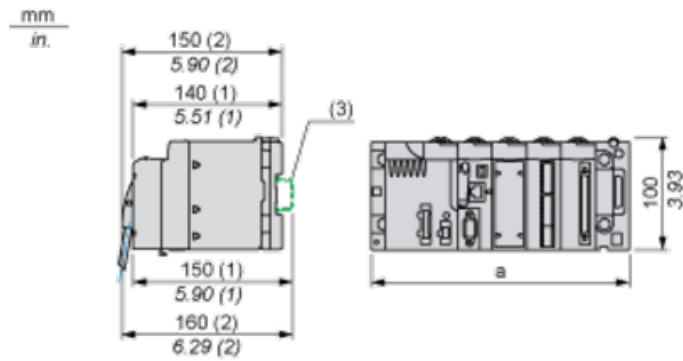
Presentation



- 1 : Model number
- 2 : LED display panel
- 3 : Optical port with SFP transceiver for LC-type connector
- 4 : RJ45 Ethernet port
- 5 : LNK and ACT LED indicators on the RJ45 Ethernet port

Modules Mounted on Racks

Dimensions



(1) With removable terminal block (cage, screw or spring).

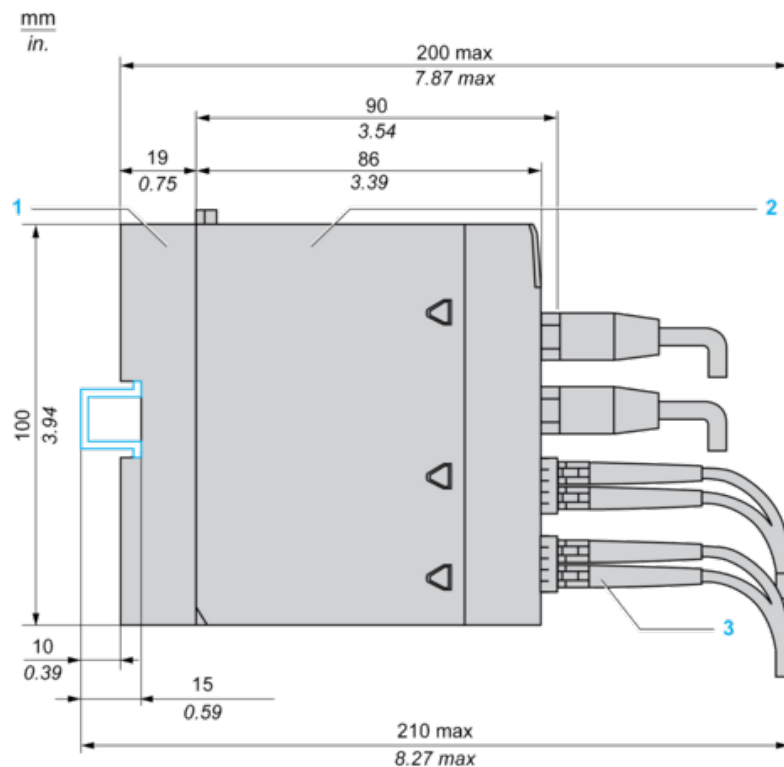
(2) With FCN connector.

(3) On AM1 ED rail: 35 mm wide, 15 mm deep. Only possible with BMXXBP0400/0400H/0600/0600H/0800/0800H rack.

Rack references	a in mm	a in in.
BMXXBP0400 and BMXXBP0400H	242.4	09.54
BMXXBP0600 and BMXXBP0600H	307.6	12.11
BMXXBP0800 and BMXXBP0800H	372.8	14.68
BMXXBP1200 and BMXXBP1200H	503.2	19.81

Mechanical Specifications

Dimensions



1 : Backplane

2 : Module

3 : Cable connections