



## Main

Range of product	OsiSense XU
Accessory / separate part category	Mounting and fixing accessory
Accessory / separate part type	Fixing bracket
Product or component type	Fixing bracket
Accessory / separate part destination	compact sensor 50 x 50 mm
Material	Metal

## Complementary

Product compatibility	XUK8LAPPNM12 XUK9LAPSMM12 XUK2LAKSMM12T XUK5LAPSMM12 XUK8TAKSMM12 XUK8TAKDMM12 XUK2LAPSMM12R XUK9TAH2MM12 XUK8TAE1MM12 XUK8TAE2MM12
Net weight	0.53 lb(US) (0.24 kg)

## Packing Units

Unit Type of Package 1	PCE
Number of Units in Package 1	1
Package 1 Weight	4.30 oz (122 g)
Package 1 Height	2.17 in (5.5 cm)
Package 1 width	3.90 in (9.9 cm)
Package 1 Length	2.80 in (7.1 cm)
Unit Type of Package 2	S01
Number of Units in Package 2	25
Package 2 Weight	7.22 lb(US) (3.275 kg)
Package 2 Height	5.91 in (15 cm)
Package 2 width	5.91 in (15 cm)
Package 2 Length	15.75 in (40 cm)

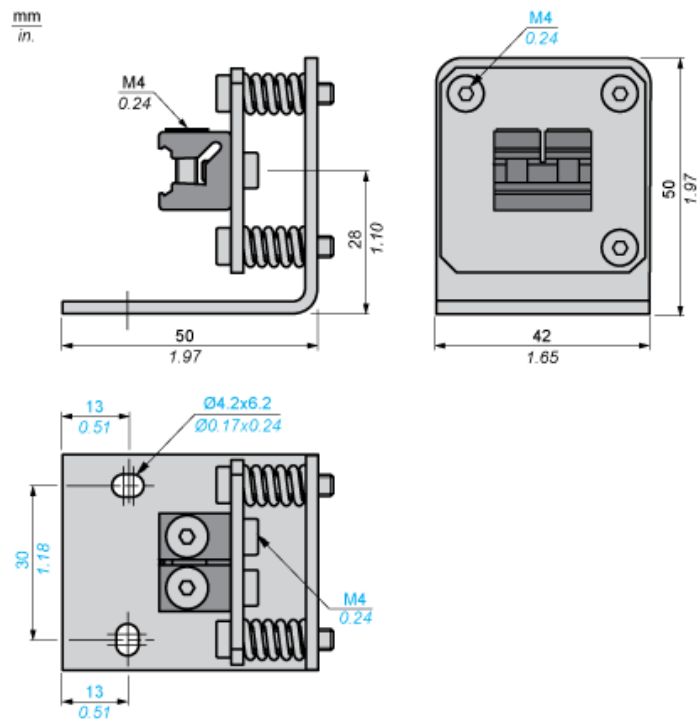
**Offer Sustainability**

REACH Regulation	<a href="#">REACH Declaration</a>
REACH free of SVHC	Yes
EU RoHS Directive	Pro-active compliance (Product out of EU RoHS legal scope) <a href="#">EU RoHS Declaration</a>
Toxic heavy metal free	Yes
Mercury free	Yes
RoHS exemption information	<a href="#">Yes</a>

**Contractual warranty**

Warranty	18 months
----------	-----------

Dimensions



Mounting

