



Main

Range of Product	Modicon Momentum automation platform
Product or Component Type	Discrete inputs base AC
Group of channels	2 groups of 8 inputs
Discrete input number	16 IEC 1131-2 Type 2
Discrete input voltage	120 V AC
Protective treatment	TC

Complementary

Discrete input logic	Positive
Input voltage limits	85...132 V
Network Frequency	47...63 Hz
Voltage range	0...132 V
Voltage state 0 guaranteed	<= 20 V
Voltage state 1 guaranteed	>= 74 V
Current state 0 guaranteed	<= 2 mA
Current state 1 guaranteed	>= 10 mA
Input resistance	7.5 KOhm 60 Hz 9.5 kOhm 50 Hz
Response time	10 ms 60 Hz from state 0 to state 1 35 ms 60 Hz from state 1 to state 0
Isolation between group	1780 V AC
Isolation between channels and bus	1780 V AC
Terminals description PLC n°1	(N)PW (5)IN_DIS#5 (13)IN_DIS#13 (15)IN_DIS#15 (12)IN_DIS#12 (10)IN_DIS#10 (14)IN_DIS#14 (11)IN_DIS#11 (9)IN_DIS#9 (7)IN_DIS#7 (L1)PW (1)IN_DIS#1 (8)IN_DIS#8 (2)IN_DIS#2 (6)IN_DIS#6 (16)IN_DIS#16 (3)IN_DIS#3 TB (4)IN_DIS#4
Marking	CE
Local signalling	For channel status 16 LEDs
Current consumption	<= 125 mA 120 V AC
Depth	1.87 in (47.5 mm)
Height	5.57 in (141.5 mm)
Width	4.92 in (125 mm)
Net Weight	0.63 lb(US) (0.284 kg)

The information provided in this documentation contains general descriptions and/or technical characteristics of the performance of the products contained herein. This documentation is not intended as a substitute for and is not to be used for determining suitability or reliability of these products for specific user applications. It is the duty of any such user or integrator to perform the appropriate and complete risk analysis, evaluation and testing of the products with respect to the relevant specific application or use thereof. Neither Schneider Electric Industries SAS nor any of its affiliates or subsidiaries shall be responsible or liable for misuse of the information contained herein.

Environment

Product Certifications	UL[RETURN]FM Class 1 Division 2[RETURN]CSA
Resistance to electrostatic discharge	4 KV contact IEC 801-2 8 kV on air IEC 801-2
Resistance to electromagnetic fields	9.14 V/m (10 V/m) 80...1000 MHz IEC 801-3
Ambient Air Temperature for Operation	32...140 °F (0...60 °C)
Ambient Air Temperature for Storage	-40...185 °F (-40...85 °C)
Relative Humidity	95 % without condensation
Operating altitude	<= 16404.2 ft (5000 m)

Ordering and shipping details

Category	18206-MOMENTUM PROCESSORS,I/O BASES,CONN.
Discount Schedule	PC31
GTIN	3595861147522
Returnability	Yes
Country of origin	ID

Packing Units

Unit Type of Package 1	PCE
Number of Units in Package 1	1
Package 1 Height	3.54 in (9.0 cm)
Package 1 Width	7.09 in (18.0 cm)
Package 1 Length	10.24 in (26.0 cm)
Package 1 Weight	17.67 oz (501.0 g)
Unit Type of Package 2	S04
Number of Units in Package 2	12
Package 2 Height	11.81 in (30 cm)
Package 2 Width	15.75 in (40 cm)
Package 2 Length	23.62 in (60 cm)
Package 2 Weight	15.83 lb(US) (7.182 kg)
Unit Type of Package 3	P06
Number of Units in Package 3	48
Package 3 Height	29.53 in (75.0 cm)
Package 3 Width	15.75 in (40.0 cm)
Package 3 Length	31.50 in (80.0 cm)
Package 3 Weight	101.41 lb(US) (46 kg)

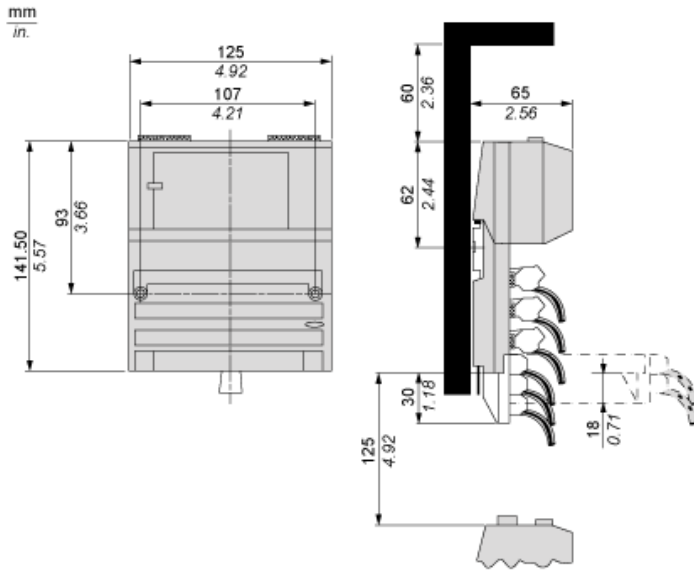
Offer Sustainability

Sustainable offer status	Green Premium product
California proposition 65	WARNING: This product can expose you to chemicals including: Lead and lead compounds, which is known to the State of California to cause cancer and birth defects or other reproductive harm. For more information go to www.P65Warnings.ca.gov
REACH Regulation	REACH Declaration
EU RoHS Directive	Pro-active compliance (Product out of EU RoHS legal scope)
Mercury free	Yes
China RoHS Regulation	China RoHS Declaration
RoHS exemption information	Yes
Environmental Disclosure	Product Environmental Profile
Circularity Profile	End Of Life Information
WEEE	The product must be disposed on European Union markets following specific waste collection and never end up in rubbish bins.

Contractual warranty

Warranty	18 months
----------	-----------

Standard Adapter on a Discrete VAC Base

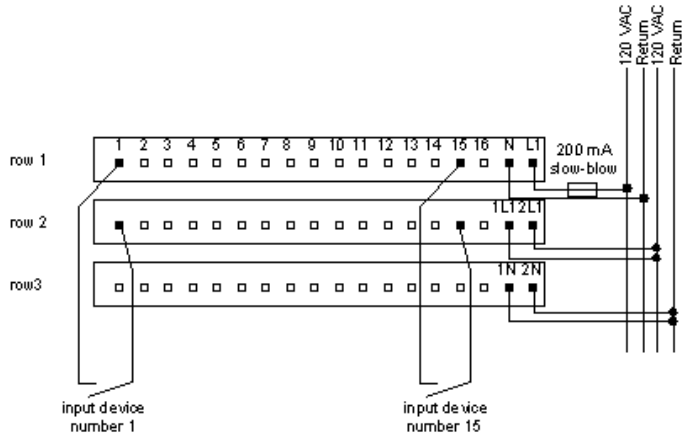


Mounting on a Wall

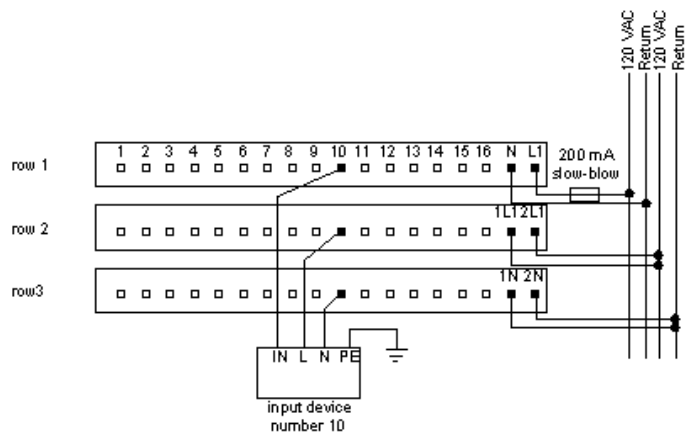


External Wiring Diagrams

2-Wire Devices



3-Wire Device



Internal Pin Connections

