



Main

Range of Product	Harmony Electromechanical Relays
Product or Component Type	Mounting adaptor
Accessory / separate part category	Mounting accessories
Accessory / separate part designation	Mounting adaptor for DIN rails
Device short name	RPZ
Sale per indivisible quantity	20

Complementary

Product Destination	RPM relay
Product compatibility	Plug-in relay RPM 4 C/O
Shape of pin	Flat
Net Weight	0.01 lb(US) (0.006 kg)
Group of product	RPM_4_C/O_DIN

Ordering and shipping details

Category	21128-ZELIO ICE CUBE RELAY ACCESSORIES
Discount Schedule	CP2
GTIN	3389119402415
Returnability	No
Country of origin	CN

Packing Units

Unit Type of Package 1	PCE
Number of Units in Package 1	1
Package 1 Height	0.79 in (2.0 cm)
Package 1 Width	1.73 in (4.4 cm)
Package 1 Length	2.09 in (5.3 cm)
Package 1 Weight	0.39 oz (11.0 g)
Unit Type of Package 2	BAG
Number of Units in Package 2	10
Package 2 Height	0.39 in (1.0 cm)
Package 2 Width	6.69 in (17.0 cm)
Package 2 Length	4.72 in (12.0 cm)
Package 2 Weight	0.33 lb(US) (0.15 kg)
Unit Type of Package 3	S01
Number of Units in Package 3	300
Package 3 Height	5.91 in (15.0 cm)
Package 3 Width	5.91 in (15.0 cm)
Package 3 Length	15.75 in (40.0 cm)
Package 3 Weight	10.36 lb(US) (4.7 kg)

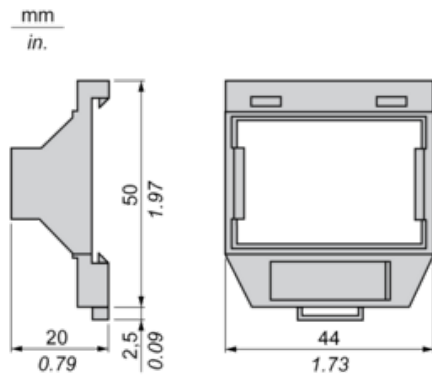
Offer Sustainability

Sustainable offer status	Green Premium product
California proposition 65	WARNING: This product can expose you to chemicals including: Nickel compounds, which is known to the State of California to cause cancer, and Di-isodecyl phthalate (DIDP), which is known to the State of California to cause birth defects or other reproductive harm. For more information go to www.P65Warnings.ca.gov
REACH Regulation	REACH Declaration
REACH free of SVHC	Yes
EU RoHS Directive	Pro-active compliance (Product out of EU RoHS legal scope) EU RoHS Declaration
Toxic heavy metal free	Yes
Mercury free	Yes
China RoHS Regulation	China RoHS Declaration
RoHS exemption information	Yes
Environmental Disclosure	Product Environmental Profile
Circularity Profile	No need of specific recycling operations

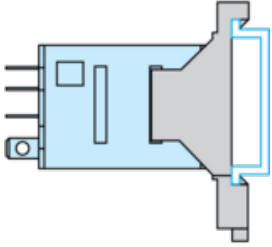
Contractual warranty

Warranty	18 months
----------	-----------

Dimensions



Mounting



With this mounting type, test button becomes inaccessible