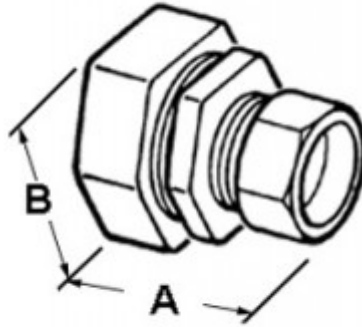


Liquid Tight to EMT Transition Coupling, Zinc Die Cast, Size 1/2 Inch

Used to join either metallic or non-metallic (Type "B") liquid tight conduit to EMT. Raintight. Concrete-Tight.

[Download Photo](#)[Download Drawing](#)

Product details

Catalog Number:	4360-DC
UPC Number:	781747943606
Primary Materials:	Zinc Die Cast
Finish:	Ball burnished, mirror smooth
Trade Size:	1/2"
Unit Quantity:	25
Standard Package Quantity:	100

Dimensions

Trade Size:	1/2"
Dimensions A:	1-7/8
Dimensions B:	1-7/16

Certifications & Codes

Federal Specification Number: A-A-50553

UL File Number: E24001

CSA File Number: LR39354

UNSPSC: 39131707

Nema Standard: FB-1

UL Standard: UL-514B

Patent Number: 7390027