

IE-TO-RJ45-C**Weidmüller Interface GmbH & Co. KG**

Klingenbergstraße 26

D-32758 Detmold

Germany

www.weidmueller.com



Mounting rail outlet, RJ45 junction design according to IEC 60603-7-51

General ordering data

| | |
|-------------------|--|
| Version | Mounting rail outlet, RJ45, Coupling, IP20, Cat.6A / Class EA (ISO/IEC 11801 2010) |
| Order No. | 8946920000 |
| Type | IE-TO-RJ45-C |
| GTIN (EAN) | 4032248734801 |
| Qty. | 10 pc(s). |
| Reference product | 1962840000 |

Creation date November 26, 2024 11:52:13 AM CET

Catalogue status 26.11.2024 / We reserve the right to make technical changes.

IE-TO-RJ45-C

Weidmüller Interface GmbH & Co. KG

Klingenbergstraße 26

D-32758 Detmold

Germany

www.weidmueller.com

Technical data

Dimensions and weights

| | |
|------------|--------|
| Net weight | 52.1 g |
|------------|--------|

Temperatures

| | | | |
|-----------------------|----------------|----------|------------------------|
| Operating temperature | -40 °C...70 °C | Humidity | 0...93 % rel. humidity |
|-----------------------|----------------|----------|------------------------|

General data

| | | | |
|--|---|--|--|
| Connection 1 | RJ45 | Connection 2 | RJ45 |
| Configuration | Switchable volt. connection from module/coupling to mounting rail | Wiring | Coupling |
| Colour | Light Grey | Shock resistance acc. to IEC 60512-6-3 | 250 ms ⁻² |
| Vibration resistance acc. to IEC 60512-6-4 | 50 ms ⁻² sinusoidal (9...500 Hz) | Humidity | 0...93 % rel. humidity |
| Housing main material | PA UL 94 V0, PA 66 UL V0 E63957 | Category | Cat.6A / Class EA (ISO/IEC 11801 2010) |
| Contact material | Spring steel, Ni 1.2 µm | Contact surface | Au ≥ 0.8 µm |
| Type of mounting | TS 35 | Shielding | Yes |
| Protection degree | IP20 | Plugging cycles | 750 (RJ45) |

Electrical properties

| | | | |
|--|----------------|---------------------------------------|----------------------------|
| Contact resistance | ≤ 20 mΩ | Current-carrying capacity at 50 °C | 1 A |
| Dielectric strength, contact / contact | ≥ 1000 V AC/DC | Dielectric strength, contact / shield | ≥ 1500 V AC/DC |
| Insulation strength | 500 MΩ | PoE / PoE+ | conforming to IEEE 802.3af |

General standards

| | | | |
|-------------------------|---------|--------------------|----------------|
| Certificate no. (cULus) | E471884 | Connector standard | IEC 60603-7-51 |
|-------------------------|---------|--------------------|----------------|

Classifications

| | | | |
|-------------|-------------|-------------|-------------|
| ETIM 6.0 | EC000313 | ETIM 7.0 | EC000313 |
| ETIM 8.0 | EC000313 | ETIM 9.0 | EC000313 |
| ECLASS 9.0 | 27-44-03-20 | ECLASS 9.1 | 19-17-01-25 |
| ECLASS 10.0 | 27-44-03-20 | ECLASS 11.0 | 27-44-03-20 |
| ECLASS 12.0 | 27-44-03-20 | ECLASS 13.0 | 27-44-03-20 |
| ECLASS 14.0 | 27-44-03-20 | | |

Environmental Product Compliance

| | |
|------------------------|-----------------------|
| RoHS Compliance Status | Compliant |
| REACH SVHC | No SVHC above 0.1 wt% |

IE-TO-RJ45-C

Weidmüller Interface GmbH & Co. KG
 Klingenbergstraße 26
 D-32758 Detmold
 Germany

www.weidmueller.com

Technical data

Approvals

Approvals



| | |
|-------------------------|------------|
| ROHS | Conform |
| UL File Number Search | UL Website |
| Certificate no. (cULus) | E471884 |

Downloads

| | |
|---|---|
| Approval/Certificate/Document of Conformity | ISO/IEC and TIA/EIA DE ISO/IEC EN and TIA/EIA Screened Class E Category 6, 3 connector permanent link ISO/IEC EN and TIA/EIA Screened Class E Category 6, 4 connector channel ISO/IEC EN and TIA/EIA Screened Class EA Category 6A, 2 connector channel PROFINET Manufacturer's Declaration |
| Engineering Data | CAD data – STEP |
| User Documentation | MAN IE GUIDE DE MAN IE GUIDE EN Manual |
| Catalogues | Catalogues in PDF-format |
| Brochures | MB FREECONCONTACT EN FL FIELDWIRING EN PI PROFINET CABLING EN PI PROFINET CABLING EN |

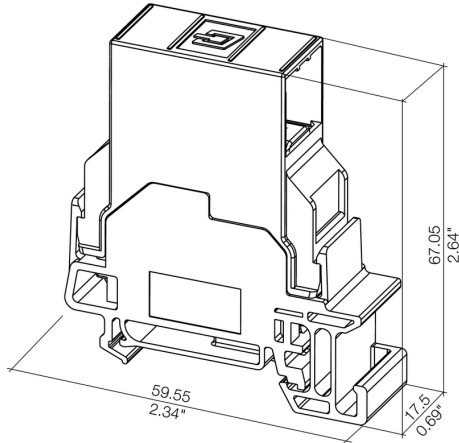
IE-TO-RJ45-C

Weidmüller Interface GmbH & Co. KG
Klingenbergstraße 26
D-32758 Detmold
Germany

www.weidmueller.com

Drawings

Dimensioned drawing



Drawing

