

Project: _____ Type: _____

Drawn by: _____ Catalogue #: _____ Date: _____

Individual Spec Sheet

YDD-L LED YARD LIGHT

ORDERING INFORMATION

Order code: 68190
Model number: YDD-LS2B-W/5KPT
UPC: 069549015135
Case quantity: 1/1

PHYSICAL DATA

Dimensions: 13.8" x 4.2" (350 mm x 107 mm)
Type: Yard Light
Finish: Grey
Lens material: Polycarbonate diffuse

PERFORMANCE DATA

Watts (W): 56
Volts (VAC): 120-277
Color temperature (K)¹: 5 000
Lumen output (lm)²: 7 333
Efficiency (lm/W): 130
CRI: 84.6
Life L70 (h)³: 54 000
Dimming: No
Power factor: 0.75 - 0.98
THD (%): 9
Frequency (Hz): 50/60
Surge protection (kV): 4
Output current (mA): 1 500
Operating temp. range: -40°C to +40°C

¹ Typical color temperature range: +/- 5 %

² Lumen values are derived from photometric testing. Initial lumens range: +/- 10 %

³ Life hours are derived from IESNA LM80-08 testing report and projected per IESNA TM-21-11 extrapolations

COMPATIBLE ACCESSORY

Part number	Type
PH0009	Shorting cap



5 yrs
warranty


quick
ship


LED
fixture

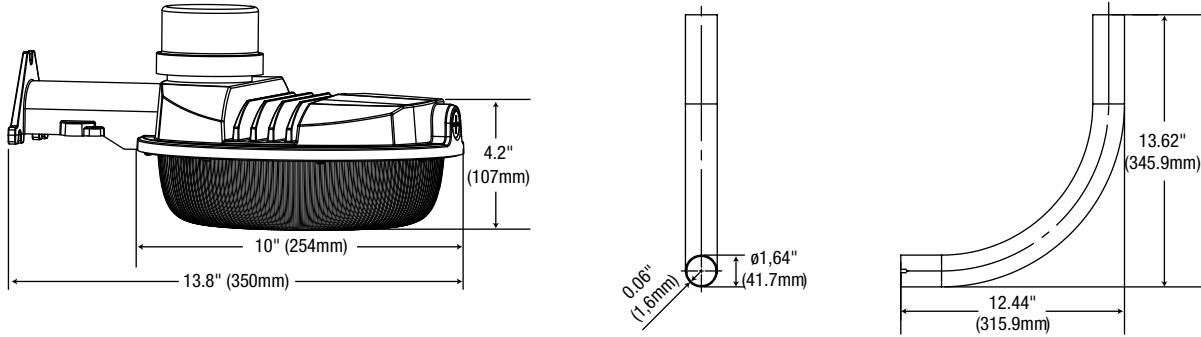

wet
location


IK07


ICES
005



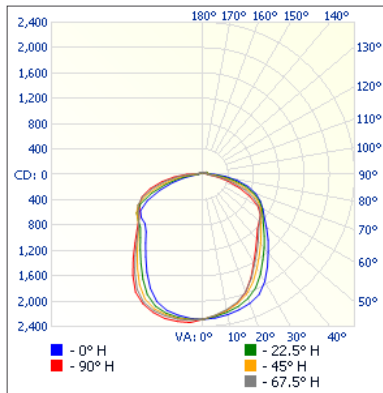
DIMENSIONS



PHOTOMETRIC DATA¹

68190 • YDD-LS2B-W/5KPT • 7 308.6 lm

Polar candela distribution



Zonal lumen summary

Zone	Lumens	% Fixture
0-30	1 770.3	24.2%
0-40	2 832.0	38.7%
0-60	4 980.7	68.1%
60-90	1 972.1	27%
70-100	1 097.3	15%
90-120	229.0	3.1%
0-90	6 952.9	95.1%
90-180	355.7	4.9%
0-180	7 308.6	100%

Illuminance at a distance

Center beam fc	Beam width
17.0'	7.1 fc
34.0'	1.98 fc
51.0'	0.88 fc
68.0'	0.49 fc
85.0'	0.32 fc
102.0'	0.22 fc

Beam width	Beam width
55.2'	46.5'
110.3'	96.0'
165.5'	139.5'
220.6'	186.0'
275.8'	232.5'
330.9'	279.0'

■ Vert. spread: 116.7°
■ Horiz. spread: 107.7°

¹ Complete IES files available on our website.

Qty	Description	Price

I accept the specifications of the luminaire configuration mentioned above.

Name: _____

Company: _____

Signature: _____

Date: _____

Data is based upon tests performed in a controlled environment. Actual performance can vary depending on operating conditions. All products are subject to change or may be discontinued any time without notice.