



### Main

Range of Product	Modicon M171/M172
Product or Component Type	Programmable controllers
Product Specific Application	HVAC and pumping solution
Variant	Programmable
Total inputs/outputs	3
Analogue input number	1 analog input NTC board) 1 analog input NTC

### Complementary

Number of port	1 CAN port - screw terminal block 1 Ethernet - RJ45 Modbus TCP and BACnet IP with webserver) 1 RS485 - screw terminal block Modbus serial link or BACnet MS/TP) 1
Input/output number	3 analog input
Analogue input type	Voltage 0...5 V ratiometric) Current 4...20 mA NTC temperature probe - 50...110 °C 0.1 °C extended) Voltage 0...10 V NTC temperature probe - 40...150 °C 0.1 °C
[Us] rated supply voltage	24 V ±10% AC 48 V DC
Power consumption in W	24 VA 24 V AC 15 W 20...38 V DC
Realtime clock	Without -4...149 °F (-20...65 °C)
Display type	Without Display
Overvoltage category	II
Local signalling	without
Mounting Support	DIN rail Panel mounting with accessory
Width	2.83 in (72 mm)
Height	4.33 in (110 mm)
Depth	2.38 in (60.5 mm)
Net Weight	0.42 lb(US) (0.19 kg)

### Environment

Standards	IEC 60730
Product Certifications	CSA[RETURN]RCM[RETURN]cURus[RETURN]CE[RETURN]EAC
Ambient air temperature for operation	-4...149 °F (-20...65 °C) UL 60730-1
Ambient Air Temperature for Storage	-4...185 °F (-20...85 °C)
Relative humidity	10...90 % non-condensing
IP degree of protection	IP20
Pollution degree	2

The information provided in this documentation contains general descriptions and/or technical characteristics of the performance of the products contained herein. This documentation is not intended as a substitute for and is not to be used for determining suitability or reliability of these products for specific user applications. It is the duty of any such user or integrator to perform the appropriate and complete risk analysis, evaluation and testing of the products with respect to the relevant specific application or use thereof. Neither Schneider Electric Industries SAS nor any of its affiliates or subsidiaries shall be responsible or liable for misuse of the information contained herein.

## Ordering and shipping details

Category	22537-M171 / M172 HVAC CONTROLLERS
Discount Schedule	PC12
GTIN	3606480752858
Returnability	No
Country of origin	IT

## Packing Units

Unit Type of Package 1	PCE
Number of Units in Package 1	1
Package 1 Height	5.12 in (13 cm)
Package 1 Width	3.58 in (9.1 cm)
Package 1 Length	7.28 in (18.5 cm)
Package 1 Weight	12.13 oz (344 g)
Unit Type of Package 2	S02
Number of Units in Package 2	6
Package 2 Height	5.91 in (15 cm)
Package 2 Width	11.81 in (30 cm)
Package 2 Length	15.75 in (40 cm)
Package 2 Weight	5.18 lb(US) (2.35 kg)

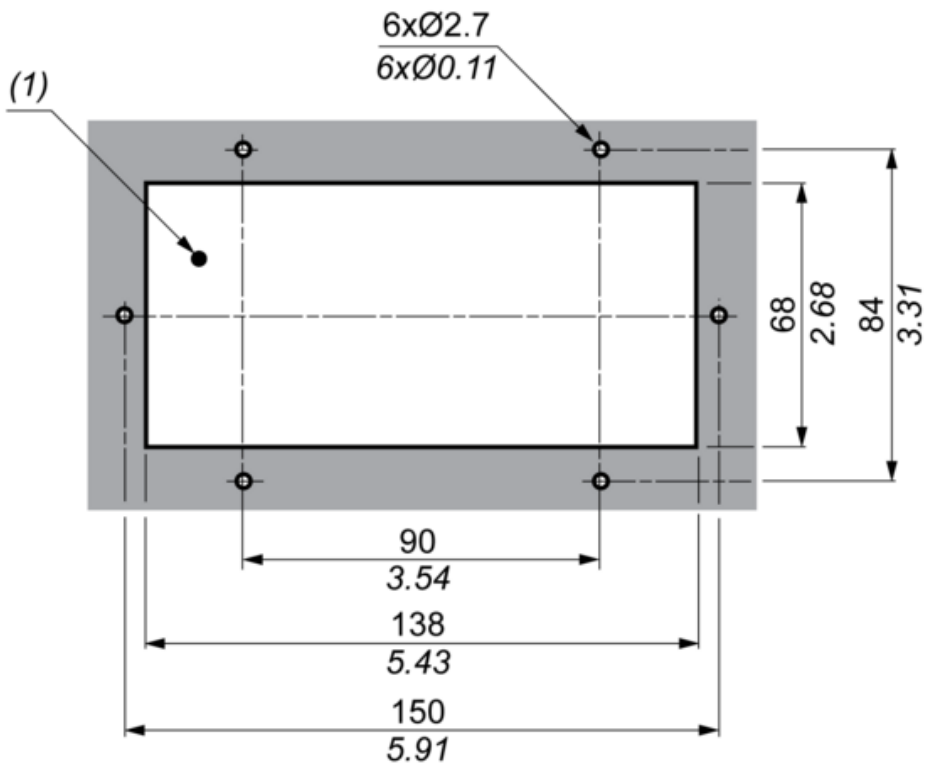
## Offer Sustainability

California proposition 65	WARNING: This product can expose you to chemicals including: Lead and lead compounds, which is known to the State of California to cause cancer and birth defects or other reproductive harm. For more information go to <a href="http://www.P65Warnings.ca.gov">www.P65Warnings.ca.gov</a>
REACH Regulation	<a href="#">REACH Declaration</a>
EU RoHS Directive	Not applicable, out of EU RoHS legal scope
Mercury free	Yes
China RoHS Regulation	<a href="#">China RoHS Declaration</a>
WEEE	The product must be disposed on European Union markets following specific waste collection and never end up in rubbish bins.
Upgradeability	Upgradeable through digital modules and upgraded components

Mounting and Clearance

Panel Mounting

$\frac{\text{mm}}{\text{in.}}$



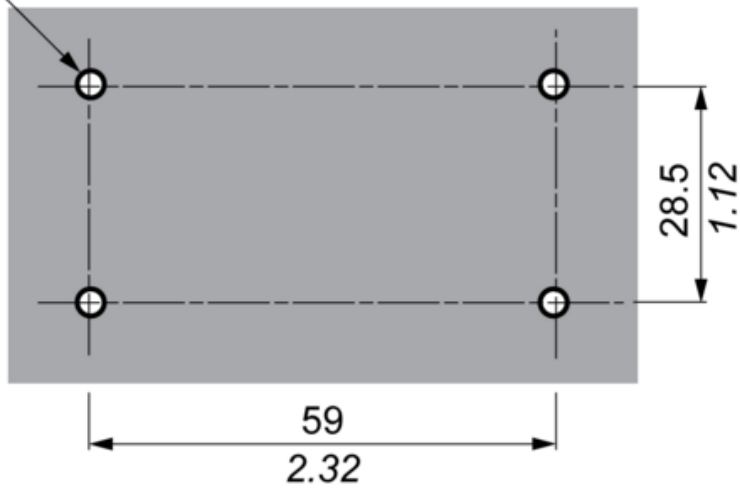
(1) Panel cut out

Wall Mounting

$\frac{\text{mm}}{\text{in.}}$

4xØ4.2

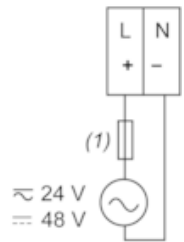
6xØ0.17



---

Power Supply

---

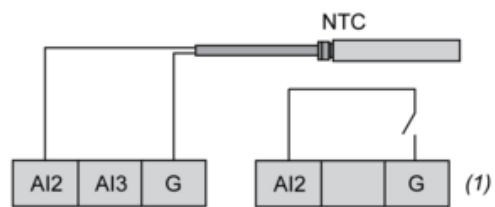


(1) Type T 630 mA fuse

---

Analog Inputs

---



(1) Digital input