



### Main

|                           |                              |
|---------------------------|------------------------------|
| Range Compatibility       | Lexium 32i                   |
| Product or Component Type | Servo motor with power stage |
| Device short name         | BMI                          |

### Complementary

|                           |  |
|---------------------------|--|
| Maximum mechanical speed  | 8000 rpm   |
| [Us] rated supply voltage | 115...230 V - 15...10 %  |
| Supply voltage limits     | 100...240 V  |
| Phase                     | Single phase   |
| Supply frequency          | 50/60 Hz - 5...5 %   |
| Network frequency limits  | 47.5...63 Hz   |
| EMC filter                | Integrated   |
| Continuous output current | 2.6 A 8 kHz  |
| Output current 3s peak    | 10.5 A 230 V 1 s   |
| Continuous stall current  | 2.6 A  |
| Continuous stall torque   | 21.95 lbf.in (2.48 N.m) 115...230 V single phase                                       |
| Peak stall torque         | 58.41 lbf.in (6.6 N.m) 115 V single phase<br>58.41 lbf.in (6.6 N.m) 230 V single phase |
| Nominal output power      | 700 W 230 V single phase<br>400 W 115 V single phase                                   |
| Nominal torque            | 19.47 lbf.in (2.2 N.m) 115 V single phase<br>15.05 lbf.in (1.7 N.m) 230 V single phase |
| Nominal speed             | 4000 rpm 230 V single phase<br>1700 rpm 115 V single phase                             |
| Maximum current Irms      | 17.7 A 230 V, single phase<br>17.7 A 115 V, single phase                               |
| Product compatibility     | Drive control unit LXM32i CANopen[RETURN]Drive control unit LXM32i EtherCAT            |
| Shaft end                 | Keyed  |
| Second shaft              | Without second shaft end   |
| Shaft diameter            | 0.43 in (11 mm)  |
| Shaft length              | 0.91 in (23 mm)  |
| Key width                 | 0.16 in (4 mm)   |
| Feedback type             | Absolute multiturn SinCos Hiperface  |
| Speed feedback resolution | 32768 points/turn x 4096 turns   |
| Holding brake             | Without  |
| Mounting Support          | International standard flange  |
| Motor flange size         | 2.76 in (70 mm)  |
| Electrical Connection     | Printed circuit board connector  |
| Torque constant           | 0.63 N.m/A 68 °F (20 °C)   |
| Back emf constant         | 42.1 V/krpm 68 °F (20 °C)  |

|                                       |  |
|---------------------------------------|--|
| Number of motor poles                 | 10   |
| Rotor inertia                         | 1.13 kg.cm <sup>2</sup>  |
| Stator resistance                     | 2.7 Ohm 68 °F (20 °C)  |
| Stator inductance                     | 7.8 mH 68 °F (20 °C)   |
| Stator electrical time constant       | 2.89 ms 68 °F (20 °C)  |
| Maximum radial force Fr               | 710 N 1000 rpm<br>560 N 2000 rpm<br>490 N 3000 rpm<br>450 N 4000 rpm<br>410 N 5000 rpm<br>390 N 6000 rpm |
| Maximum axial force Fa                | 0.2 x Fr   |
| Type of cooling                       | Natural convection   |
| Length                                | 10.55 in (268 mm)  |
| Number of motor stacks                | 2  |
| Centring collar diameter              | 2.36 in (60 mm)  |
| Centring collar depth                 | 0.10 in (2.5 mm)   |
| Number of mounting holes              | 4  |
| Mounting holes diameter               | 0.22 in (5.5 mm)   |
| Circle diameter of the mounting holes | 2.95...3.23 in (75...82 mm)  |
| Distance shaft shoulder-flange        | 0.10 in (2.5 mm)   |

## Environment

|                         |                            |
|-------------------------|----------------------------|
| IP Degree of Protection | Shaft IP54<br>Housing IP65 |
|-------------------------|----------------------------|

## Ordering and shipping details

|                   |                                   |
|-------------------|-----------------------------------|
| Category          | 18287-LEXIUM 32 INTEGRATED DRIVES |
| Discount Schedule | PC56                              |
| GTIN              | 3606485376103                     |
| Returnability     | No                                |
| Country of origin | DE                                |

## Packing Units

|                              |                       |
|------------------------------|-----------------------|
| Unit Type of Package 1       | PCE                   |
| Number of Units in Package 1 | 1                     |
| Package 1 Height             | 10.24 in (26.0 cm)    |
| Package 1 Width              | 7.87 in (20.0 cm)     |
| Package 1 Length             | 23.23 in (59.0 cm)    |
| Package 1 Weight             | 11.90 lb(US) (5.4 kg) |

## Offer Sustainability

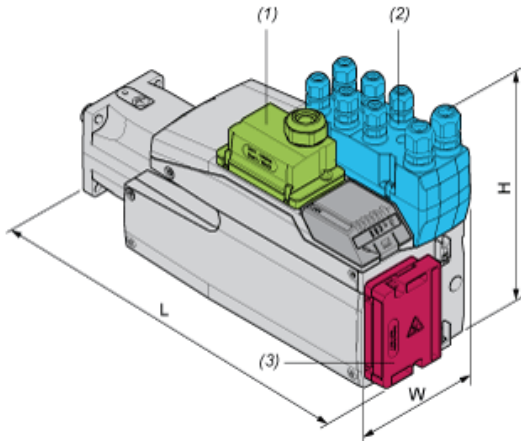
|                            |   |
|----------------------------|---|
| Sustainable offer status   | Green Premium product   |
| California proposition 65  | WARNING: This product can expose you to chemicals including: Lead and lead compounds, which is known to the State of California to cause cancer and birth defects or other reproductive harm. For more information go to <a href="http://www.P65Warnings.ca.gov">www.P65Warnings.ca.gov</a> |
| REACH Regulation           | <a href="#">REACH Declaration</a>   |
| EU RoHS Directive          | Pro-active compliance (Product out of EU RoHS legal scope)  |
| Mercury free               | Yes   |
| China RoHS Regulation      | <a href="#">China RoHS Declaration</a>  |
| RoHS exemption information | <a href="#">Yes</a>   |
| Environmental Disclosure   | <a href="#">Product Environmental Profile</a>   |
| Circularity Profile        | <a href="#">End Of Life Information</a>   |

|                             |  |
|-----------------------------|--|
| WEEE                        | The product must be disposed on European Union markets following specific waste collection and never end up in rubbish bins. |
| PVC free                    | Yes  |
| <b>Contractual warranty</b> |  |
| Warranty                    | 18 months  |

External Dimensions

With Standard Braking Resistor

Mounting type A



- (1) Module for supply voltage
- (2) I/O module
- (3) Standard braking resistor

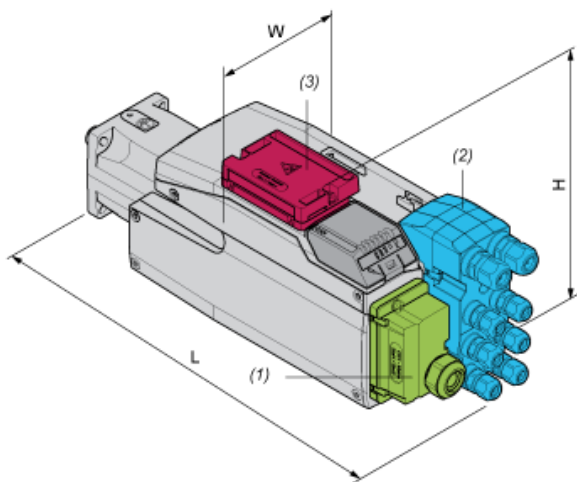
Dimensions in mm

| W  | H   | L   |
|----|-----|-----|
| 99 | 187 | 289 |

Dimensions in in.

| W   | H    | L     |
|-----|------|-------|
| 3,9 | 7,36 | 11,38 |

Mounting type B



- (1) Module for supply voltage
- (2) I/O module
- (3) Standard braking resistor

Dimensions in mm

| W  | H     | L   |
|----|-------|-----|
| 99 | 138,5 | 338 |

Dimensions in in.

| W   | H    | L     |
|-----|------|-------|
| 3,9 | 5,45 | 13,31 |

### With External Braking Resistor

Mounting type C



- (1) Module for supply voltage
- (2) I/O module
- (4) External braking resistor

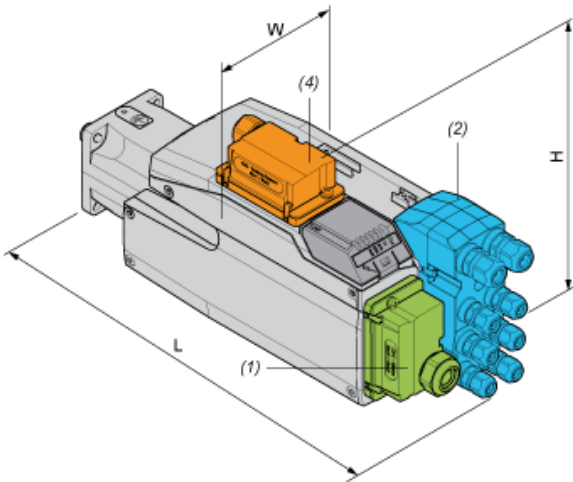
Dimensions in mm

| W  | H   | L   |
|----|-----|-----|
| 99 | 187 | 301 |

Dimensions in in.

| W   | H    | L     |
|-----|------|-------|
| 3,9 | 7,36 | 11,85 |

Mounting type D



- (1) Module for supply voltage
- (2) I/O module
- (4) External braking resistor

Dimensions in mm

| W  | H   | L   |
|----|-----|-----|
| 99 | 160 | 338 |

Dimensions in in.

| W   | H   | L     |
|-----|-----|-------|
| 3,9 | 6,3 | 13,31 |

Mounting type E



- (1) Module for supply voltage
- (2) I/O module
- (4) External braking resistor

Dimensions in mm

| W  | H   | L   |
|----|-----|-----|
| 99 | 187 | 328 |

Dimensions in in.

| W   | H    | L     |
|-----|------|-------|
| 3,9 | 7,36 | 12,91 |

Mounting type F



- (1) Module for supply voltage
- (2) I/O module
- (4) External braking resistor

Dimensions in mm

| W  | H   | L   |
|----|-----|-----|
| 99 | 180 | 338 |

Dimensions in in.

| W   | H    | L     |
|-----|------|-------|
| 3,9 | 7,09 | 13,31 |

Performance Curves

Torque/Speed Curves with 115 V Single Phase Supply Voltage



- (X) Speed (rpm)
- (Y) Torque (N.m)
- (1) Motor peak
- (2) Drive peak
- (3) Drive cont
- (4) Motor cont
- (5) Operating point

|                         |   | Power | At Speed | With Torque |
|-------------------------|---|-------|----------|-------------|
| max. Peak Power         | ■ | 860 W | 1760 rpm | 4.67 N.m    |
| max Cont. Power (Drive) | ● | 499 W | 2160 rpm | 2.21 N.m    |

Performance Curves

Torque/Speed Curves with 230 V Single Phase Supply Voltage



- (X) Speed (rpm)
- (Y) Torque (N.m)
- (1) Motor peak
- (2) Drive peak
- (3) Drive cont
- (4) Motor cont
- (5) Operating point

|                         |   | Power  | At Speed | With Torque |
|-------------------------|---|--------|----------|-------------|
| max. Peak Power         | ■ | 2129 W | 3360 rpm | 6.05 N.m    |
| max Cont. Power (Drive) | ● | 736 W  | 4640 rpm | 1.51 N.m    |