

Technical Information Bulletin

LED Lamps



Date: _____ Name of distributor: _____
 In hands date of project: _____ Client #: _____
 Project name/Number: _____ Name of end user: _____

ORDERING INFORMATION

Order code: 67052
Description: CRN180/40W/40K/BYP/100-277V/ND/E26/STD
UPC: 69549670525
Case quantity: 12



PHYSICAL DATA

Base: E26
Type: High Intensity 180°

PERFORMANCE DATA

Watts (W): 40
Install method: Ballast bypass
Lamp volts (VAC): 100-277
Colour temperature (K)¹: 4 000
Life L70 (hrs): 50 000
Bare lumens (lm)²: 6 000
Bare lumens per watt (lm/W): 150
DLC lumens (lm)³: 3 706
DLC lumens per watt (lm/W): 93
CRI: 80
Beam angle (°): 180
Power factor: >0.9
Operating temperature range: - 40 °C to 60 °C (-40°F to 140 °F)

TRADITIONAL EQUIVALENT

| CFL | Incandescent | HID |
|---------|--------------|------|
| 55W-65W | 300W | 100W |

¹ Typical colour temperature range: +/- 5 %
² Lumen values are derived from photometric testing. Initial lumens range: +/- 10 %
³ DLC lumens represent lumen output when lamp is installed in a luminaire



* This product complies with UL1598C Standard for LED luminaire Retrofit kits. Not suitable for hazardous location.

DESCRIPTION AND OTHER OPTIONS

| CRN180 | / | 40W | / | 40K | / | BYP | / | 100-277V | / | ND | / | E26 | / | STD |
|---------------------------------------|---|--|---|--|---|---------------------------|---|-------------------------------|---|------------------------|---|---|---|---------------------|
| Family | | Watts | | Colour temp. | | Installation | | Volts | | Dimmable | | Base | | Brand |
| CRN180 LED High Intensity 180° | | 40W 40 watts 60W¹ 60 watts | | 40K 4 000 K 50K 5 000 K | | BYP Ballast bypass | | 100-277V 100-277 volts | | ND Non-dimmable | | E26 E26 medium E39 E39 mogul | | STD Standard |

¹ Only available with E39 base

This lighting equipment complies with Canadian standard ICES-005 for use in residential applications. Data is based upon tests performed in a controlled environment and representative of relative performance. Actual performance can vary depending on operating conditions. Specifications are subject to change without notice.

Technical Information Bulletin

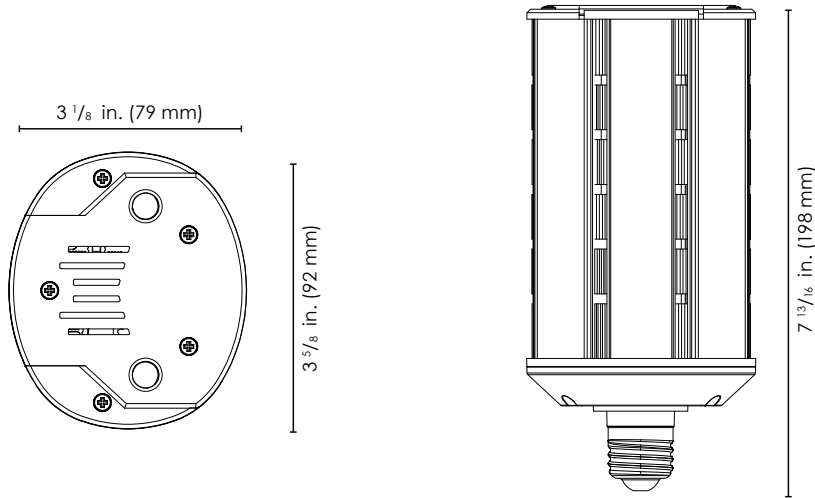
LED Lamps



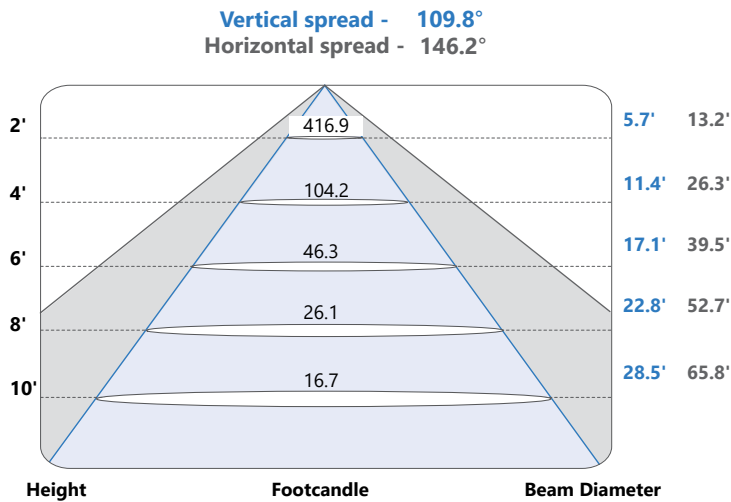
ORDER CODE : 67052

TECHNICAL DRAWINGS AND DIMENSIONS

Length: 3 5/8 in. (92 mm)
Depth: 3 1/8 in. (79 mm)
Height: 7 13/16 in. (198 mm)

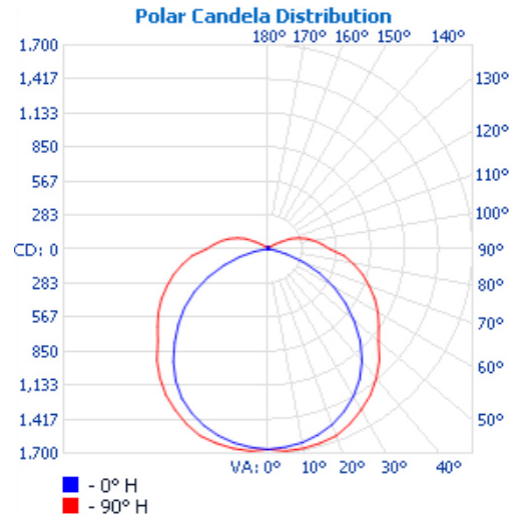


BEAM SPREAD*



*Complete IES files available on our website

CANDELA DISTRIBUTION*



| Qty | Description | Price |
|-----|-------------|-------|
| | | |

I accept the specifications of the luminaire configuration mentioned above.

Name: _____
 Company: _____
 Signature: _____

Date: _____