



Main

Range of Product	Lexium SD2
Product or Component Type	Motion stepper drive
Device short name	SD218
Communication interface	RS485

Complementary

Phase	Single phase
[Us] rated supply voltage	24...48 V
Supply voltage type	DC
Supply voltage limits	12...48 V
Maximum motor phase current	5 A
Current consumption	<= 4 mA
Voltage state 0 guaranteed	0...0.8 V general purpose I/O defined as inputs
Voltage state 1 guaranteed	2.2...24 V
Input current	1.75 mA - high level general purpose I/O defined as inputs
Output current	600 mA - single channel, duty cycle = 0.8 general purpose I/O defined as outputs 275 mA - four channels, continuous general purpose I/O defined as outputs
Input voltage	0...24 V general purpose I/O defined as inputs 0...24 V general purpose I/O defined as outputs
Residual ripple	2 V at nominal voltage
Electrical connection	1 connector wire crimp 4 pins motor interface 1 connector wire crimp 2 pins supply voltage 1 connector wire crimp 14 pins multifunction interface 1 connector wire crimp 10 pins communication interface
Transmission Rate	4.8, 9.6, 19.2, 38.4, 115 kbauds
Type of cooling	Convection
Width	2.99 in (76 mm)
Height	2.13 in (54 mm)
Depth	3.90 in (99 mm)
Marking	CE
Net Weight	0.75 lb(US) (0.34 kg)

Environment

Electromagnetic compatibility	Electrostatic discharge IEC 61000-4-2 Immunity to radiated radio-electrical interference IEC 61000-4-3 Immunity to electrical transients IEC 61000-4-4 Voltage/Current impulse IEC 61000-4-5 Immunity to voltage dips IEC 61000-4-11 Immunity to conducted RF disturbances IEC 61000-4-6
Standards	EN 55011 group 1 class A EN 61000-3-3 IEC 61000-3-2
Ambient air temperature for operation	32...122 °F (0...50 °C) without derating with flange motor mounted on a steel plate 300 x 300 x 10 mm 122...149 °F (50...65 °C) with power derating of 2.2 % per °C with flange motor mounted on a steel plate 300 x 300 x 10 mm
Ambient Air Temperature for Storage	-13...158 °F (-25...70 °C)
Relative humidity	15...85 % without condensation
Operating altitude	<= 3280.84 ft (1000 m) without derating
IP degree of protection	IP20

Ordering and shipping details

Category	11300-MISC. ITEMS
Discount Schedule	NET
GTIN	3606480190391
Returnability	No

Packing Units

Unit Type of Package 1	PCE
Number of Units in Package 1	1
Package 1 Height	3.54 in (9.0 cm)
Package 1 Width	5.28 in (13.4 cm)
Package 1 Length	7.76 in (19.7 cm)
Package 1 Weight	18.31 oz (519.0 g)
Unit Type of Package 2	S03
Number of Units in Package 2	8
Package 2 Height	11.81 in (30.0 cm)
Package 2 Width	11.81 in (30.0 cm)
Package 2 Length	15.75 in (40.0 cm)
Package 2 Weight	10.73 lb(US) (4.865 kg)

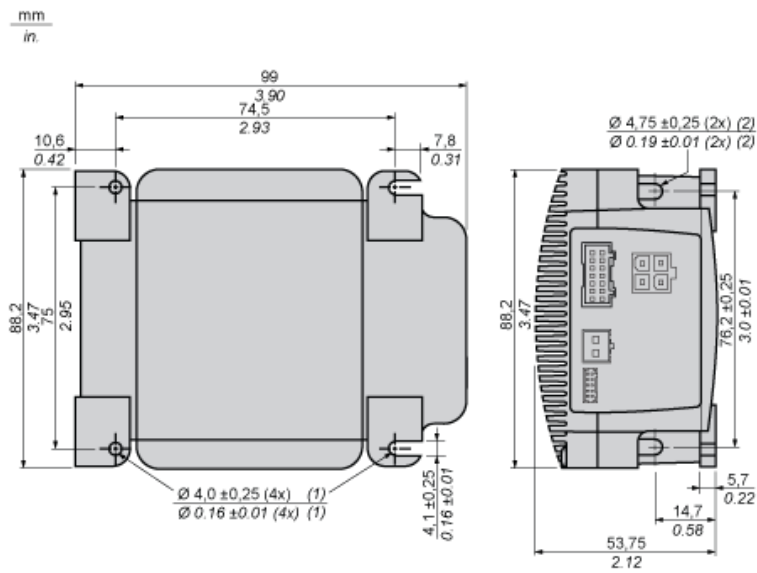
Offer Sustainability

California proposition 65	WARNING: This product can expose you to chemicals including: Lead and lead compounds, which is known to the State of California to cause cancer and birth defects or other reproductive harm. For more information go to www.P65Warnings.ca.gov
REACH Regulation	REACH Declaration
EU RoHS Directive	Pro-active compliance (Product out of EU RoHS legal scope)
Mercury free	Yes
China RoHS Regulation	China RoHS Declaration
RoHS exemption information	Yes
PVC free	Yes

Contractual warranty

Warranty	18 months
----------	-----------

Dimensions



- (1) M3.5 screws for flat mount.
- (2) M4 screws for end mount.