

# Product data sheet

## Characteristics

# 9050JCK60V24

Timing Relay, Type JCK, plug In, on delay, programmable, 0.5 second to 999 hours, 10A, 240 VAC, 240 VAC 50/60 Hz



### Main

Product range	9050JCK
Product type	Timer
Timing mode	On-delay
Timing range	0.1...99.9 h 1...999 h 0.05...9.99 s 1...999 min 1...999 s 0.1...99.9 s
Supply voltage	240 V AC

### Complementary

Power consumption	3.2 VA
Current rating	10 A
Switch function	DPDT
Contact composition	2 NO + 2 NC
Contact material	Silver nickel
Maximum switching voltage	240 V AC
Mounting type	Socket
Number of pins	8
Shape of pins	Tubular
For use with	8501NR52 8501NR51

### Environment

Certifications	UL Recognized[RETURN]UL Listed[RETURN]CE
Ambient temperature range - operational	-18...122 °F (-28...50 °C)
Height	2.36 in (60 mm)
Width	1.73 in (44 mm)
Depth	3.58 in (91 mm)

### Ordering and shipping details

Category	21652-9050 JCK60, 70 PROGRAMMABLE TIMERS
Discount Schedule	CP2
GTIN	785901136903
Returnability	Yes
Country of origin	US

The information provided in this documentation contains general descriptions and/or technical characteristics of the performance of the products contained herein. This documentation is not intended as a substitute for and is not to be used for determining suitability or reliability of these products for specific user applications. It is the duty of any such user or integrator to perform the appropriate and complete risk analysis, evaluation and testing of the products with respect to the relevant specific application or use thereof. Neither Schneider Electric Industries SAS nor any of its affiliates or subsidiaries shall be responsible or liable for misuse of the information contained herein.

## Packing Units

Unit Type of Package 1	PCE
Number of Units in Package 1	1
Package 1 Height	1.90 in (4.826 cm)
Package 1 Width	4.30 in (10.922 cm)
Package 1 Length	2.60 in (6.604 cm)
Package 1 Weight	4.48 oz (127.006 g)

## Offer Sustainability

Sustainable offer status	Green Premium product
REACH Regulation	<a href="#">REACH Declaration</a>
REACH free of SVHC	Yes
EU RoHS Directive	Pro-active compliance (Product out of EU RoHS legal scope) <a href="#">EU RoHS Declaration</a>
Toxic heavy metal free	Yes
Mercury free	Yes
China RoHS Regulation	<a href="#">China RoHS Declaration</a>
RoHS exemption information	<a href="#">Yes</a>
Environmental Disclosure	<a href="#">Product Environmental Profile</a>
Circularity Profile	<a href="#">End Of Life Information</a>

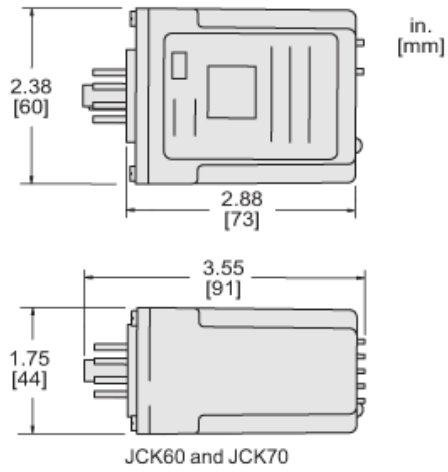
## Contractual warranty

Warranty	18 months
----------	-----------

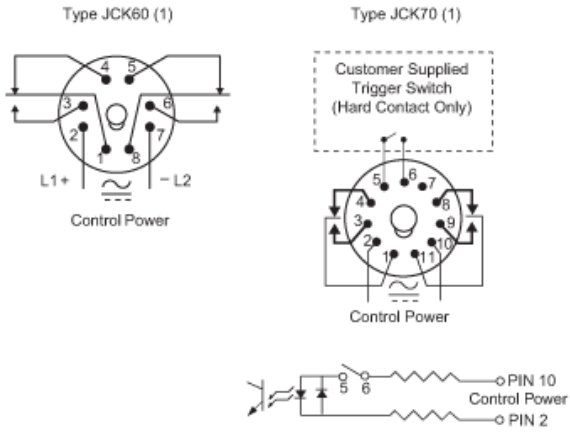
---

Approximate Dimensions

---



Connections and Wiring Diagrams



(1) Do not apply DC voltage to the 240 Vac timers (voltage code V24).