



Main

| | |
|---------------------------|--------------------------------------|
| Range of product | Modicon Momentum automation platform |
| Product or component type | Analogue output base |

Complementary

| | |
|---------------------------------------|--|
| Analogue output number | 4 |
| Data format | Full 16 bits signed |
| Analogue output range | +/- 10 V 12 bits + sign >= 1 kOhm 4...20 mA 12 bits + sign <= 0.6 kOhm |
| Maximum load capacitance | 1 µF |
| Absolute accuracy error | +/- 0.2 % of full scale +/- 10 V 77 °F (25 °C) +/- 0.25 % full scale 4...20 mA 140 °F (60 °C) +/- 0.4 % of full scale +/- 10 V 77 °F (25 °C) +/- 0.5 % of full scale 4...20 mA 140 °F (60 °C) |
| Temperature drift | 10 % full scale/°C +/- 10 V 140 °F (60 °C) 30 % full scale/°C 4...20 mA 140 °F (60 °C) |
| Update time | 2 ms |
| Full scale | 10 V +/- 10 V 2 mA 4...20 mA |
| Fail state | Reset to zero Hold Reset to full scale |
| Isolation between channels and ground | 500 V AC for 1 minute |
| Maximum power dissipation in W | 8.5 W |
| Protection type | Internal 2 A slow-blow |
| Output short-circuit protection | With in voltage circuit |
| External power requirement | +/- 30 V DC 24 V DC |
| Permissible common mode voltage | 250 V 47...63 Hz AC between channels to ground 250 V 47...63 Hz DC |
| Reverse polarity protection | Internal |
| Marking | CE |
| Local signalling | Channel status 4 LEDs |
| Current consumption | 150 mA 24 V DC actuator 530 mA 24 V DC base |
| Module format | Standard |
| Height | 4.92 in (125 mm) |
| Depth | 1.87 in (47.5 mm) |
| Maximum Width | 5.57 in (141.5 mm) |
| Net Weight | 0.47 lb(US) (0.215 kg) |

Environment

| | |
|---------------------------------------|---|
| Product certifications | CSA UL |
| Protective treatment | Conformal coating Humiseal 1A33 TC |
| Resistance to electrostatic discharge | 4 KV contact IEC 801-2 8 kV on air IEC 801-2 |
| Resistance to electromagnetic fields | 10 V/m 80...1000 MHz conforming to IEC 801-3 |
| Ambient air temperature for operation | 32...140 °F (0...60 °C) |
| Ambient air temperature for storage | -40...185 °F (-40...85 °C) |
| Relative humidity | 95 % without condensation |
| Operating altitude | <= 16404.2 ft (5000 m) |

Ordering and shipping details

| | |
|-----------------------|---|
| Category | 18206 - MOMENTUM PROCESSORS,I/O BASES,CONN. |
| Discount Schedule | PC31 |
| GTIN | 03595863798166 |
| Nbr. of units in pkg. | 1 |
| Package weight(Lbs) | 1 lb(US) (0.45 kg) |
| Returnability | No |
| Country of origin | ID |

Packing Units

| | |
|------------------------------|-----------------------|
| Unit Type of Package 1 | PCE |
| Package 1 Height | 2.17 in (5.5 cm) |
| Package 1 width | 7.09 in (18 cm) |
| Package 1 Length | 10.24 in (26 cm) |
| Unit Type of Package 2 | S03 |
| Number of Units in Package 2 | 10 |
| Package 2 Weight | 8.95 lb(US) (4.06 kg) |
| Package 2 Height | 11.81 in (30 cm) |
| Package 2 width | 11.81 in (30 cm) |
| Package 2 Length | 15.75 in (40 cm) |

Offer Sustainability

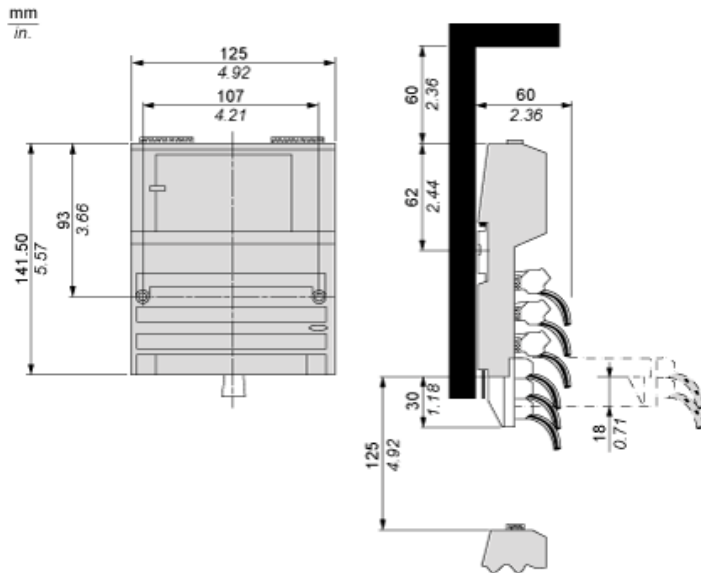
| | |
|----------------------------|---|
| Sustainable offer status | Green Premium product |
| California proposition 65 | WARNING: This product can expose you to chemicals including: Lead and lead compounds, which is known to the State of California to cause cancer and birth defects or other reproductive harm. For more information go to www.P65Warnings.ca.gov |
| REACH Regulation | REACH Declaration |
| EU RoHS Directive | Pro-active compliance (Product out of EU RoHS legal scope) EU RoHS Declaration |
| Mercury free | Yes |
| RoHS exemption information | Yes |
| China RoHS Regulation | China RoHS Declaration |
| Environmental Disclosure | Product Environmental Profile |
| Circularity Profile | End Of Life Information |
| WEEE | The product must be disposed on European Union markets following specific waste collection and never end up in rubbish bins. |

Contractual warranty

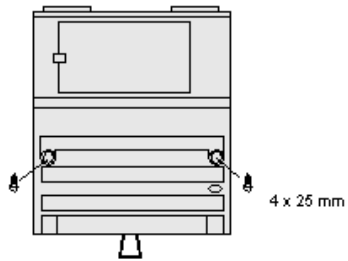
| | |
|----------|-----------|
| Warranty | 18 months |
|----------|-----------|

Standard Adapter on a Typical Base

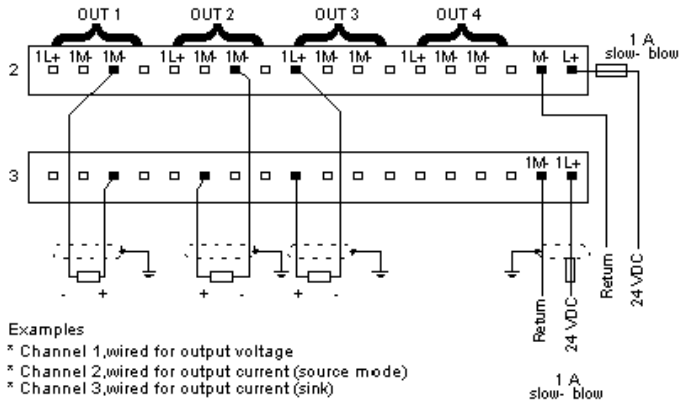
Dimensions



Mounting on a Wall



External Wiring Diagram



Internal Pin Connections

