



The information provided in this documentation contains general descriptions and/or technical characteristics of the performance of the products contained herein. This documentation is not intended as a substitute for and is not to be used for determining suitability or reliability of these products for specific user applications. It is the duty of any such user or integrator to perform the appropriate and complete risk analysis, evaluation and testing of the products with respect to the relevant specific application or use thereof. Neither Schneider Electric Industries SAS nor any of its affiliates or subsidiaries shall be responsible or liable for misuse of the information contained herein.



Main

| | |
|---|---|
| Range | TeSys TeSys Deca |
| Product name | TeSys D TeSys Deca |
| Product or Component Type | Reversing contactor |
| Device short name | LC2D |
| Contactor application | Resistive load Motor control |
| Utilisation category | AC-3 AC-1 AC-3e |
| Device presentation | Preassembled with reversing power busbar |
| Poles description | 3P |
| Power pole contact composition | 3 NO |
| [Ue] rated operational voltage | Power circuit <= 690 V AC 25...400 Hz Power circuit <= 300 V DC |
| [Ie] rated operational current | 50 A (at <140 °F (60 °C)) at <= 440 V AC AC-3 for power circuit 80 A (at <140 °F (60 °C)) at <= 440 V AC AC-1 for power circuit 50 A (at <140 °F (60 °C)) at <= 440 V AC AC-3e for power circuit |
| Motor power kW | 15 kW at 220...230 V AC 50-60 Hz 22 kW at 380...400 V AC 50-60 Hz 30 kW at 500 V AC 50-60 Hz 33 kW at 660...690 V AC 50-60 Hz 25 kW at 415 V AC 50-60 Hz 30 kW at 440 V AC 50-60 Hz |
| Motor power HP (UL / CSA) | 3 Hp at 115 V AC 60 Hz for 1 phase motors 7.5 Hp at 230/240 V AC 60 Hz for 1 phase motors 15 Hp at 200/208 V AC 60 Hz for 3 phase motors 15 Hp at 230/240 V AC 60 Hz for 3 phase motors 40 Hp at 460/480 V AC 60 Hz for 3 phase motors 40 hp at 575/600 V AC 60 Hz for 3 phase motors |
| Control circuit type | AC 50/60 Hz |
| [Uc] control circuit voltage | 220 V AC 50/60 Hz |
| Auxiliary contact composition | 1 NO + 1 NC |
| [Uimp] rated impulse withstand voltage | 6 kV IEC 60947 |
| Overvoltage category | III |
| [Ith] conventional free air thermal current | 10 A (at 140 °F (60 °C)) for signalling circuit 80 A (at 140 °F (60 °C)) for power circuit |
| Irms rated making capacity | 140 A AC for signalling circuit conforming to IEC 60947-5-1 250 A DC for signalling circuit conforming to IEC 60947-5-1 900 A at 440 V for power circuit conforming to IEC 60947 |
| Rated breaking capacity | 900 A at 440 V for power circuit conforming to IEC 60947 |
| [Icw] rated short-time withstand current | 400 A 104 °F (40 °C) - 10 s for power circuit 810 A 104 °F (40 °C) - 1 s for power circuit 84 A 104 °F (40 °C) - 10 min for power circuit 208 A 104 °F (40 °C) - 1 min for power circuit 100 A - 1 s for signalling circuit 120 A - 500 ms for signalling circuit 140 A - 100 ms for signalling circuit |

| | |
|-------------------------------|--|
| Associated fuse rating | 10 A gG for signalling circuit conforming to IEC 60947-5-1 100 A gG at ≤ 690 V coordination type 1 for power circuit 100 A gG at ≤ 690 V coordination type 2 for power circuit |
| Average impedance | 1.5 mOhm - Ith 80 A 50 Hz for power circuit |
| [Ui] rated insulation voltage | Power circuit 690 V IEC 60947-4-1 Power circuit 600 V CSA Power circuit 600 V UL Signalling circuit 690 V IEC 60947-1 Signalling circuit 600 V CSA Signalling circuit 600 V UL |
| Electrical durability | 1.45 Mcycles 50 A AC-3 ≤ 440 V 1.1 Mcycles 80 A AC-1 ≤ 440 V 1.45 Mcycles 50 A AC-3e ≤ 440 V |
| Power dissipation per pole | 3.7 W AC-3 9.6 W AC-1 3.7 W AC-3e |
| Front cover | With |
| Interlocking type | Mechanical |
| Mounting Support | Plate Rail |
| Standards | CSA C22.2 No 14 EN 60947-4-1 EN 60947-5-1 IEC 60947-4-1 IEC 60947-5-1 UL 508 IEC 60335-1 |
| Product Certifications | UL[RETURN]CSA[RETURN]RINA[RETURN]GOST[RETURN]CCO (Lloyds register of shipping) [RETURN]GL[RETURN]BV[RETURN]UKCA |
| Connections - terminals | Control circuit screw clamp terminals 1 0.00... 0.01 in ² (1...4 mm ²)flexible without cable end Control circuit screw clamp terminals 2 0.00... 0.01 in ² (1...4 mm ²)flexible without cable end Control circuit screw clamp terminals 1 0.00... 0.01 in ² (1...4 mm ²)flexible with cable end Control circuit screw clamp terminals 2 0.00... 0.00 in ² (1...2.5 mm ²)flexible with cable end Control circuit screw clamp terminals 1 0.00... 0.01 in ² (1...4 mm ²)solid Control circuit screw clamp terminals 2 0.00... 0.01 in ² (1...4 mm ²)solid Power circuit EverLink BTR screw connectors 1 0.00...0.05 in ² (1...35 mm ²)flexible without cable end Power circuit EverLink BTR screw connectors 2 0.00...0.04 in ² (1...25 mm ²)flexible without cable end Power circuit EverLink BTR screw connectors 1 0.00...0.05 in ² (1...35 mm ²)flexible with cable end Power circuit EverLink BTR screw connectors 2 0.00...0.04 in ² (1...25 mm ²)flexible with cable end Power circuit EverLink BTR screw connectors 1 0.00...0.05 in ² (1...35 mm ²)solid Power circuit EverLink BTR screw connectors 2 0.00...0.04 in ² (1...25 mm ²)solid |
| Tightening torque | Control circuit 15.05 lbf.in (1.7 N.m) screw clamp terminals flat Ø 6 mm Control circuit 15.05 lbf.in (1.7 N.m) screw clamp terminals Philips No 2 Power circuit 70.81 lbf.in (8 N.m) EverLink BTR screw connectors 0.04...0.05 in ² (25...35 mm ²) hexagonal 0.16 in (4 mm) Power circuit 44.25 lbf.in (5 N.m) EverLink BTR screw connectors 0.00...0.04 in ² (1...25 mm ²) hexagonal 0.16 in (4 mm) Control circuit 15.05 lbf.in (1.7 N.m) screw clamp terminals pozidriv No 2 Power circuit 22.13 lbf.in (2.5 N.m) screw clamp terminals pozidriv No 2 |
| Operating time | 4...19 ms opening 12...26 ms closing |

| | |
|--------------------------|--|
| Safety reliability level | B10d = 1369863 cycles contactor with nominal load EN/ISO 13849-1 B10d = 20000000 cycles contactor with mechanical load EN/ISO 13849-1 |
| Mechanical durability | 6 Mcycles |
| Maximum operating rate | 3600 cyc/h 140 °F (60 °C) |

Complementary

| | |
|---------------------------------|---|
| Coil technology | Without built-in suppressor module |
| Control circuit voltage limits | 0.3...0.6 Uc -40...158 °F (-40...70 °C) drop-out AC 50/60 Hz 0.8...1.1 Uc -40...140 °F (-40...60 °C) operational AC 50 Hz 0.85...1.1 Uc -40...140 °F (-40...60 °C) operational AC 60 Hz 1...1.1 Uc 140...158 °F (60...70 °C) operational AC 50/60 Hz |
| Inrush power in VA | 140 VA 60 Hz cos phi 0.75 (at 68 °F (20 °C)) 160 VA 50 Hz cos phi 0.75 (at 68 °F (20 °C)) |
| Hold-in power consumption in VA | 13 VA 60 Hz cos phi 0.3 (at 68 °F (20 °C)) 15 VA 50 Hz cos phi 0.3 (at 68 °F (20 °C)) |
| Heat dissipation | 4...5 W 50/60 Hz |
| Auxiliary contacts type | Mechanically linked 1 NO + 1 NC IEC 60947-5-1 Mirror contact 1 NC IEC 60947-4-1 |
| Signalling circuit frequency | 25...400 Hz |
| Minimum switching current | 5 mA for signalling circuit |
| Minimum switching voltage | 17 V for signalling circuit |
| Non-overlap time | 1.5 Ms on de-energisation between NC and NO contact 1.5 ms on energisation between NC and NO contact |
| Insulation resistance | > 10 MOhm for signalling circuit |

Environment

| | |
|---------------------------------------|--|
| IP degree of protection | IP20 front face IEC 60529 |
| Climatic withstand | IACS E10 IEC 60947-1 Annex Q category D |
| Protective treatment | TH IEC 60068-2-30 |
| Pollution degree | 3 |
| Ambient air temperature for operation | -40...140 °F (-40...60 °C) 140...158 °F (60...70 °C) with derating |
| Ambient Air Temperature for Storage | -76...176 °F (-60...80 °C) |
| Operating altitude | 0...9842.52 ft (0...3000 m) |
| Fire resistance | 1562 °F (850 °C) IEC 60695-2-1 |
| Flame retardance | V1 conforming to UL 94 |
| Mechanical robustness | Vibrations contactor open ² Gn, 5...300 Hz Vibrations contactor closed ⁴ Gn, 5...300 Hz Shocks contactor open ¹⁰ Gn for 11 ms Shocks contactor closed ¹⁵ Gn for 11 ms |
| Height | 4.80 in (122 mm) |
| Width | 4.69 in (119 mm) |
| Depth | 4.72 in (120 mm) |
| Net Weight | 4.14 lb(US) (1.88 kg) |

Ordering and shipping details

| | |
|-------------------|-------------------------------------|
| Category | 22357-CTR, TESYS D, OPEN, 40-65A AC |
| Discount Schedule | I12 |
| GTIN | 3389119409599 |
| Returnability | No |
| Country of origin | FR |

Packing Units

| | |
|------------------------------|---------------------------|
| Unit Type of Package 1 | PCE |
| Number of Units in Package 1 | 1 |
| Package 1 Height | 5.51 in (14.000 cm) |
| Package 1 Width | 6.50 in (16.500 cm) |
| Package 1 Length | 7.68 in (19.500 cm) |
| Package 1 Weight | 4.57 lb(US) (2.071 kg) |
| Unit Type of Package 2 | S03 |
| Number of Units in Package 2 | 4 |
| Package 2 Height | 11.81 in (30.000 cm) |
| Package 2 Width | 11.81 in (30.000 cm) |
| Package 2 Length | 15.75 in (40.000 cm) |
| Package 2 Weight | 19.19 lb(US) (8.704 kg) |
| Unit Type of Package 3 | P06 |
| Number of Units in Package 3 | 32 |
| Package 3 Height | 29.53 in (75.000 cm) |
| Package 3 Width | 31.50 in (80.000 cm) |
| Package 3 Length | 23.62 in (60.000 cm) |
| Package 3 Weight | 171.15 lb(US) (77.632 kg) |

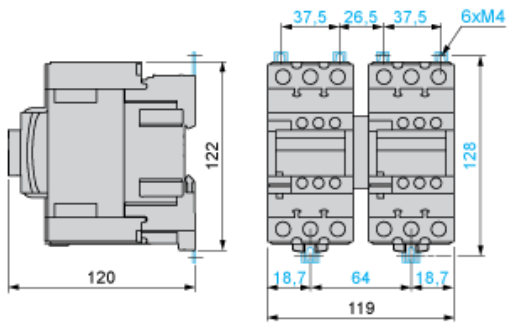
Offer Sustainability

| | |
|----------------------------|---|
| Sustainable offer status | Green Premium product |
| California proposition 65 | WARNING: This product can expose you to chemicals including: Antimony oxide & Antimony trioxide, which is known to the State of California to cause cancer. For more information go to www.P65Warnings.ca.gov |
| REACH Regulation | REACH Declaration |
| REACH free of SVHC | Yes |
| EU RoHS Directive | Compliant EU RoHS Declaration |
| Toxic heavy metal free | Yes |
| Mercury free | Yes |
| China RoHS Regulation | China RoHS Declaration |
| RoHS exemption information | Yes |
| Environmental Disclosure | Product Environmental Profile |
| Circularity Profile | End Of Life Information |
| WEEE | The product must be disposed on European Union markets following specific waste collection and never end up in rubbish bins. |
| PVC free | Yes |

Contractual warranty

| | |
|----------|-----------|
| Warranty | 18 months |
|----------|-----------|

Dimensions



Wiring

