

ABE9C1280L10

IP67 passive splitter box - cable 10 m - with 8 channels M12 connector



Main

Range of Product	Advantys ABE9
Product or Component Type	IP67 passive splitter box
Number of Channels	8
Electrical connection	1 pre-wired cable connector, 32.81 ft (10 m) 8 female connectors M12 5 pins
Status LED	Without

Complementary

Number of ways	16 ways
[Ue] rated operational voltage	24 V DC
Current per channel	4 A
Insulation group	Category 3 VDE 0110
Operating position	Any position
Fixing Mode	M4 screw fixing
Contact resistance	5000 µOhm
Current of common	16 A 0.00 in ² (1 mm ²) 12 A 0.00 in ² (0.75 mm ²)
Separation of commons	Without or with
Net Weight	6.75 lb(US) (3.06 kg)

Environment

IP degree of protection	IP67 conforming to IEC 529
Product Certifications	cULus
Ambient Air Temperature for Operation	-4...176 °F (-20...80 °C)
Ambient Air Temperature for Storage	-40...185 °F (-40...85 °C)
Vibration resistance	0.2 gn 57...150 Hz)IEC 68-2-6, FC tests
Shock resistance	30 gn 11 ms EN 68-2-2

Ordering and shipping details

Category	18218-ADVANTYS FTB/FTM/ABE9
Discount Schedule	PC32
GTIN	3389110404715
Returnability	No
Country of origin	DE

Packing Units

Unit Type of Package 1	PCE
Number of Units in Package 1	1
Package 1 Height	3.86 in (9.800 cm)
Package 1 Width	11.97 in (30.400 cm)
Package 1 Length	13.31 in (33.800 cm)
Package 1 Weight	5.36 lb(US) (2.432 kg)

Unit Type of Package 2	S03
Number of Units in Package 2	4
Package 2 Height	11.81 in (30.000 cm)
Package 2 Width	11.81 in (30.000 cm)
Package 2 Length	15.75 in (40.000 cm)
Package 2 Weight	22.99 lb(US) (10.430 kg)

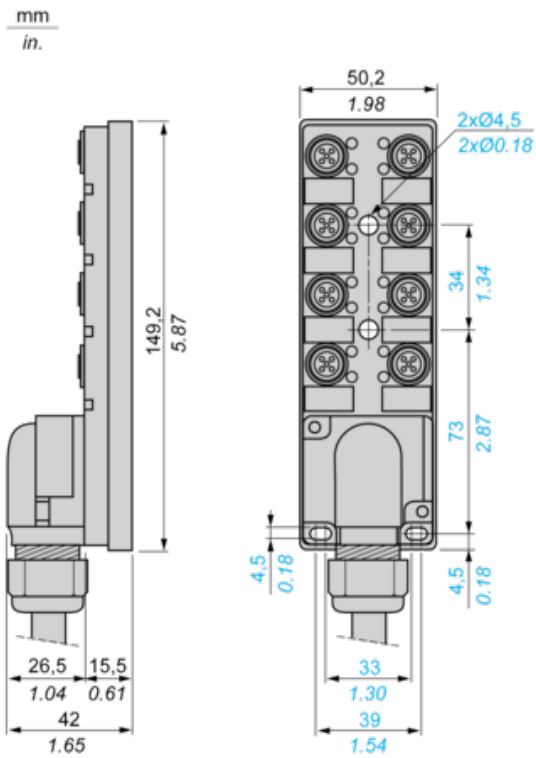
Offer Sustainability

California proposition 65	WARNING: This product can expose you to chemicals including: Lead and lead compounds, which is known to the State of California to cause cancer and birth defects or other reproductive harm. For more information go to www.P65Warnings.ca.gov
REACH Regulation	REACH Declaration
EU RoHS Directive	Pro-active compliance (Product out of EU RoHS legal scope)
Mercury free	Yes
China RoHS Regulation	China RoHS Declaration
RoHS exemption information	Yes
WEEE	The product must be disposed on European Union markets following specific waste collection and never end up in rubbish bins.

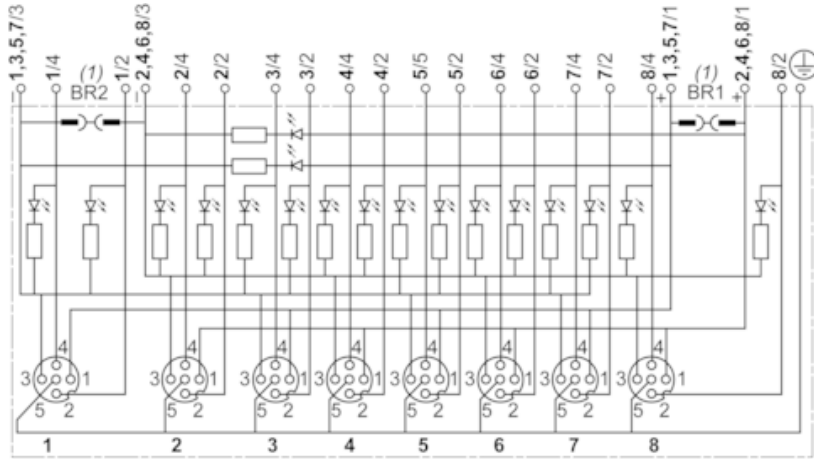
Contractual warranty

Warranty	18 months
----------	-----------

Dimensions



Wiring Diagram



(1) BR1 and BR2: removable link

Item	Terminal	Wire
1/4	1	White
1/2	9	Grey/pink
2/4	2	Green
2/2	10	Red/blue
3/4	3	Yellow
3/2	11	White/green
4/4	4	Grey
4/2	12	Brown/green
5/4	5	Pink
5/2	13	White/yellow
6/4	6	Red
6/2	14	Yellow/brown
7/4	7	Black
7/2	15	White/grey
8/4	8	Violet
8/2	16	Grey/brown
1, 3, 5 & 7/1	+1	Brown 1
2, 4, 6 & 8/1	+2	Brown 2
1, 3, 5 & 7/3	-1	Blue 1
2, 4, 6 & 8/3	-2	Blue 2
1...8/5	PE	Green/yellow

Connection Terminals

