

Main

| | |
|----------------------------------|--|
| Range of product | Telemecanique Safety light curtains XUSL |
| Product or component type | Safety light curtain type 2 |
| Device short name | XUSL2E |
| Output type | 2 safety outputs OSSD solid-state PNP (arc suppression) |
| Product specific application | For hand protection |
| [R] Resolution | 1.18 in (30 mm) |
| [Sn] nominal sensing distance | 9.84...32.81 ft (3...10 m) by cabling 0.00...9.84 ft (0...3 m) by cabling |
| [Hp] Height protected | 41.73 in (1060 mm) |
| Number of beams | 53 |
| Type of start / restart | Manual Automatic |
| External Device Monitoring (EDM) | Selected by wiring |

Complementary

| | |
|--------------------------------|--|
| Detection system | Transmitter-receiver system |
| Response time | 14.5 ms |
| Kit composition | adjustable mounting bracket(s) 1 receiver(s) 1 transmitter(s) 1 user guide with certificate of conformity on CD-ROM silicone o-ring(s) 1 PVC cable(s) |
| [EAA] effective aperture angle | 5 ° at 3 m |
| Emission | IR LED 950 nm |
| [Us] rated supply voltage | 24 V DC +/- 20 % |
| Supply | Power supply conforming to IEC 61496-1 Power supply conforming to IEC 60204-1 |
| [Ie] rated operational current | 2 A |

Disclaimer: This documentation is not intended as a substitute for and is not to be used for determining suitability or reliability of these products for specific user applications

| | |
|--------------------------------|---|
| Current consumption | 42 mA no-load transmitter 83 mA no-load receiver 42 mA transmitter 900 mA with maximum load receiver |
| Output current limits | 0.4 A for safety outputs OSSD |
| Output voltage | 24 V |
| Output circuit type | DC |
| Maximum voltage drop | <0.5 V |
| Local signalling | 1 multi-colour LED transmitter 2 dual colour LEDs receiver |
| Electrical connection | 1 male connector M12 5 pins transmitter 1 male connector M12 8 pins receiver |
| Type of cable | Unshielded cable AWG 22 32.81 ft (10 m) |
| Ohmic cable resistance (per m) | 55.31 mOhm |
| Function available | Test Muting through external safety module XPSLCMUT1160 LED display of operating modes and faults Anti-condensation system |
| Marking | CE |
| Material | PMMA (polymethyl methacrylate) tube Stainless steel AISI 316L sealing plug PVC (polyvinyl chloride): cable |
| Housing colour | Red RAL 3000 |
| Fixing mode | By fixing brackets |
| Net weight | 13.36 lb(US) (6.06 kg) |
| Offer type | Standard distance |
| Provided equipment | Without heating system |

Environment

| | |
|---------------------------------------|--|
| Directives | 2002/95/EC - RoHS directive 89/336/EEC - electromagnetic compatibility 2002/96/EC - WEEE directive 89/655/EEC - work equipment 98/37/EEC - machinery |
| Product certifications | TÜV CULus CE Ecolab |
| Safety level (correctly wired) | Type 2 IEC 61496-1 Category 2 EN/ISO 13849-1 SIL 1 IEC 61508 SILCL 1 IEC 62061 PL = c EN/ISO 13849-1 |
| Optical characteristic | Resistance to light disturbance conforming to EN/IEC 61496-2 |
| Mission time | 20 year(s) |
| Safety reliability data | PFHd = 5.83E-8 1/h IEC 61508 |
| Ambient air temperature for operation | -22...131 °F (-30...55 °C) 14...131 °F (-10...55 °C) |
| Ambient air temperature for storage | -22...158 °F (-30...70 °C) -13...158 °F (-25...70 °C) |
| Relative humidity | 0...95 % without condensation |
| IP degree of protection | IP69K |
| Shock resistance | 10 gn for 16 ms conforming to IEC 61496-1 |
| Vibration resistance | 0.35 +/- 0.05 mm (f= 10...55 Hz) conforming to IEC 61496-1 |

Packing Units

| | |
|------------------------------|-------------------------|
| Unit Type of Package 1 | PCE |
| Number of Units in Package 1 | 1 |
| Package 1 Weight | 16.32 lb(US) (7.402 kg) |

| | |
|------------------|-------------------|
| Package 1 Height | 5.31 in (13.5 cm) |
| Package 1 width | 7.68 in (19.5 cm) |
| Package 1 Length | 46.85 in (119 cm) |

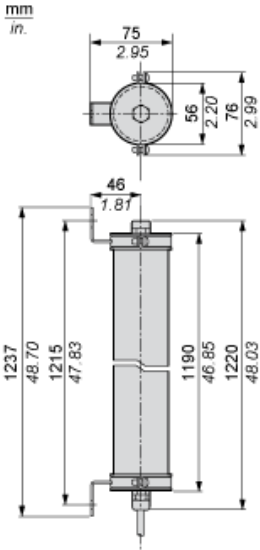
Offer Sustainability

| | |
|----------------------------|---|
| Sustainable offer status | Green Premium product |
| REACH Regulation | REACH Declaration |
| REACH free of SVHC | Yes |
| EU RoHS Directive | Pro-active compliance (Product out of EU RoHS legal scope) EU RoHS Declaration |
| Toxic heavy metal free | Yes |
| Mercury free | Yes |
| RoHS exemption information | Yes |
| Environmental Disclosure | Product Environmental Profile |
| Circularity Profile | End of Life Information |

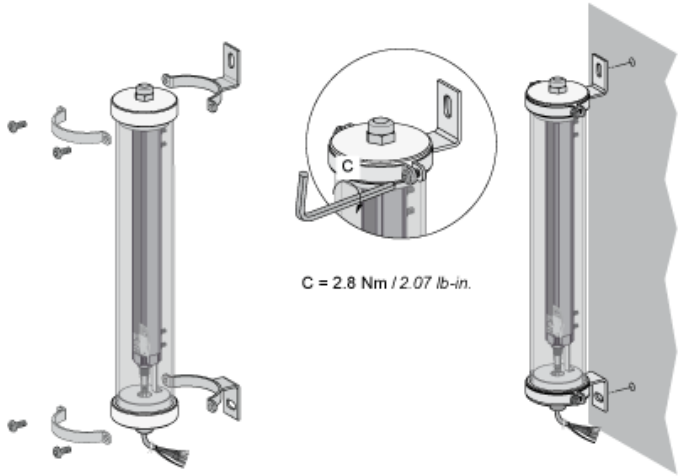
Contractual warranty

| | |
|----------|-----------|
| Warranty | 18 months |
|----------|-----------|

Dimensions



Mounting and Clearance



Wiring Diagrams

Transmitter Pre-wired

Brown: +24 Vdc

White: Configuration_0

Blue: 0 Vdc

Green or Black: Configuration_1

Grey: Functional Earth

Pink: Not connected

Receiver pre-wired

White: Output signal switching device 1

Brown: +24 Vdc

Green: Output signal switching device 2

Yellow: Configuration_A

Grey: K1_K2 Feedback/Restart

Pink: Configuration_B

Blue: 0 Vdc

Yellow/Green (or Red): Functional Earth

For configuration_A and configuration_B, please refer to receiver configuration and operating modes

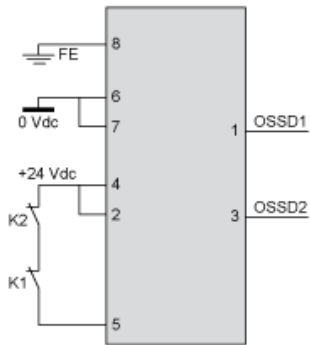
Receiver Configurations and Operating Modes

Automatic Start/Restart

Without External Device Monitoring (EDM) feedback loop

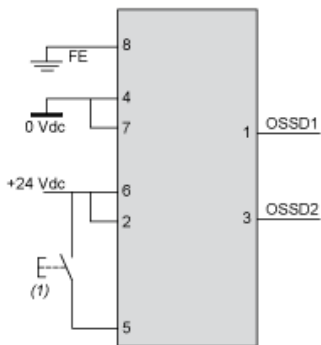


With External Device Monitoring (EDM) feedback loop



Manual Start/Restart

Without External Device Monitoring (EDM) feedback loop



(1) Restart

With External Device Monitoring (EDM) feedback loop



(1) Restart

Connecting to a Safety Interface

The screenshot shows a web interface for product documentation. On the left, a sidebar titled 'Discover XUSL4E14F016N by' contains a list of categories: Characteristics, Dimensions Drawings, Mounting and Clearance, Connections and Schema, and Download & Documents. The 'Download & Documents' link is highlighted with a red box and a circled '1' below it. A vertical line connects this link to the 'Download & Documents 1 to 9 of 9' section on the right. This section contains several document entries. The 'Application solutions' entry, titled 'Safety light curtains association with safety interfaces', is highlighted with a red box and a circled '2' below it. Other entries include 'Image of product', 'Product environmental', 'End of life manual', 'Catalog', and 'User guide'.

- 1 : Click on Download & Documents
- 2 : Click on Application solutions

To have all connection schematics concerning our safety module, select "download and document" and download the file "Safety light curtains association with safety interfaces"