



Main

Range of Product	Modicon STB distributed I/O solution
Product or Component Type	Standard digital input kit
Kit composition	STBXTS2110, 5-terminal spring clamp connector STBXBA2000 base STBXTS1110, 5-terminal screw type connector STBDAI5230 module
Discrete input number	2
Discrete input voltage	115 V
Discrete input voltage type	AC

Complementary

Input voltage limits	0...20 V at state 0 74...132 V at state 1
Permissible voltage	132 V
Absolute maximum voltage	200 V 20 ms
Network Frequency	50/60 Hz
Network frequency limits	47...63 Hz
Current state 0 guaranteed	<= 2 mA
Current state 1 guaranteed	>= 4 mA
Response time	1.5 ms off-to-on 1.5 ms on-to-off
Protection type	Power protection integrated fuse on PDM time lag 10 A Input protection resistor-limited
Insulation between channels and logic bus	1780 V for 1 minute
Cold swapping	Yes
Hot swapping	Yes for standard NIMs
Current supplied by sensor	<= 60 mA per channel
Product Compatibility	I/O base STBXBA2000 Power distribution module STBPDT2100/2105
[Us] rated supply voltage	115/230 V AC
Supply	Power distribution module
Current consumption	40 mA 5 V DC logic bus
Marking	CE
Overvoltage category	II
Status LED	1 LED (Green) module status (RDY) 1 LED per channel (Green) channel status (IN1 to IN2) 1 LED (Red) module error (ERR)
Depth	2.56 in (65.1 mm)
Height	0.72 in (18.4 mm)
Width	4.92 in (125 mm)
Net Weight	0.26 lb(US) (0.12 kg)

The information provided in this documentation contains general descriptions and/or technical characteristics of the performance of the products contained herein. This documentation is not intended as a substitute for and is not to be used for determining suitability or reliability of these products for specific user applications. It is the duty of any such user or integrator to perform the appropriate and complete risk analysis, evaluation and testing of the products with respect to the relevant specific application or use thereof. Neither Schneider Electric Industries SAS nor any of its affiliates or subsidiaries shall be responsible or liable for misuse of the information contained herein.

Environment

Standards	EN/IEC 61131-2 type 1
Product Certifications	CSA[RETURN]FM Class 1 Division 2[RETURN]UL
Pollution degree	2 IEC 60664-1
Operating altitude	<= 6561.68 ft (2000 m)
IP degree of protection	IP20 conforming to IEC 61131-2 class 1
Ambient air temperature for operation	32...140 °F (0...60 °C) without derating)
Ambient air temperature for operation	32...140 °F without derating
Ambient air temperature for storage	-40...185 °F (-40...85 °C) without derating
Ambient air temperature for storage	-40...185 °F without derating
Relative humidity	95 % 140 °F (60 °C) without condensation
Vibration resistance	3 gn 58...150 Hz 35 x 7.5 mm symmetrical DIN rail 5 gn 58...150 Hz 35 x 15 mm symmetrical DIN rail +/-0.35 mm 10...58 Hz
Shock resistance	30 gn 11 ms IEC 88 reference 2-27

Ordering and shipping details

Category	18215-ADVANTYS STB I/O
Discount Schedule	PC32
GTIN	3595863989427
Returnability	Yes
Country of origin	ID

Packing Units

Unit Type of Package 1	PCE
Number of Units in Package 1	1
Package 1 Height	1.18 in (3 cm)
Package 1 Width	3.15 in (8 cm)
Package 1 Length	5.12 in (13 cm)
Package 1 Weight	4.90 oz (139 g)
Unit Type of Package 2	S02
Number of Units in Package 2	28
Package 2 Height	5.91 in (15 cm)
Package 2 Width	11.81 in (30 cm)
Package 2 Length	15.75 in (40 cm)
Package 2 Weight	9.52 lb(US) (4.318 kg)
Unit Type of Package 3	P06
Number of Units in Package 3	448
Package 3 Height	29.53 in (75.0 cm)
Package 3 Width	23.62 in (60.0 cm)
Package 3 Length	31.50 in (80.0 cm)
Package 3 Weight	155.91 lb(US) (70.72 kg)

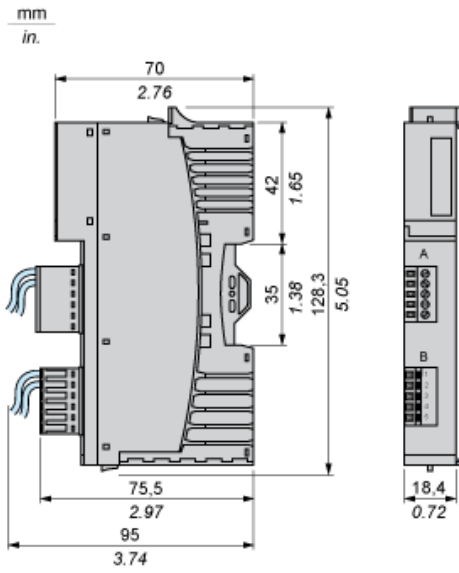
Offer Sustainability

California proposition 65	WARNING: This product can expose you to chemicals including: Lead and lead compounds, which is known to the State of California to cause cancer and birth defects or other reproductive harm. For more information go to www.P65Warnings.ca.gov
REACH Regulation	 REACH Declaration
EU RoHS Directive	Pro-active compliance (Product out of EU RoHS legal scope)
Mercury free	Yes
China RoHS Regulation	 China RoHS Declaration
RoHS exemption information	 Yes
WEEE	The product must be disposed on European Union markets following specific waste collection and never end up in rubbish bins.

Contractual warranty

Warranty	18 months
----------	-----------

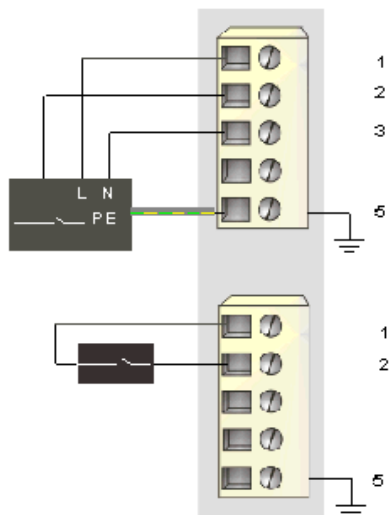
Dimensions



Wiring Diagram

Example

1 three-wire sensor and 1 two-wire sensor



Pin	Top Connector	Bottom Connector
1	115 VAC sensor bus power (L)	115 VAC sensor bus power (L)
2	input from sensor 1	input from sensor 2
3	field power neutral (to the module)	field power neutral (to the module)
4	field power neutral (to the module)	field power neutral (to the module)
5	protective earth	protective earth