

IE-TO-RJ45-FJ-B**Weidmüller Interface GmbH & Co. KG**

Klingenbergstraße 26

D-32758 Detmold

Germany

www.weidmueller.com



Mounting rail outlet, RJ45 module design according to IEC 60603-7-51, for wires with diameters up to 1.6 mm

General ordering data

Version	Mounting rail outlet, RJ45, EIA/TIA T568 B, IP20, Cat.6A / Class EA (ISO/IEC 11801 2010)
Order No.	8946940000
Type	IE-TO-RJ45-FJ-B
GTIN (EAN)	4032248734924
Qty.	10 pc(s).
Reference product	1963840000

Creation date November 26, 2024 12:24:45 PM CET

Catalogue status 26.11.2024 / We reserve the right to make technical changes.

IE-TO-RJ45-FJ-B

Weidmüller Interface GmbH & Co. KG

Klingenbergstraße 26

D-32758 Detmold

Germany

www.weidmueller.com

Technical data

Dimensions and weights

Net weight	54.4 g
------------	--------

Temperatures

Operating temperature	-40 °C...70 °C	Humidity	0...93 % rel. humidity
-----------------------	----------------	----------	------------------------

General data

Connection 1	RJ45	Connection 2	IDC
Configuration	Switchable volt. connection from module/coupling to mounting rail	Wiring	EIA/TIA T568 B
Colour	Light Grey	Shock resistance acc. to IEC 60512-6-3	250 ms ⁻²
Vibration resistance acc. to IEC 60512-6-4	50 ms ⁻² sinusoidal (9...500 Hz)	Humidity	0...93 % rel. humidity
Housing main material	PA UL 94 V0, PA 66 UL V0 E63957	Insulation cross-section, min.	0.85 mm
Insulation cross-section, max.	1.6 mm	Category	Cat.6A / Class EA (ISO/IEC 11801 2010)
Contact material	Spring steel, Ni 1.2 µm	Contact surface	Au ≥ 0.8 µm
Connection diameter, solid	0.4...0.64 mm	Conductor connection cross-section, solid (AWG)	AWG 24...AWG 22
Connection diameter, flexible	0.48...0.76 mm	Conductor connection cross-section, flexible (AWG)	AWG 26...AWG 22
Sheath diameter, min.	5.5 mm	Sheath diameter, max.	10 mm
Type of mounting	TS 35	Shielding	Yes
Protection degree	IP20	Plugging cycles	750 (RJ45)
Ability to reconnect	≥ 10 cycles for AWG 23-26, ≥ 4 cycles for AWG 22		

Electrical properties

Contact resistance	≤ 20 mΩ	Current-carrying capacity at 50 °C	1 A
Dielectric strength, contact / contact	≥ 1000 V AC/DC	Dielectric strength, contact / shield	≥ 1500 V AC/DC
Insulation strength	500 MΩ	PoE / PoE+	conforming to IEEE 802.3bt

General standards

Certificate no. (cULus)	E471884	Connector standard	IEC 60603-7-51
-------------------------	---------	--------------------	----------------

Classifications

ETIM 6.0	EC000313	ETIM 7.0	EC000313
ETIM 8.0	EC000313	ETIM 9.0	EC000313
ECLASS 9.0	27-44-03-20	ECLASS 9.1	19-17-01-25
ECLASS 10.0	27-44-03-20	ECLASS 11.0	27-44-03-20
ECLASS 12.0	27-44-03-20	ECLASS 13.0	27-44-03-20
ECLASS 14.0	27-44-03-20		

Environmental Product Compliance

RoHS Compliance Status	Compliant without exemption
REACH SVHC	No SVHC above 0.1 wt%

Creation date November 26, 2024 12:24:45 PM CET

Catalogue status 26.11.2024 / We reserve the right to make technical changes.

IE-TO-RJ45-FJ-B

Weidmüller Interface GmbH & Co. KG
 Klingenbergstraße 26
 D-32758 Detmold
 Germany

www.weidmueller.com

Technical data

Approvals

Approvals



ROHS	Conform
UL File Number Search	UL Website
Certificate no. (cULus)	E47 1884

Downloads

Approval/Certificate/Document of Conformity	ISO/IEC and TIA/EIA DE ISO/IEC EN and TIA/EIA Screened Class E Category 6, 3 connector permanent link ISO/IEC EN and TIA/EIA Screened Class E Category 6, 4 connector channel ISO/IEC EN and TIA/EIA Screened Class EA Category 6A, 2 connector channel Compliance Statement Screened Category 6 ISO/IEC EN and TIA/EIA Connecting Hardware
Engineering Data	CAD data – STEP
User Documentation	MAN IE GUIDE DE MAN IE GUIDE EN Manual
Catalogues	Catalogues in PDF-format
Brochures	MB FREECONCONTACT EN FL FIELDWIRING EN PI PROFINET CABLING EN PI PROFINET CABLING EN

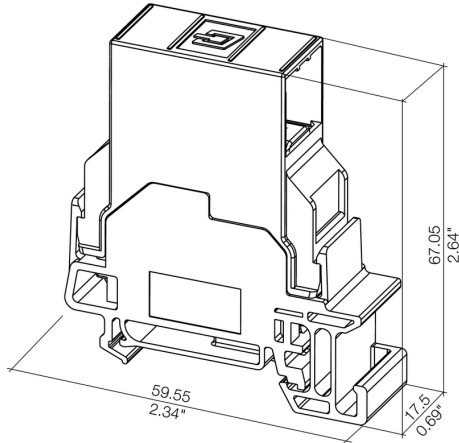
IE-TO-RJ45-FJ-B

Weidmüller Interface GmbH & Co. KG
Klingenbergstraße 26
D-32758 Detmold
Germany

www.weidmueller.com

Drawings

Dimensioned drawing



Drawing

