



Main

Range of Product	Modicon M171
Accessory / separate part category	Thermal management accessory
Accessory / separate part type	Probe
Product Specific Application	Indoor temperature measurement

Complementary

Temperature probe type	NTC
Device mounting	Wall mounted
Mounting Support	Mounting box
Electrical connection	Screw-clamp terminals
Marking	CE
Width	2.95 in (75 mm)
Height	2.95 in (75 mm)
Depth	1.00 in (25.5 mm)

Environment

IP Degree of Protection	IP30
-------------------------	------

Ordering and shipping details

Category	22537-M171 / M172 HVAC CONTROLLERS
Discount Schedule	PC12
GTIN	3606480752957
Returnability	No
Country of origin	DE

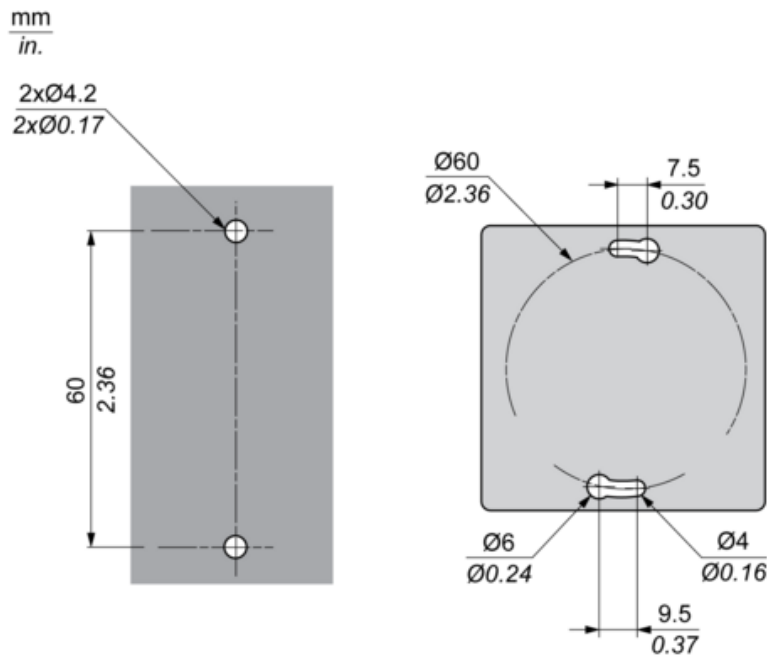
Packing Units

Unit Type of Package 1	PCE
Number of Units in Package 1	1
Package 1 Height	1.06 in (2.7 cm)
Package 1 Width	2.95 in (7.5 cm)
Package 1 Length	3.15 in (8.0 cm)
Package 1 Weight	2.26 oz (64.0 g)
Unit Type of Package 2	S01
Number of Units in Package 2	20
Package 2 Height	5.91 in (15.0 cm)
Package 2 Width	5.91 in (15.0 cm)
Package 2 Length	15.75 in (40.0 cm)
Package 2 Weight	3.28 lb(US) (1.488 kg)

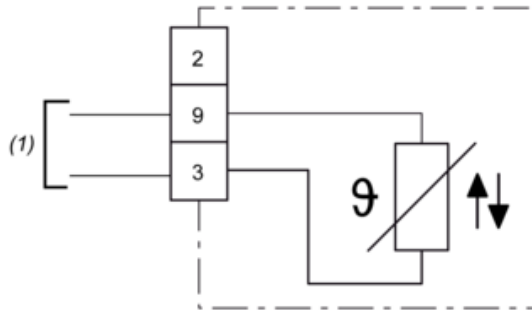
Offer Sustainability

California proposition 65	WARNING: This product can expose you to chemicals including: Lead and lead compounds, which is known to the State of California to cause cancer and birth defects or other reproductive harm. For more information go to www.P65Warnings.ca.gov
REACH Regulation	REACH Declaration
REACH free of SVHC	Yes
EU RoHS Directive	Pro-active compliance (Product out of EU RoHS legal scope) EU RoHS Declaration
Toxic heavy metal free	Yes
Mercury free	Yes
China RoHS Regulation	China RoHS Declaration
RoHS exemption information	Yes

Wall Mounting



Wiring Diagram



(1) Controller