

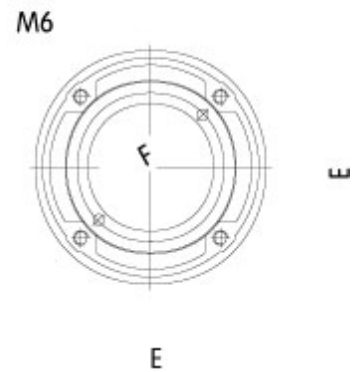
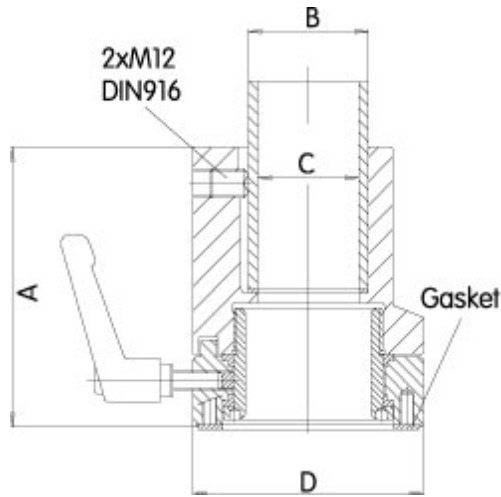


Quality Products. Service Excellence.

Heavy Duty Enclosure Coupling *HDSSEC Series*



- Cast aluminum.
- Large thrust flange.
- Fastens with 4 hex socket screws.
- Adjustable torque resistance.
- Features a rotation range of 300°.



| Part No. | System | A | B | C | D | E | F |
|---------------|--------|-----|----|----|-----|----|----|
| R147-025-000R | 50 | 115 | 50 | 42 | 96 | 58 | 52 |
| R147-025-200R | 80 | 145 | 80 | 72 | 139 | 87 | 85 |

Data subject to change without notice