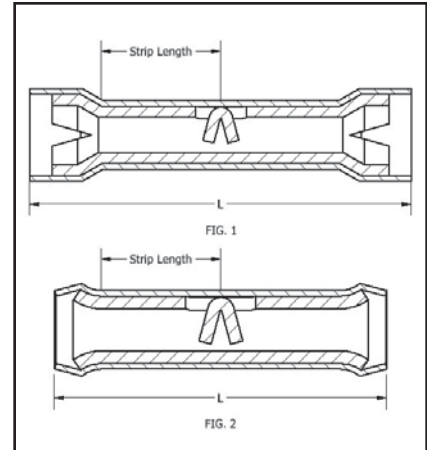
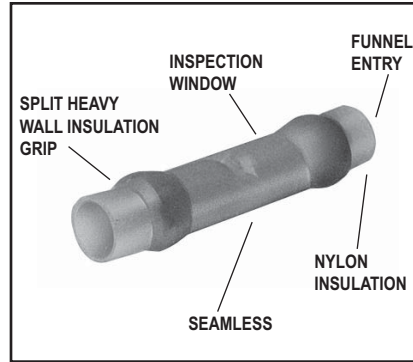


**TYPES YSE BOX,  
YSE-H BOX**

**INSULINK™**

600 Volts Max., 105° C Max.

The Types YSE and YSE-H INSULINK™ splices are high quality nylon insulated designed for splicing aircraft and commercial flexible cables.



**Features & Benefits**

- Manufactured from tin plated, seamless electrolytic copper tubing with integral barrel/insulation grip
  - ◇ Provides maximum conductivity and tensile strength, plus excellent cable support and strain relief
- Split heavy wall insulation grip
  - ◇ Provides stronger insulation grip and strain relief
- Smooth funnel entry
  - ◇ Provides easy wire insertion
- Transparent nylon insulation
  - ◇ Permits easy wire inspection



Catalog Number	Figure	Wire Range (Code, AWG, Aircraft, AN)	Color Code	Bulk Catalog Number	L Max.	Max Dia. Insul.	Installation Tooling	Wire Strip Length
YSE18H-BOX	1	22 - 18	Red	YSE18H	1.22	0.12	Y10D Y1022 Ratchet: MRE1022NV MR8-33T-1	9/32"
YSE14H-BOX	1	16 - 14	Blue	YSE14H	1.36	0.15		11/32"
YSE10-BOX	2	12 - 10	Yellow	YSE10	1.15	0.21		23/64"

Blue highlighted items are industry standard and most frequently ordered.