

BCH2MM0611CA6C

servo motor BCH, 130mm, 600W, no oil seal, w key, straight con



Main

Range compatibility	Lexium 28
Product or component type	Servo motor
Device short name	BCH2

Complementary

Maximum mechanical speed	3000 rpm
[Us] rated supply voltage	220 V
Phase	Three phase Single phase
Continuous stall current	3.77 A
Continuous stall torque	50.71 Lbf.in (5.73 N.m) LXM28... 4.5 A, 220 V, single phase 50.71 Lbf.in (5.73 N.m) LXM28... 4.5 A, 220 V, three phase 50.71 lbf.in (5.73 N.m) LXM28... 9 A, 110 V, single phase
Continuous power	600 W
Peak stall torque	152.14 Lbf.in (17.19 N.m) LXM28... 4.5 A, 220 V, single phase 152.14 Lbf.in (17.19 N.m) LXM28... 4.5 A, 220 V, three phase 152.14 lbf.in (17.19 N.m) LXM28... 9 A, 110 V, single phase
Nominal output power	600 W LXM28... 4.5 A, 220 V, single phase 600 W LXM28... 4.5 A, 220 V, three phase 600 W LXM28... 9 A, 110 V, single phase
Nominal torque	50.71 Lbf.in (5.73 N.m) LXM28... 4.5 A, 220 V, single phase 50.71 Lbf.in (5.73 N.m) LXM28... 4.5 A, 220 V, three phase 50.71 lbf.in (5.73 N.m) LXM28... 9 A, 110 V, single phase
Nominal speed	1000 rpm LXM28... 4.5 A, 220 V, single phase 1000 rpm LXM28... 4.5 A, 220 V, three phase 1000 rpm LXM28... 9 A, 110 V, single phase
Maximum current Irms	13.44 A LXM28... 0.6 kW, 220 V 13.44 A LXM28... 0.6 kW, 110 V
Maximum permanent current	4.1 A
Product compatibility	LXM28... servo drive 0.6 kW, 220 V, single phase LXM28... servo drive 0.6 kW, 220 V, three phase LXM28... servo drive 0.6 kW, 110 V, single phase
Shaft end	Keyed
Shaft diameter	0.87 in (22 mm)
Shaft length	1.77 in (45 mm)
Key width	0.31 in (8 mm)
Feedback type	20 bits single turn absolute encoder
Holding brake	Without
Mounting support	Asian standard flange
Motor flange size	5.12 in (130 mm)
Electrical connection	Connector MIL
Torque constant	1.52 N.m/A 68 °F (20 °C)
Back emf constant	92 V/krpm 68 °F (20 °C)
Rotor inertia	6.63 kg.cm ²

Stator resistance	1.93 Ohm 68 °F (20 °C)
Stator inductance	24.9 mH 68 °F (20 °C)
Stator electrical time constant	12.9 ms 68 °F (20 °C)
Maximum radial force Fr	670 N 1000 rpm
Maximum axial force Fa	200 N
Brake pull-in power	19.7 W
Type of cooling	Natural convection
Length	5.79 in (147 mm)
Number of motor stacks	1
Centring collar diameter	4.33 in (110 mm)
Centring collar depth	0.31 in (8 mm)
Number of mounting holes	4
Mounting holes diameter	0.36 in (9.2 mm)
Circle diameter of the mounting holes	5.71 in (145 mm)
Distance shaft shoulder-flange	0.31 in (8 mm)
Net Weight	15.43 lb(US) (7 kg)

Environment

IP degree of protection	IP54 IM B5, IM V1 IP50 IM V3
Ambient air temperature for operation	-4...104 °F (-20...40 °C)

Ordering and shipping details

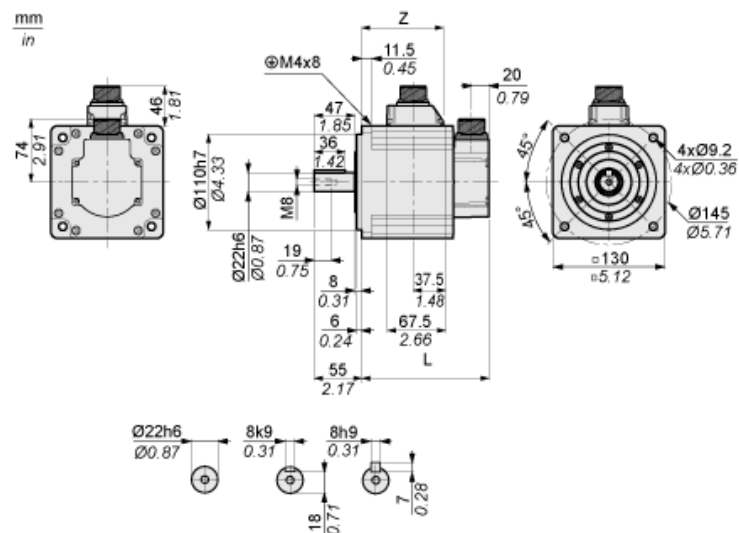
Category	18281 - LEXIUM 23/28 MOTORS
Discount Schedule	PC53
GTIN	03606480734540
Nbr. of units in pkg.	1
Package weight(Lbs)	17.8 lb(US) (8.07 kg)
Returnability	No
Country of origin	CN

Packing Units

Unit Type of Package 1	PCE
Package 1 Height	7.13 in (18.1 cm)
Package 1 width	9.06 in (23 cm)
Package 1 Length	14.17 in (36 cm)

Dimensions

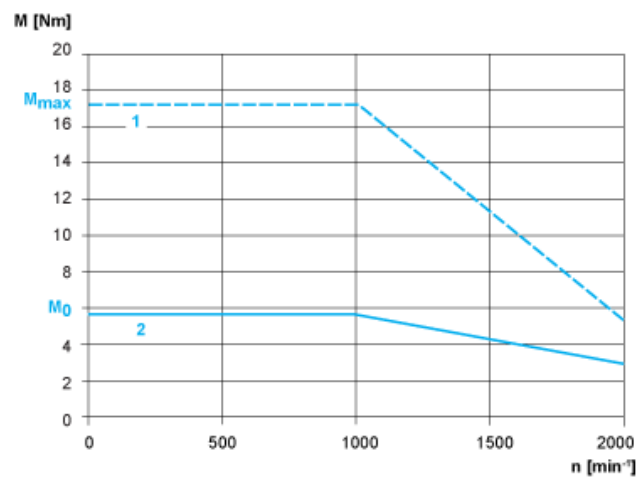
Dimensions of Motor



	mm	in.
L (without holding brake)	147	5.79
L (with holding brake)	183	7.2
Z	94.5	3.72

Torque/Speed Curves with 230 V Single/Three Phase Supply Voltage

Servo Motor with LXM28AU02●●● Servo Drive



- 1 : Peak torque
- 2 : Continuous torque