



## Main

Range of Product	Phaseo
Product or Component Type	Battery module
Input voltage	24 V DC
Output voltage	24 V DC
Maximum output current	32 A
Battery Capacity	3.2 Ah
Holding time	< 20 h 0.16 A, 68 °F (20 °C) > 5 min 8.4 A, 68 °F (20 °C)

## Complementary

Input voltage limits	21...29 V
Charging time	72 h
Load current	0.3 A
Output protection type	Against overload and short-circuits 1 x 20 A automotive type fuse
Connections - terminals	Input connection screw type terminals 2 x 0.5...2 x 10 mm <sup>2</sup> AWG 20...AWG 8 Output connection screw type terminals 2 x 0.5...2 x 10 mm <sup>2</sup> AWG 20...AWG 8
Self-discharge rate	9 %, 3 months 3 %, 1 month 15 %, 6 months
Fixing mode	By 2 screws 0.20 in (5 mm) horizontal panel horizontal By 4 screws 0.20 in (5 mm) vertical panel vertical By clips (with mounting kit) 35 mm symmetrical DIN rail horizontal By clips (with mounting kit) 35 mm symmetrical DIN rail vertical
Output coupling	Parallel
Operating altitude	6561.68 ft (2000 m)
Service life in hours	11000 H 104 °F (40 °C) 15000 H 95 °F (35 °C) 22000 H 86 °F (30 °C) 31000 H 77 °F (25 °C) 44000 H 68 °F (20 °C) 5000 H 122 °F (50 °C) 7300 h 113 °F (45 °C)
Marking	CE
Net Weight	7.72 lb(US) (3.5 kg)

## Environment

Product Certifications	CTP[RETURN]JUL
Ambient Air Temperature for Operation	32...104 °F (0...40 °C)
Ambient Air Temperature for Storage	-4...122 °F (-20...50 °C)
IP degree of protection	IP10 conforming to IEC 60529
Overvoltage category	Class 3 VDE 0106-1
Vibration resistance	2 gn 11.9...150 Hz)IEC 61131-2 3.5 mm 3...11.9 Hz)IEC 61131-2

The information provided in this documentation contains general descriptions and/or technical characteristics of the performance of the products contained herein. This documentation is not intended as a substitute for and is not to be used for determining suitability or reliability of these products for specific user applications. It is the duty of any such user or integrator to perform the appropriate and complete risk analysis, evaluation and testing of the products with respect to the relevant specific application or use thereof. Neither Schneider Electric Industries SAS nor any of its affiliates or subsidiaries shall be responsible or liable for misuse of the information contained herein.

## Ordering and shipping details

Category	22525-ABL8 AND ABL7 POWER SUPPLIE
Discount Schedule	CP12
GTIN	3389119406840
Returnability	No
Country of origin	FR

## Packing Units

Unit Type of Package 1	PCE
Number of Units in Package 1	1
Package 1 Height	6.50 in (16.500 cm)
Package 1 Width	7.09 in (18.000 cm)
Package 1 Length	10.63 in (27.000 cm)
Package 1 Weight	8.05 lb(US) (3.653 kg)
Unit Type of Package 2	P06
Number of Units in Package 2	24
Package 2 Height	29.53 in (75.000 cm)
Package 2 Width	23.62 in (60.000 cm)
Package 2 Length	31.50 in (80.000 cm)
Package 2 Weight	245.39 lb(US) (111.308 kg)

## Offer Sustainability

California proposition 65	WARNING: This product can expose you to chemicals including: Lead and lead compounds, which is known to the State of California to cause cancer and birth defects or other reproductive harm. For more information go to <a href="http://www.P65Warnings.ca.gov">www.P65Warnings.ca.gov</a>
REACH Regulation	<a href="#">REACH Declaration</a>
EU RoHS Directive	Not applicable, out of EU RoHS legal scope
China RoHS Regulation	<a href="#">China RoHS Declaration</a>
Environmental Disclosure	<a href="#">Product Environmental Profile</a>
Circularity Profile	<a href="#">End Of Life Information</a>
PVC free	Yes

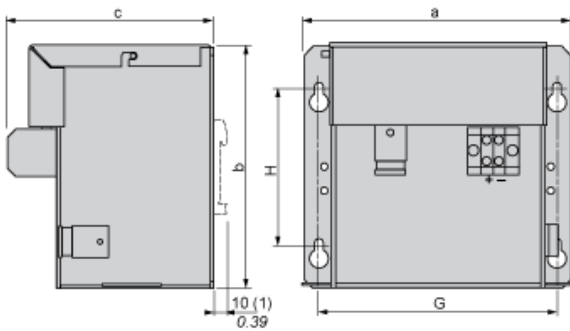
## Contractual warranty

Warranty	18 months
----------	-----------

24 Vdc Battery Module

Dimensions

mm  
inch



ABL	a	b	c	G	H
8BPK24A03	184/7.24	138,5/5.45	131	156/6.14	83/3.27
8BPK24A07	170/6.69	155,5/6.12	131	152/5.98	100/3.94
8BPK24A12	236/9.29	155,5/6.12	131	218/3.94	100/3.94

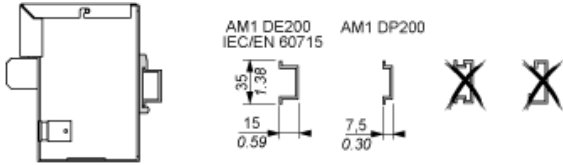
(1) ABL8BPK24A03 (with kit ABL1A02)

---

24 Vdc Battery Module

---

Mounting



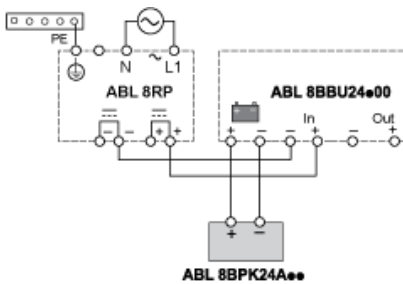
Wiring Requirements

Cable Types and Wire Sizes

<p> <math>\varnothing \leq 4 \text{ mm}^2</math>  <math>\varnothing \leq 12 \text{ AWG}</math> </p>	<p> <math>\varnothing &gt; 4 \text{ mm}^2</math>  <math>\varnothing &gt; 12 \text{ AWG}</math> </p>	<b>ABL 8BPK24A00</b> 6 / 10	<b>ABL 8BPK24A03</b> 10 / 6
<p><math>\varnothing 5,5 \text{ mm} / 0,22 \text{ in}</math></p>	<p>           Nm 1,7 Nm max            lb-in 15         </p>		

24 Vdc Battery Module Wiring

Wiring Diagram



Paralleling 2 x ABL8PK24A00

Wiring Diagram

