

CAT. NO.: PDB-22-2/0-3

MASS:

TOLERANCES-UNLESS OTHERWISE SPECIFIED
2 PL. DEC. ±.015 TRUE CL. ±.015
3 PL. DEC. ±.015 ANGLES ±1

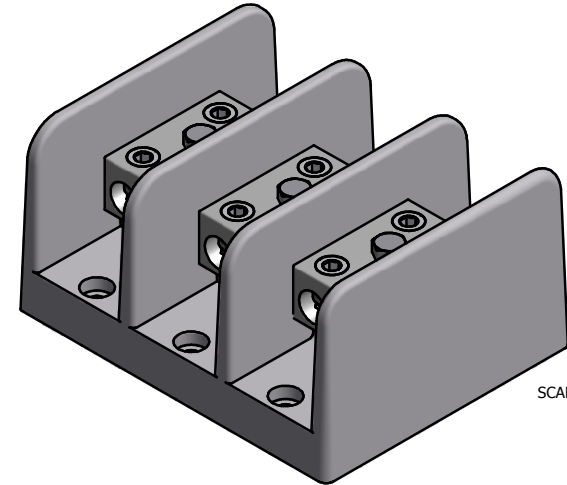
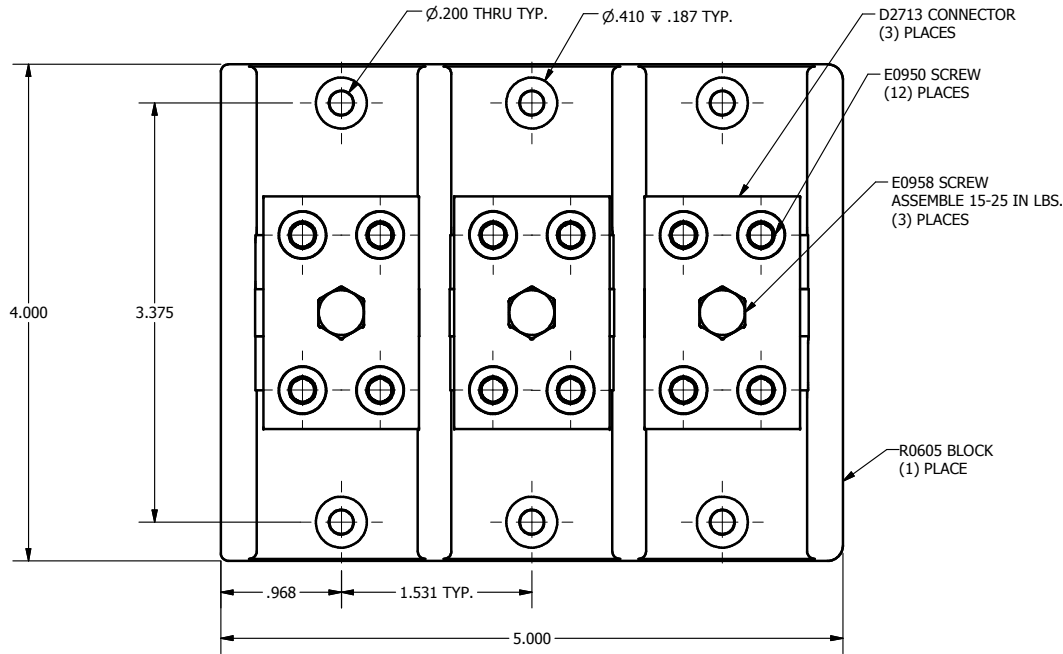
DWG. NO.
M2561
SHEET 1 OF 1



DRAWN BY: CLH
DATE: 12/11/2007

SCALE:
SIZE: B

REV.	DESCRIPTION
I	



SCALE .7: 1

