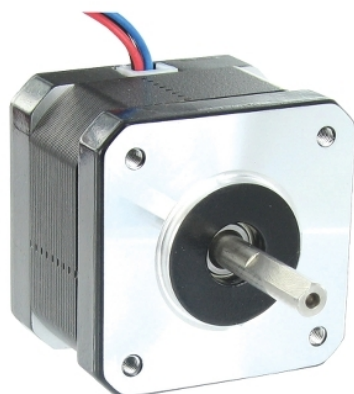


BRS2423A150

2-phase stepper motor - 0.53 N.m - shaft Ø5 mm - L=48mm - without brake - 1.5A



Main

Range Compatibility	Lexium SD2
Product or Component Type	Motion control motor
Device short name	BRS2
Motor Type	2-phase stepper motor

Complementary

Maximum mechanical speed	1800 rpm
Supply voltage limits	12...48 V DC
Mounting Support	Flange
Motor flange size	1.67 in (42.3 mm)
Length	1.89 in (48 mm)
Number of motor stacks	3
Centring collar diameter	0.87 in (22 mm)
Centring collar depth	0.08 in (2.03 mm)
Number of mounting holes	4
Mounting holes diameter	0.12 in (3 mm)
Circle diameter of the mounting holes	1.73 in (43.84 mm)
Electrical Connection	Flying lead
Holding brake	Without
Shaft end	Smooth shaft
Second shaft	Without second shaft end
Shaft diameter	0.20 in (5 mm)
Shaft length	0.86 in (21.85 mm)
Holding torque	4.69 lbf.in (0.53 N.m)
Rotor inertia	0.082 kg.cm ²
Resolution	200 steps number of full steps per revolution 1.8 ° step angle
Line Rated Current	1.5 A
Resistance	2 Ohm winding)

Environment

Ambient Air Temperature for Operation	-13...104 °F (-25...40 °C)
Ambient Air Temperature for Storage	-13...158 °F (-25...70 °C)
Operating altitude	<= 3280.84 ft (1000 m) without power derating
Relative humidity	15...85 % without condensation
IP degree of protection	IP20 IEC/EN 60034-1
Temperature class	B winding IEC/EN 60034-1

Ordering and shipping details

Category	11300-MISC. ITEMS
Discount Schedule	NET
GTIN	3606480211072
Returnability	No

Packing Units

Unit Type of Package 1	PCE
Number of Units in Package 1	1
Package 1 Height	7.87 in (20 cm)
Package 1 Width	10.04 in (25.5 cm)
Package 1 Length	12.80 in (32.5 cm)
Package 1 Weight	14.18 oz (402 g)
Unit Type of Package 2	BB1
Number of Units in Package 2	20
Package 2 Height	7.87 in (20 cm)
Package 2 Width	10.04 in (25.5 cm)
Package 2 Length	12.80 in (32.5 cm)
Package 2 Weight	17.73 lb(US) (8.04 kg)
Unit Type of Package 3	S06
Number of Units in Package 3	160
Package 3 Height	28.94 in (73.5 cm)
Package 3 Width	23.62 in (60 cm)
Package 3 Length	31.50 in (80 cm)
Package 3 Weight	170.46 lb(US) (77.32 kg)

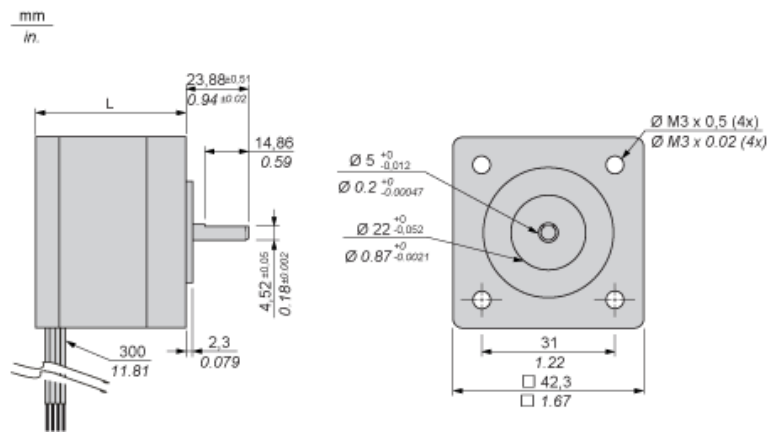
Offer Sustainability

California proposition 65	WARNING: This product can expose you to chemicals including: Lead and lead compounds, which is known to the State of California to cause cancer and birth defects or other reproductive harm. For more information go to www.P65Warnings.ca.gov
REACH Regulation	REACH Declaration
REACH free of SVHC	Yes
EU RoHS Directive	Pro-active compliance (Product out of EU RoHS legal scope)
Mercury free	Yes
China RoHS Regulation	China RoHS Declaration
RoHS exemption information	Yes
WEEE	The product must be disposed on European Union markets following specific waste collection and never end up in rubbish bins.
PVC free	Yes

Contractual warranty

Warranty	18 months
----------	-----------

Dimensions



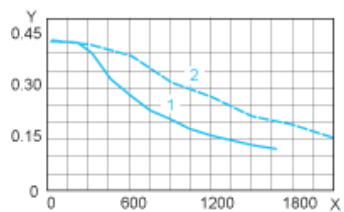
Dimensions in mm

L
48

Dimensions in in.

L
1.89

Torque Characteristics



X: Speed of rotation in rpm

Y: torque in Nm

1: 24 VDC

2: 48 VDC