



Main

| | |
|---------------------------|------------------|
| Range of Product | Modicon M580 |
| Product or Component Type | Processor module |

Complementary

| | |
|---|---|
| Number of racks | 8 |
| Local I/O processor capacity (discrete) | 3072 I/O |
| Local I/O processor capacity (analog) | 768 I/O |
| Number of application specific channel (local rack) | 108 |
| Application specific I/O | Serial link Motion control HART SSI encoder Counter Accurate time stamping |
| Checks | Process control |
| Control channels | Programmable loops |
| Integrated connection type | 1 Ethernet TCP/IP service port 2 Ethernet TCP/IP device network USB type mini B |
| Number of distributed equipment | 128 |
| Communication module processor capacity | 8 AS-Interface module 3 Ethernet communication module |
| Communication Service | DIO scanner |
| Memory description | Expandable flash, 4 GB data storage Integrated RAM, 10 kB system memory Integrated RAM, 12 MB program Integrated RAM, 1024 kB data |
| Application structure | 1 periodic fast task 2 auxiliary tasks 128 event tasks 1 cyclic/periodic master task |
| Number of instructions per ms | 15 Kinst/ms 65 % Boolean + 35 % fixed arithmetic 20 Kinst/ms 100 % Boolean |
| Current consumption | 295 mA 24 V DC |
| MTBF reliability | 775000 H |
| Marking | CE |

The information provided in this documentation contains general descriptions and/or technical characteristics of the performance of the products contained herein. This documentation is not intended as a substitute for and is not to be used for determining suitability or reliability of these products for specific user applications. It is the duty of any such user or integrator to perform the appropriate and complete risk analysis, evaluation and testing of the products with respect to the relevant specific application or use thereof. Neither Schneider Electric Industries SAS nor any of its affiliates or subsidiaries shall be responsible or liable for misuse of the information contained herein.

Environment

| | |
|---------------------------------------|---|
| Vibration resistance | 3 gn |
| Shock resistance | 30 gn |
| Ambient Air Temperature for Operation | 32...140 °F (0...60 °C) |
| Ambient Air Temperature for Storage | -40...185 °F (-40...85 °C) |
| Operating altitude | 0...6561.68 ft (0...2000 m) 2000...5000 m with derating factor |
| Relative humidity | 5...95 % 131 °F (55 °C) without condensation |
| IP Degree of Protection | IP20 |
| Directives | 2014/35/EU - low voltage directive 2014/30/EU - electromagnetic compatibility |
| Product certifications | CE[RETURN]JUL[RETURN]CSA[RETURN]RCM[RETURN]EAC[RETURN]Merchant Navy |
| Standards | IEC 61131-2 IEC 61010-2-201 UL 61010-2-201 CSA C22.2 No 61010-2-201 IACS E10 EN/IEC 61000-6-5, interface type 1 and type 2 EN/IEC 61850-3, location G |
| Environmental characteristic | Hazardous location class I division 2 |
| Supply | Internal power supply via rack |
| Status LED | 1 LED (Green) processor running (RUN) 1 LED (Red) processor or system fault (ERR) 1 LED (Red) I/O module fault (I/O) 1 LED (Green) download in progress (DL) 1 LED (Red) memory card or CPU flash fault (BACKUP) 1 LED (green/red) ETH MS (Ethernet port configuration status) 1 LED (green/red) Eth NS (Ethernet network status) |
| Net Weight | 1.87 lb(US) (0.849 kg) |

Ordering and shipping details

| | |
|-------------------|-------------------------------------|
| Category | 18161-MODICON M580 CONTROLLERS HSBY |
| Discount Schedule | PC34 |
| GTIN | 3595864174433 |
| Returnability | No |
| Country of origin | FR |

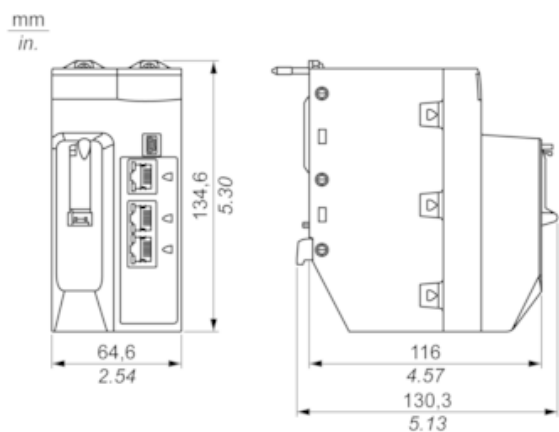
Packing Units

| | |
|------------------------------|-------------------------|
| Unit Type of Package 1 | PCE |
| Number of Units in Package 1 | 1 |
| Package 1 Height | 3.54 in (9.000 cm) |
| Package 1 Width | 7.01 in (17.800 cm) |
| Package 1 Length | 9.84 in (25.000 cm) |
| Package 1 Weight | 30.69 oz (870.000 g) |
| Unit Type of Package 2 | S03 |
| Number of Units in Package 2 | 6 |
| Package 2 Height | 11.81 in (30.000 cm) |
| Package 2 Width | 11.81 in (30.000 cm) |
| Package 2 Length | 15.75 in (40.000 cm) |
| Package 2 Weight | 12.46 lb(US) (5.650 kg) |

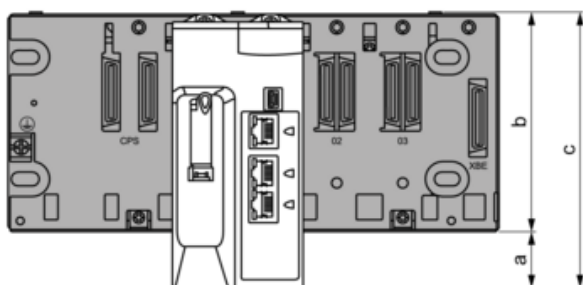
Offer Sustainability

| | |
|----------------------------|---|
| Sustainable offer status | Green Premium product |
| California proposition 65 | WARNING: This product can expose you to chemicals including: Lead and lead compounds, which is known to the State of California to cause cancer and birth defects or other reproductive harm. For more information go to www.P65Warnings.ca.gov |
| REACH Regulation | REACH Declaration |
| EU RoHS Directive | Pro-active compliance (Product out of EU RoHS legal scope) |
| Mercury free | Yes |
| China RoHS Regulation | China RoHS Declaration |
| RoHS exemption information | Yes |
| Environmental Disclosure | Product Environmental Profile |
| Circularity Profile | End Of Life Information |
| WEEE | The product must be disposed on European Union markets following specific waste collection and never end up in rubbish bins. |

CPU Module Only



Modules Mounted on Racks

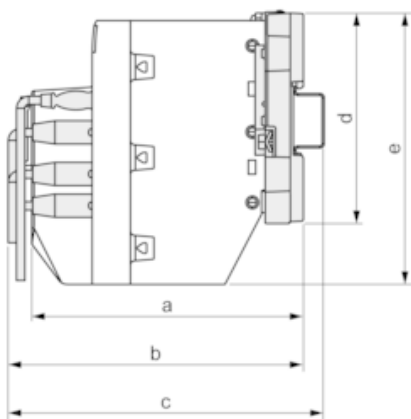


a: additional space below the rack to accommodate the height of the CPU. For an X Bus rack, the value is 30.9 mm (1.217 in.); for an Ethernet rack, the value is 29.49 mm (1.161 in.).

b: the height of the rack. For an X Bus rack, the height is 103.7 mm (4.083 in.); for an Ethernet rack, the height is 105.11 mm (4.138 in.).

c: the height of the main local rack, 134.6 mm (5.299 in.)

Modules and Cables Mounted in an Enclosure



a: enclosure depth: 135 mm (5.315 in.)

b: wiring + module depth: > 146 mm (5.748 in.)

c: wiring + module + DIN rail depth: > 156 mm (6.142 in.)

d: rack height: for an X Bus rack 103.7 mm (4.083 in.); for an Ethernet rack, 105.11 mm (4.138 in.)

e: module height: 134.6 mm (5.299 in.)