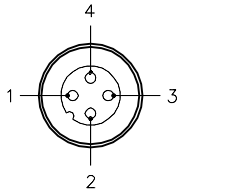
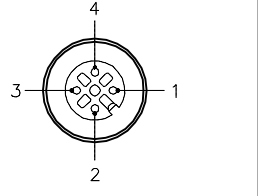
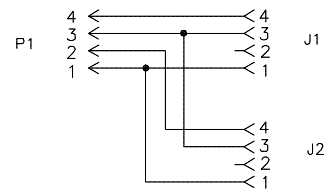
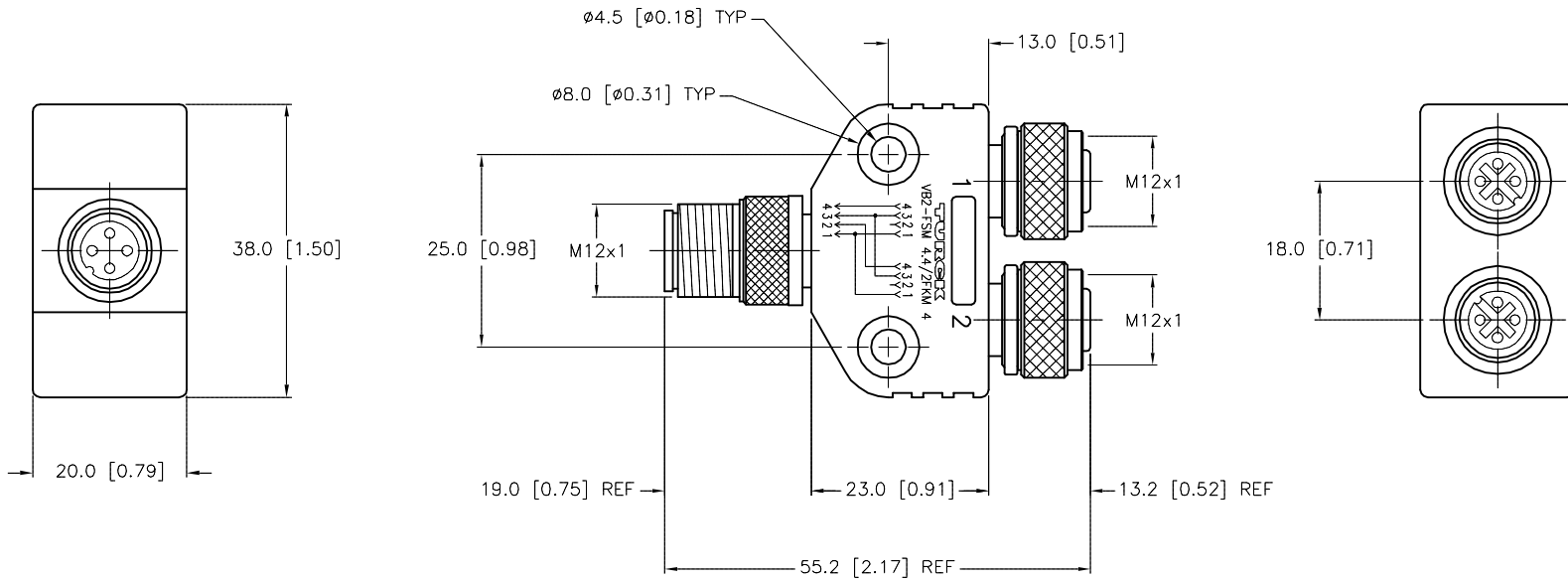
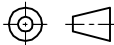


MALE END VIEW	FEMALE END VIEW	WIRING DIAGRAM	SPECIFICATIONS																	
			<table border="1"> <tr> <td>CONTACT CARRIER MATERIAL</td> <td>NYLON OR TPU</td> </tr> <tr> <td>MOLDED HEAD MATERIAL/COLOR</td> <td>TPU/YELLOW</td> </tr> <tr> <td>CONTACT MATERIAL/PLATING</td> <td>BRASS/GOLD</td> </tr> <tr> <td>COUPLING NUT MATERIAL/PLATING</td> <td>BRASS/NICKEL</td> </tr> <tr> <td>RATED CURRENT [A]</td> <td>4.0 A</td> </tr> <tr> <td>RATED VOLTAGE [V]</td> <td>250 VAC/300 VDC</td> </tr> <tr> <td>TEMPERATURE RATING</td> <td>-40°C to +105°C (-40°F to +221°F)</td> </tr> <tr> <td>PROTECTION CLASS</td> <td>MEETS NEMA 1,3,4,6P AND IEC IP68</td> </tr> </table>	CONTACT CARRIER MATERIAL	NYLON OR TPU	MOLDED HEAD MATERIAL/COLOR	TPU/YELLOW	CONTACT MATERIAL/PLATING	BRASS/GOLD	COUPLING NUT MATERIAL/PLATING	BRASS/NICKEL	RATED CURRENT [A]	4.0 A	RATED VOLTAGE [V]	250 VAC/300 VDC	TEMPERATURE RATING	-40°C to +105°C (-40°F to +221°F)	PROTECTION CLASS	MEETS NEMA 1,3,4,6P AND IEC IP68	
CONTACT CARRIER MATERIAL	NYLON OR TPU																			
MOLDED HEAD MATERIAL/COLOR	TPU/YELLOW																			
CONTACT MATERIAL/PLATING	BRASS/GOLD																			
COUPLING NUT MATERIAL/PLATING	BRASS/NICKEL																			
RATED CURRENT [A]	4.0 A																			
RATED VOLTAGE [V]	250 VAC/300 VDC																			
TEMPERATURE RATING	-40°C to +105°C (-40°F to +221°F)																			
PROTECTION CLASS	MEETS NEMA 1,3,4,6P AND IEC IP68																			



SOURCE DRAWING - FOR REFERENCE ONLY

RELATED DOCUMENTS 1. 2. 3. 4.	3RD ANGLE PROJECTION 	THIS DRAWING IS CONFIDENTIAL AND THE PROPERTY OF TURCK INC. USE OF THIS DOCUMENT WITHOUT WRITTEN PERMISSION IS PROHIBITED.	<div style="text-align: right;"> <p>3000 CAMPUS DRIVE MINNEAPOLIS, MN 55441 1-800-544-7769 (763) 553-7300 (763) 553-0708 fax turck.com</p> </div> <div style="text-align: center;"> <p>TURCK INC <i>High Technology Sensors and Automation Controls</i></p> </div>	
MATERIAL FINISH	ALL DIMENSIONS DISPLAYED ON THIS DRAWING ARE FOR REFERENCE ONLY CONTACT TURCK FOR MORE INFORMATION	DRFT SWC APVD DATE 09/18/95 SCALE 1=1.0 UNIT OF MEASUREMENT MILLIMETER [INCH] DO NOT SCALE THIS DRAWING	DESCRIPTION VB2-FSM 4.4/2FKM 4 IDENTIFICATION NO. U0098 REV F FILE: U0098 SHEET 1 OF 1	

F	ADD CLICHE TO SPLITTER	RDS	05/12/14	45720
REV	DESCRIPTION	BY	DATE	ECO NO.