

MASS:  
CAT. NO.:

TOLERANCES-UNLESS OTHERWISE SPECIFIED  
2 PL. DEC. ±.015 TRUE C.L. ±.015  
3 PL. DEC. ±.015 ANGLES ±1

DWG. NO.  
**M2798**  
SHEET 1 OF 1



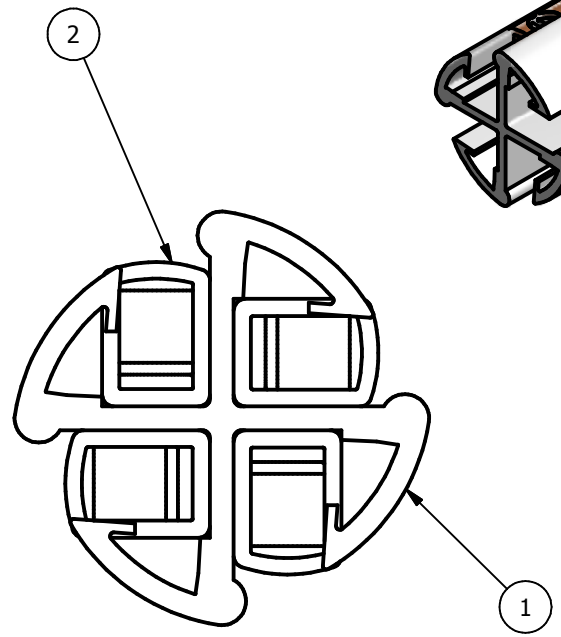
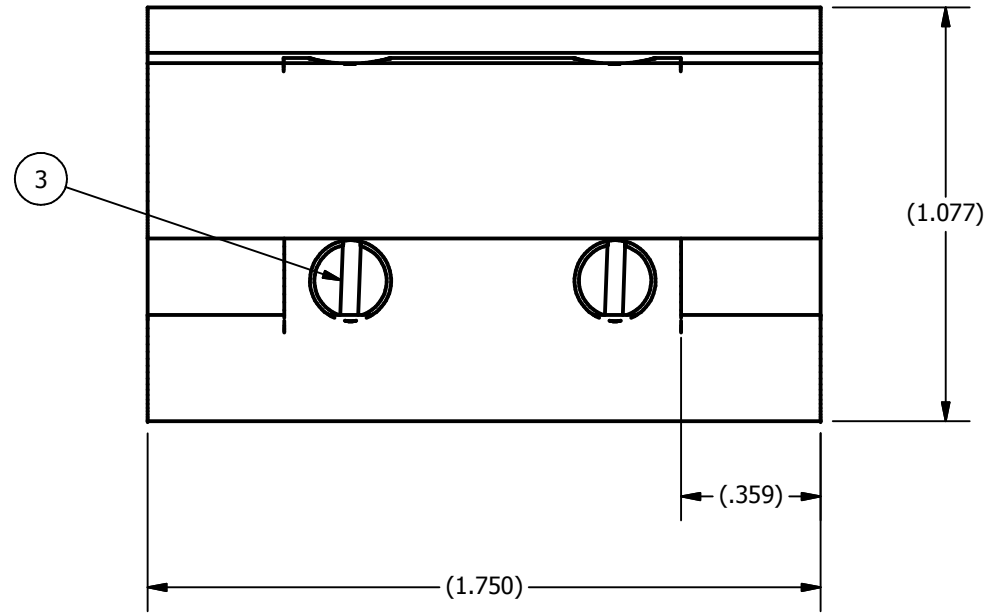
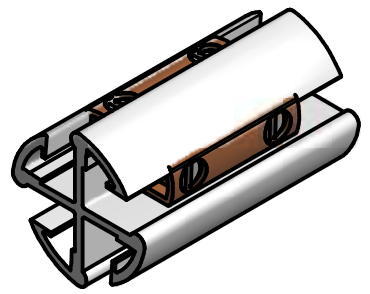
DRAWN BY: CLH SCALE: 1:1  
DATE: 7/23/2008 SIZE: A

REV.	DESCRIPTION
G	

M2798-02 DBK-1 KIT CONSISTS OF		
QTY	PART NUMBER	DESCRIPTION
1	M2798-01	COLLAR/SLEEVE ASSEMBLY
2	R1688C00A	TAPE 1" X 2"
1	R1670C00A	HEAT SHRINK TUBE 8" LONG
1	R1706C00A	PAPER BAG 4" X 3.20"

**Cat #: DBK-1**

SCALE .9 : 1



M2798-01 PARTS LIST				
ITEM	QTY	PART NUMBER	MATERIAL	DESCRIPTION
1	1	R1661C00A	PVC	SLEEVE
2	4	D3593C00T	COPPER	COLLAR
3	8	E1277C91Z	STEEL	SCREW