



**Main**

Range of Product	Modicon Quantum automation platform
Product or Component Type	Low voltage dc discrete input modules
Discrete input number	32

**Complementary**

Group of channels	4
Logic input	Negative (source)
Discrete input voltage	24 V DC
Input voltage limits	19.2...30 V
Voltage state 1 guaranteed	-30...-15 V DC
Voltage state 0 guaranteed	-5...0 V DC
Current state 1 guaranteed	$\geq 2.5$ mA at $U_s = -14$ V
Current state 0 guaranteed	$\leq 0.5$ mA
Addressing requirement	2 input words
Input impedance	2400 Ohm
Maximum leakage current	200 mA at $U_s = 5.5$ V and $U_{in} = 4$ V
Absolute maximum input	30 V continuous 50 V during 1 ms decaying pulse
Response Time	$\leq 1$ ms from state 0 to state 1 $\leq 1$ ms from state 1 to state 0
Protection Type	Input protection by resistor limited
Power dissipation	1.5 W + (0.26 x number of points on)
Isolation between group and bus	1780 Vrms for 1 minute
Isolation between group	500 Vrms for 1 minute
Local signalling	For bus communication is present (Active) 1 LED (green) For external fault detected (F) 1 LED (red) For input status 32 LEDs (green)
Marking	CE
Bus current requirement	330 mA
Module format	Standard
Net Weight	0.66 lb(US) (0.3 kg)

**Environment**

Standards	UL 508 CSA C22.2 No 142
Product Certifications	RINA[RETURN]GOST[RETURN]FM Class 1 Division 2[RETURN]C-tick[RETURN]RMRS
Resistance to electrostatic discharge	4 KV contact IEC 801-2 8 kV on air IEC 801-2
Resistance to electromagnetic fields	9.14 V/m (10 V/m) 80...2000 MHz IEC 801-3
Ambient Air Temperature for Operation	32...140 °F (0...60 °C)

Ambient Air Temperature for Storage	-40...185 °F (-40...85 °C)
Relative Humidity	95 % without condensation
Operating altitude	<= 16404.2 ft (5000 m)

## Ordering and shipping details

Category	18155-QUANTUM I/O & POWER SUPPLIES
Discount Schedule	PC21
GTIN	3595861135680
Returnability	No
Country of origin	CN

## Packing Units

Unit Type of Package 1	PCE
Number of Units in Package 1	1
Package 1 Height	6.42 in (16.3 cm)
Package 1 Width	1.77 in (4.5 cm)
Package 1 Length	12.28 in (31.2 cm)
Package 1 Weight	14.53 oz (412.0 g)
Unit Type of Package 2	S03
Number of Units in Package 2	7
Package 2 Height	11.81 in (30.0 cm)
Package 2 Width	11.81 in (30.0 cm)
Package 2 Length	15.75 in (40.0 cm)
Package 2 Weight	7.43 lb(US) (3.37 kg)

## Offer Sustainability

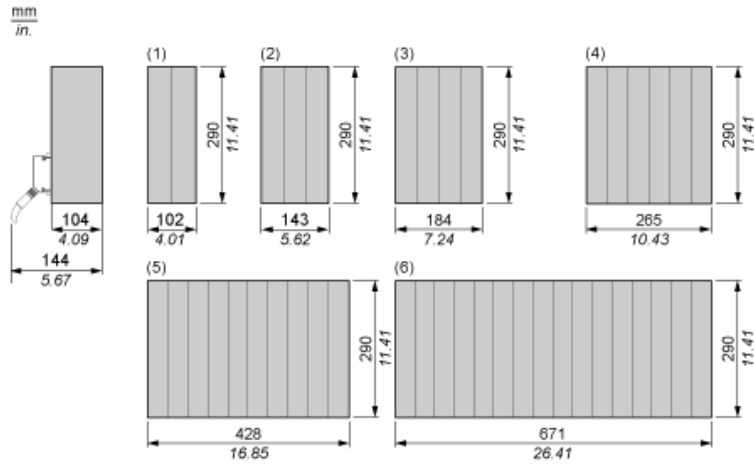
Sustainable offer status	Green Premium product
California proposition 65	WARNING: This product can expose you to chemicals including: Lead and lead compounds, which is known to the State of California to cause cancer and birth defects or other reproductive harm. For more information go to <a href="http://www.P65Warnings.ca.gov">www.P65Warnings.ca.gov</a>
REACH free of SVHC	Yes
EU RoHS Directive	Pro-active compliance (Product out of EU RoHS legal scope) <a href="#">EU RoHS Declaration</a>
Mercury free	Yes
China RoHS Regulation	<a href="#">China RoHS Declaration</a>
RoHS exemption information	<a href="#">Yes</a>
Circularity Profile	<a href="#">End Of Life Information</a>
WEEE	The product must be disposed on European Union markets following specific waste collection and never end up in rubbish bins.

## Contractual warranty

Warranty	18 months
----------	-----------

Racks for Modules Mounting

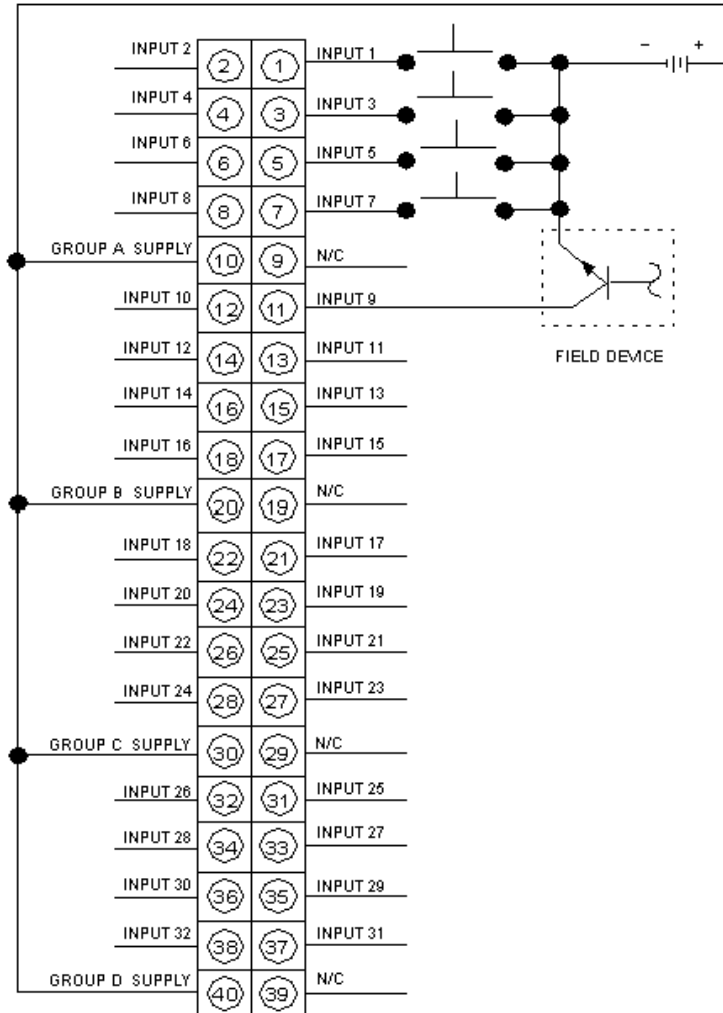
Dimensions of Modules and Racks



- (1) 2 slots
- (2) 3 slots
- (3) 4 slots
- (4) 6 slots
- (5) 10 slots
- (6) 16 slots

24 Vdc Discrete Input Source Module

Wiring Diagram



N/C Not Connected