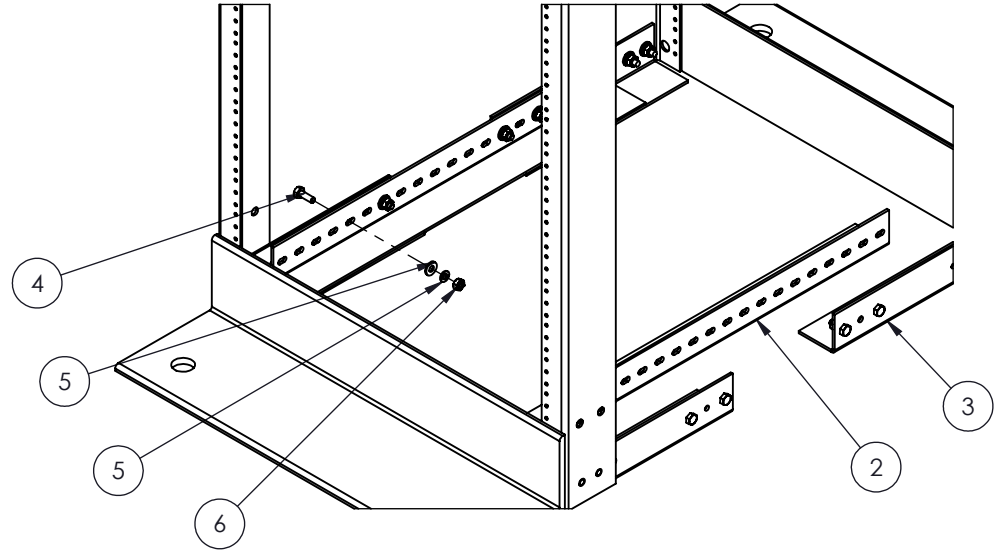
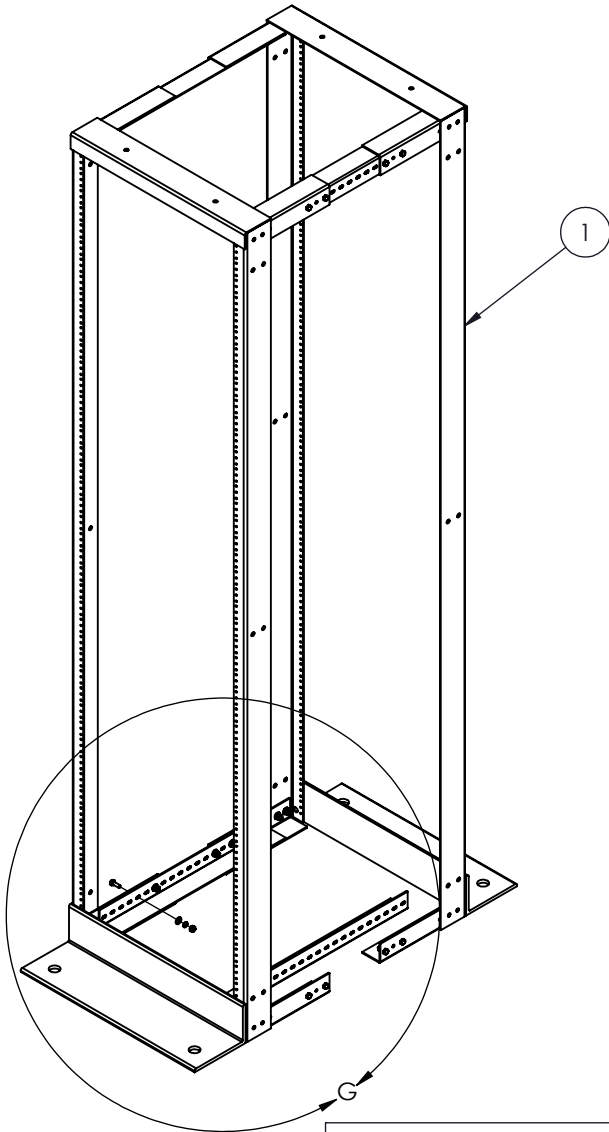

 PROPRIETARY AND CONFIDENTIAL THE INFORMATION CONTAINED IN THIS DRAWING IS THE SOLE PROPERTY OF A.I.G. ELECTRON METAL INC. ANY REPRODUCTION IN PART OR AS A WHOLE WITHOUT THE WRITTEN PERMISSION OF A.I.G. ELECTRON METAL INC IS PROHIBITED.	CONFIDENTIEL L'INFORMATION CONTENUE DANS CE DESSIN EST L'ENTIERE PROPRIÉTÉ D'ELECTRON METAL A.I.G. INC. TOUTE REPRODUCTION PARTIELLE OU EXHAUSTIVE SANS PERMISSION ÉCRITE D'ELECTRON METAL A.I.G. INC. EST INTERDITE.	DRAWN BY: E.D.	Title: DOUBLE RACK (19 x 77) x 26 - 38				
		CHECKED BY: E.D.					
PROJECT: Racks\DoubleRck		FILE: DbIRck19x77_26_38_1305021670_ENG					
PART NO.:	DRAWING NO.:	REV.:	SCALE:	DATE:	SHEET:		
RKDKIT-194428	1305021670	-	1:21.3333	2006/07/04	1 / 2		

NO.	NOTE	DESCRIPTION	QTY
1	1305021669	FRAME (19 x 77)	2
2	1305021665 - 26" - 38"	CENTER ANGLE	4
3	1305021664	END ANGLE	8
4	1/4-20 x 3/4	HEX BOLT	16
5	1/4"	LOCK WASHER	64
6	1/4-20	HEXNUT	32



DETAIL G
1:8

 <p>PROPRIETARY AND CONFIDENTIAL THE INFORMATION CONTAINED IN THIS DRAWING IS THE SOLE PROPERTY OF A.I.G. ELECTRON METAL INC. ANY REPRODUCTION IN PART OR AS A WHOLE WITHOUT THE WRITTEN PERMISSION OF A.I.G. ELECTRON METAL INC IS PROHIBITED.</p>	<p>CONFIDENTIEL L'INFORMATION CONTENUE DANS CE DESSIN EST L'ENTIÈRE PROPRIÉTÉ D'ELECTRON METAL A.I.G. INC. TOUTE REPRODUCTION PARTIELLE OU EXHAUSTIVE SANS PERMISSION ÉCRITE D'ELECTRON METAL A.I.G. INC. EST INTERDITE.</p>	DRAWN BY: E.D.	Title: DOUBLE RACK (19 x 77) x 26 - 38							
		CHECKED BY: E.D.								
PROJECT: Racks\DoubleRck		FILE: DbIRck19x77_26_38_1305021670_ENG			DRAWING NO.: 1305021670		REV.: -	SCALE: 1:16	DATE: 2006/07/04	SHEET: 2 / 2