

PLEASE CHECK WWW.MOLEX.COM FOR LATEST PART INFORMATION

Part Number: [1200700246](#)
Status: **Active**
Overview: Brad Micro-Change (M12) Connectors
Description: Micro-Change (M12) 5 Pole, 1/2" - 14 NPT Mounting Thread, Receptacle to 18 AWG PVC Leads, 1.0m (3.28') Length

Documents:

[Drawing \(PDF\)](#) [RoHS Certificate of Compliance \(PDF\)](#)

Agency Certification

CSA LR6837
 UL E152210

General

Product Family Industrial Receptacles
 Series [120070](#)
 IP Rating IP67
 NEMA Rating NEMA 6
 Overview [Brad Micro-Change \(M12\) Connectors](#)
 Product Name Micro-Change (M12)
 Type Single Ended (pigtail)
 UPC 78678886627

Physical

Coupling Type External Thread
 Gender Female
 Keyway None
 Length 1.0m
 Material - Component Nickel-plated Brass
 Mounting Thread Size M12 x 1.0
 Net Weight 54.880/g
 Orientation Straight
 Panel Mount Front
 Poles 5
 Temperature Range - Operating -20°C to +80°C
 Wire Size AWG 18
 Wire/Cable Type E152210

Electrical

Current - Maximum per Contact 4.0A
 Voltage - Maximum 250V AC/DC

Material Info

Engineering Number 8R5000A16M010

Reference - Drawing Numbers

Sales Drawing SD-120070-043



Series image - Reference only

EU ELV

Not Relevant

EU RoHS

Compliant with Exemption 6(a)-I

REACH SVHC

Not Contained Per - ECHA_01_2020 (16 January 2020)

Halogen-Free

Status

Not Low-Halogen

For more information, please visit [Contact US](#)

China ROHS

50 Image

ELV

Not Relevant

RoHS Phthalates

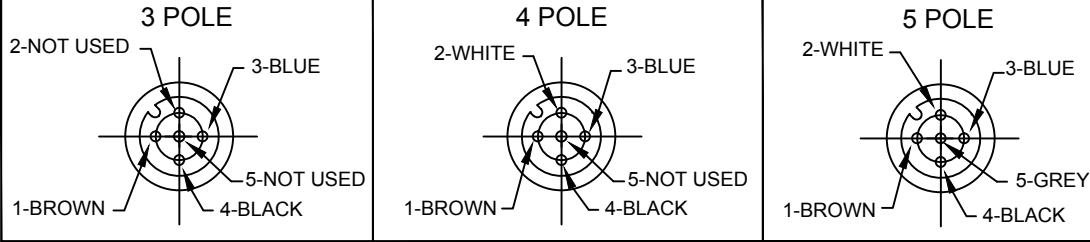
Not Contained

Search Parts in this Series

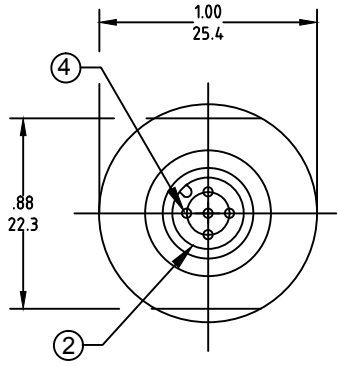
[120070 Series](#)

10 9 8 7 6 5 4 3 2 1

**FRONT VIEW
FEMALE INSERT CONFIGURATION CHART**

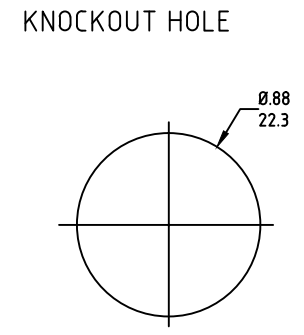
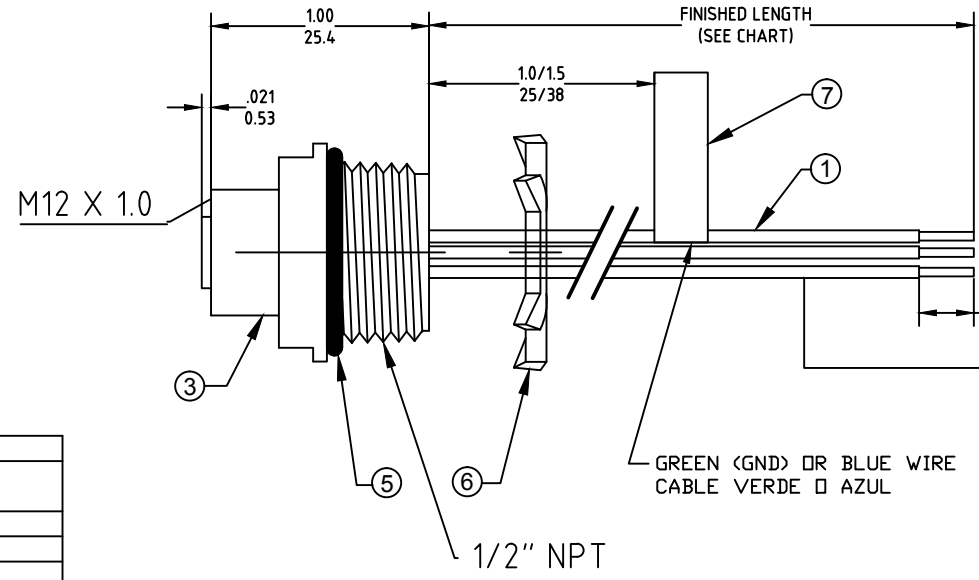


POLE	MATERIAL NO.	ENGINEERING NO.	FINISHED LENGTH
3	120070	8R3000A16A120	12.0" +.75"-0 (.3M +19mm-0)
4	1200700170	8R4000A16M020	6'7"+3.50"-0 (2M +88.9mm-0)
5	1200700246	8R5000A16M010	3'3"+2.19"-0 (1M +55.6mm-0)



CONNECTOR SPECIFICATION:

VOLTAGE RATING 3 - 4 PIN	250V per IEC 60664
VOLTAGE RATING 5 PIN	60V per IEC 60664 250V per UL 2238
AMPERAGE RATING	4 AMPS
PROTECTION	IP67
OPERATING TEMPERATURE	-20°C TO 80°C
UL CERTIFICATIONS	UL LISTED, FILE NO. E152210
CSA CERTIFICATIONS	CSA CERTIFIED, FILE NO. LR6837



PVC WIRE, 0.34mm
(SEE TABLE FOR COLOURS)

GREEN (GND) OR BLUE WIRE
CABLE VERDE O AZUL

ITEM	COMPONENT	MATERIAL	FINISH
7	LABEL	MYLAR	BLACK/YELLOW
6	LOCKNUT	STEEL	ZINC PLATED
5	O-RING	VITON	BLACK
4	CONTACT SOCKET	COPPER ALLOY	GOLD OVER NICKEL
3	SHELL FM M12x1	DIE CAST ZINC	NICKEL PLATED
2	MALE INSERT	NYLON	BLACK
1	CONDUCTOR- 18 AWG 3-5 CONDUCTOR 300V	PVC	SEE WIRING DIAGRAMM

NEW SALES DOC
EC NO: IPG2017-0318
DRWN: BBRAUCH 2016/09/21
CHKD: RSILLER 2016/09/21
APPR: RSILLER 2013/02/07
REV

QUALITY SYMBOLS
▽=0
▽=0

GENERAL TOLERANCES (UNLESS SPECIFIED)	
mm	INCH
4 PLACES	±---
3 PLACES	±---
2 PLACES	±.01
1 PLACE	±0.3
ANGULAR ±2°	
DRAFT WHERE APPLICABLE MUST REMAIN WITHIN DIMENSIONS	

DIMENSION STYLE	
INCH/MM	
DRAWN BY	DATE
RSTONE	2012/11/05
CHECKED BY	DATE
K JOZWIK	2012/11/28
APPROVED BY	DATE
JFMURPHY	2013/02/07
MATERIAL NO.	
SEE CHART	
SIZE	B

SCALE	DESIGN UNITS	THIRD ANGLE PROJECTION
4:1	INCH	☉
TITLE		
MICRO CHANGE RECEPTACLE 3-5 POLE FEMALE #18/3-5 AWG PVC WIRING		
MOLEX INCORPORATED		
DOCUMENT NO.	SD-120070-043	SHEET NO. 1 OF 1
THIS DRAWING CONTAINS INFORMATION THAT IS PROPRIETARY TO MOLEX INCORPORATED AND SHOULD NOT BE USED WITHOUT WRITTEN PERMISSION		

10 9 8 7 6 5 4 3 2 1