

# Day-Brite

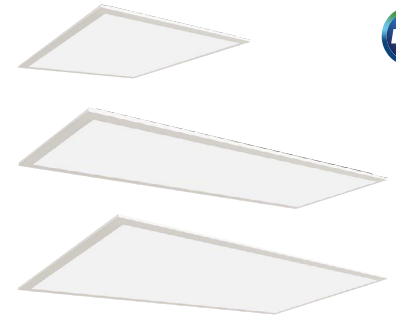


by Signify

Recessed

Selectable  
backlit panel (SBP)

Selectable lumens & CCT



Day-Brite/CFI Selectable backlit panel is a highly versatile luminaire designed to provide three lumen and three CCT packages per size. Available for use in recessed and surface mount applications, the SBP is a versatile luminaire that is ideal for general lighting applications such as open office, schools, healthcare, and retail.

Project: \_\_\_\_\_  
 Location: \_\_\_\_\_  
 Cat.No: \_\_\_\_\_  
 Type: \_\_\_\_\_  
 Lamps: \_\_\_\_\_ Qty: \_\_\_\_\_  
 Notes: \_\_\_\_\_



Catalog Code	Size	Voltage	Power / Wattage			Lumens			Efficacy		
			3500K	4000K	5000K	3500K	4000K	5000K	3500K	4000K	5000K
1SBP2440L8CSP-4-UN3-DIM	1x4'	Universal 120-347	20	19	19	2590	2620	2624	131	137	134
			25	24	25	3228	3261	3261	128	131	131
			31	30	31	3902	3927	3906	124	129	125
2SBP2440L8CSP-2-UN3-DIM	2x2'	Universal 120-347	19	19	19	2584	2595	2607	134	121	134
			25	24	25	3389	3448	3463	136	141	139
			31	30	31	4015	4121	4030	128	135	129
2SBP4060L8CSP-4-UN3-DIM	2x4'	Universal 120-347	31	30	31	4356	4343	4419	139	141	140
			39	39	39	5433	5451	5468	136	140	138
			47	46	47	6332	6541	6454	133	141	136

## Accessories (order separately)

- **FMA14FP** - 1'x4' "F" mounting frame for NEMA "F" mounting
- **FMA22** - 2'x2' "F" mounting frame for NEMA "F" mounting
- **FMA24** - 2'x4' "F" mounting frame for NEMA "F" mounting
- **FSK14** - 1'x4' surface mount field installation kit (factory welded seams)
- **FSK22** - 2'x2' surface mount field installation kit (factory welded seams)
- **FSK24** - 2'x4' surface mount field installation kit (factory welded seams)
- **FSF14** - 1'x4' surface mount field assembly kit (field assembled)
- **FSF22** - 2'x2' surface mount field assembly kit (field assembled)
- **FSF24** - 2'x4' surface mount field assembly kit (field assembled)



# 1SBP/2SBP Selectable backlit panel

## Selectable lumens and CCT

### Application

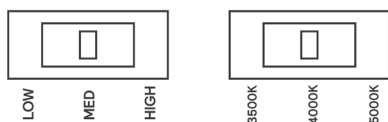
- Overall 1-1/2" deep luminaire, including driver box, provides minimal intrusion into the plenum space
- Even distribution of light on the lens provides exceptionally low glare gradient minimizing distractions at the ceiling plane
- General light distribution creates uniform horizontal and vertical illuminance on the work plane and limits scalloping on the walls
- Excellent consistency of correlated colour temperature (CCT) per ANSI C78.377
- CRI 80 minimum colour rendering with balanced spectrum
- Designed for use with standard Grid (NEMA "G") or Narrow Grid (NEMA "NFG") ceiling T-bars – Drywall or plaster application requires use with the FMA "F" mounting frame accessory (sold and shipped separately)
- Accessory field install kits available for surface (FSK and FSF) mounting

### Construction/Finish

- Extruded aluminum frame post painted with gloss white enamel finish – Corners are precision welded for seamless aesthetic
- Die formed driver box with standard access plate for ease of wiring, provides tool-free access to driver(s) from above
- Back lit LED arrays with optics provide highly efficient and unpixelated transfer of light to the lens
- Integral clips accommodate definitive attachment to T-bar grid for recessed applications
- Die formed surface box accessory kit post painted gloss white enamel

### Field Selectable CCT and Wattage

- CCT can easily be selected in the field between 5000K / 4000K / 3500K
- Wattage selection allows for easy field selection between three lumen packages (see performance chart for details)



### Enclosure

- Polystyrene diffuser provides visual comfort and high efficiency
- Flat opal lens is easy to clean and provides a uniform aesthetic on the ceiling plane
- Tight enclosure assembly impedes ingress of dust and insects

### Electrical

- Up to 141 lm/W efficacy
- Driver featuring high power factor (>0.90), 120-347V 60/50Hz, and less than 15% THD
- Minimum start temperature -20°C (-4°F)
- Standard configurations are 0-10V dimming to 5%
- Electromagnetic interference (EMI) compliant to FCC Title 47 Part 15 class A
- Flicker and stroboscopic effect compliant to NEMA 77-2017
- TM-21 predicted L82 lumen maintenance up to 60,000 hours per LED manufacturer LM-80 report
- cULus listed to UL and CSA standards, suitable for damp locations
- Non-IC rated
- Selectable backlit panel luminaires are Designlights Consortium® Premium qualified. Please see the DLC QPL list for exact catalogue numbers [www.designlights.org/QPL](http://www.designlights.org/QPL).

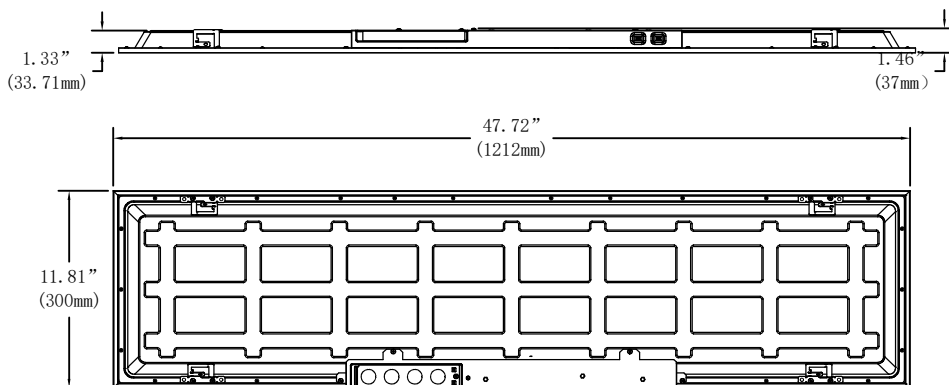
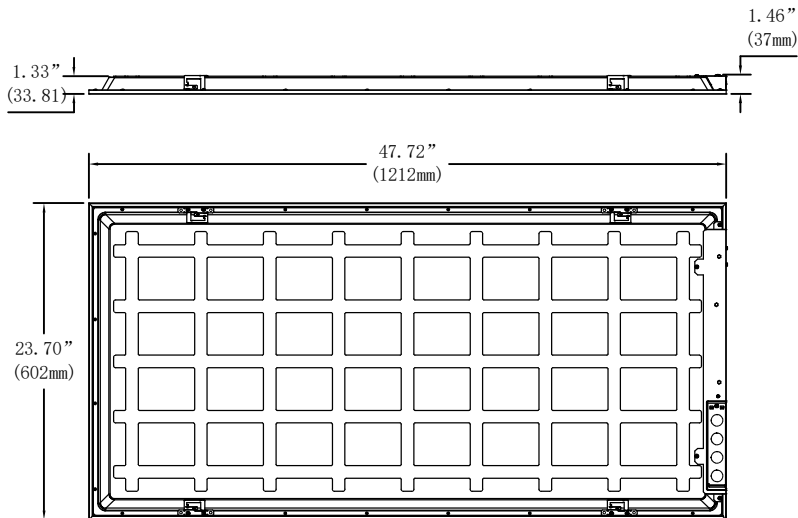
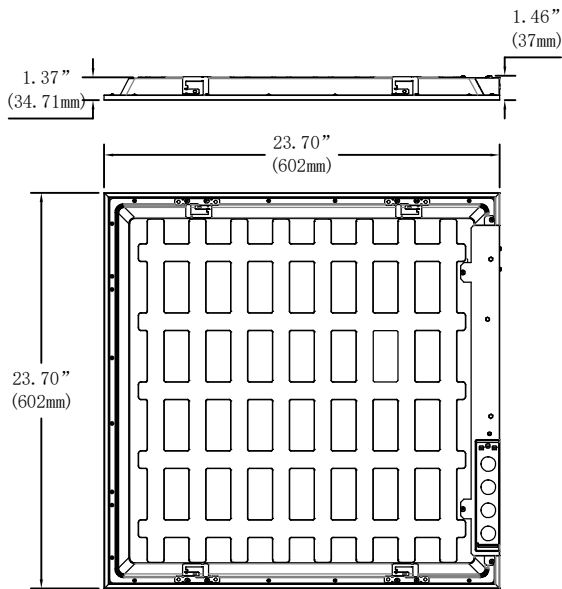
### General Notes

- All accessories are field installed
- Many luminaire components, such as reflectors, refractors, lenses, sockets, lampholders, and LEDs are made from various types of plastics which can be adversely affected by airborne contaminants – If sulfur based chemicals, petroleum based products, cleaning solutions, or other contaminants are expected in the intended area of use, consult factory for compatibility
- Five year limited luminaire warranty includes LED boards and driver – Visit [www.signify.com/warranties](http://www.signify.com/warranties) for complete warranty information

# 1SBP/2SBP Selectable backlit panel

## Selectable lumens and CCT

### Dimensions



# 1SBP/2SBP Selectable backlit panel

## Selectable lumens and CCT

### Photometry

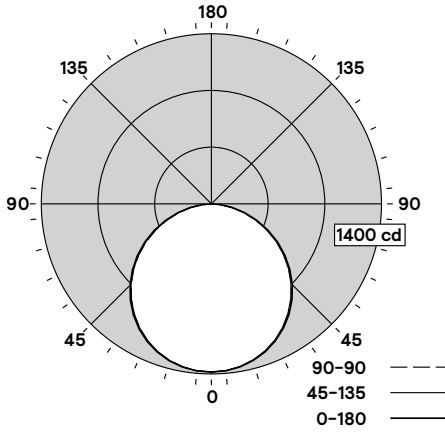
#### 1SBP2440L8CSP-4-UN3-DIM-4000K

Luminaire Lumens	4045
Luminaire Efficacy Rating (LER)	133.3
Total Luminaire Watts	30.4
Spacing Criterion (0-180)	1.27

	Candela Distribution					Flux
	0	45	90	135	180	Lumens
0	1385	1385	1385	1385	1385	
5	1379	1377	1379	1379	1380	131
15	1333	1329	1334	1334	1338	376
25	1244	1236	1244	1242	1250	572
35	1113	1099	1108	1107	1118	692
45	941	926	934	935	947	721
55	738	722	728	731	744	653
65	514	499	502	507	520	501
75	285	274	274	281	291	296
85	77	71	71	76	82	89
90	6	5	5	7	7	

Zonal Lumen Summary			
Zone	Lumens	%Fixture	%Lamp
0-30	1079	26.7%	26.7%
0-40	1772	43.8%	43.8%
0-60	3146	77.8%	77.8%
0-90	4045	100.0%	100.0%
0-180	4045	100.0%	100.0%

Avg. Luminance (cd/m <sup>2</sup> )			
	0	90	180
0	4773	4773	4773
5	4772	4772	4776
15	4759	4761	4774
25	4734	4733	4754
35	4682	4664	4706
45	4590	4553	4617
55	4438	4376	4472
65	4190	4094	4242
75	3794	3647	3877
85	3060	2812	3243



Coefficients of Utilization %											
Pc---	80				70			50		0	
Pw---	70	50	30	10	70	50	30	50	30	10	0
RCR											
0	119	119	119	119	116	116	116	111	111	111	100
1	108	104	99	95	106	101	97	97	94	91	83
2	98	90	83	77	96	88	82	84	79	74	69
3	90	79	71	64	87	77	70	74	68	62	58
4	82	70	61	54	80	68	60	66	59	53	49
5	75	62	53	46	73	61	53	59	51	46	42
6	70	56	47	40	68	55	47	53	46	40	37
7	64	51	42	36	63	50	42	48	41	35	33
8	60	46	38	32	58	46	37	44	37	31	29
9	56	42	34	29	55	42	34	41	33	28	26
10	52	39	31	26	51	39	31	38	31	26	24

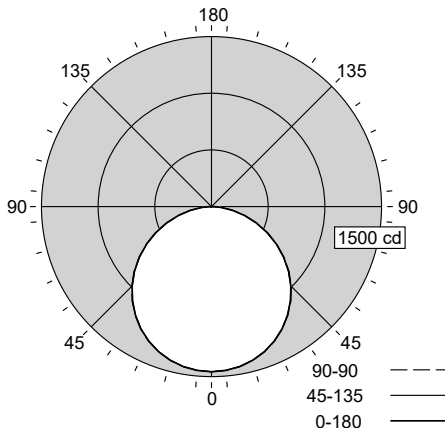
#### 2SBP2440L8CSP-2-UN3-DIM-4000K

Luminaire Lumens	4311
Luminaire Efficacy Rating (LER)	140.1
Total Luminaire Watts	30.8
Spacing Criterion (0-180)	1.27
Spacing Criterion (90-270)	1.27

	Candela Distribution					Flux
	0	45	90	135	180	Lumens
0	1457	1457	1457	1457	1457	
5	1451	1451	1452	1451	1451	138
15	1404	1403	1405	1403	1404	396
25	1310	1308	1312	1308	1310	604
35	1171	1168	1174	1168	1171	732
45	990	988	995	988	990	764
55	777	776	782	776	777	695
65	541	541	547	541	541	537
75	301	303	307	303	301	322
85	90	89	87	89	90	105
90	22	18	8	18	22	

Zonal Lumen Summary			
Zone	Lumens	%Fixture	%Lamp
0-30	1138	26.4%	26.4%
0-40	1870	43.4%	43.4%
0-60	3328	77.2%	77.2%
0-90	4311	100.0%	100.0%
0-180	4311	100.0%	100.0%

Avg. Luminance (cd/m <sup>2</sup> )			
	0	90	180
0	4742	4742	4742
5	4741	4745	4741
15	4732	4737	4732
25	4706	4713	4706
35	4652	4666	4652
45	4560	4582	4560
55	4409	4441	4409
65	4166	4215	4166
75	3792	3857	3792
85	3367	3239	3367



Coefficients of Utilization %											
Pc---	80				70			50		0	
Pw---	70	50	30	10	70	50	30	50	30	10	0
RCR											
0	119	119	119	119	116	116	116	111	111	111	100
1	108	103	99	95	105	101	97	97	93	90	83
2	98	90	83	77	96	88	81	84	79	74	68
3	89	79	70	64	87	77	69	74	67	62	57
4	82	70	61	54	79	68	60	66	58	53	49
5	75	62	53	46	73	61	52	59	51	45	42
6	69	56	47	40	67	55	46	53	45	40	37
7	64	51	42	35	62	50	41	48	41	35	32
8	60	46	37	32	58	45	37	44	37	31	29
9	56	42	34	28	54	42	34	40	33	28	26
10	52	39	31	26	51	38	31	37	30	25	23

# 1SBP/2SBP Selectable backlit panel

## Selectable lumens and CCT

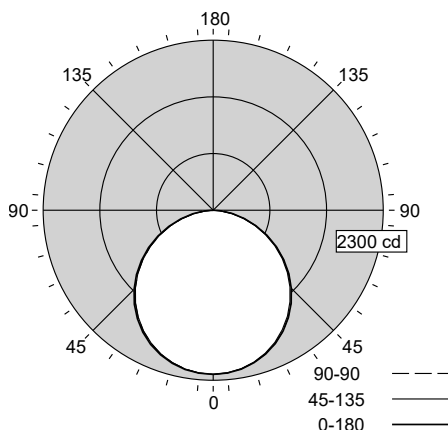
### 2SBP4060L8CSP-4-UN3-DIM-4000K

**Luminaire Lumens** 6418  
**Luminaire Efficacy Rating (LER)** 139.4  
**Total Luminaire Watts** 46  
**Spacing Criterion (0-180)** 1.27  
**Spacing Criterion (90-270)** 1.26

Candela Distribution					Flux	
	0	45	90	135	180	Lumens
0	2220	2220	2220	2220	2220	
5	2210	2208	2210	2210	2212	210
15	2136	2128	2135	2134	2143	602
25	1989	1972	1988	1985	2003	915
35	1773	1750	1770	1767	1790	1105
45	1495	1469	1491	1489	1513	1147
55	1164	1140	1161	1161	1186	1036
65	802	781	800	802	824	791
75	437	420	434	438	456	461
85	114	100	104	111	126	132
90	8	7	6	9	12	

Zonal Lumen Summary			
Zone	Lumens	%Fixture	%Lamp
0-30	1727	26.9%	26.9%
0-40	2831	44.1%	44.1%
0-60	5014	78.1%	78.1%
0-90	6418	100.0%	100.0%
0-180	6418	100.0%	100.0%

Avg. Luminance (cd/m²)			
	0	90	180
0	3453	3453	3453
5	3449	3449	3453
15	3438	3437	3451
25	3413	3411	3437
35	3366	3361	3398
45	3288	3279	3328
55	3157	3148	3214
65	2949	2943	3031
75	2625	2607	2739
85	2025	1861	2243



Coefficients of Utilization %												
PC---	80				70				50			
	70	50	30	10	70	50	30	50	30	10	0	
Pw---	70	50	30	10	70	50	30	50	30	10	0	
RCR												
0	119	119	119	119	116	116	116	111	111	111	100	
1	109	104	99	95	106	101	97	97	94	91	83	
2	99	90	83	77	96	88	82	85	79	75	69	
3	90	79	71	64	87	77	70	74	68	62	58	
4	82	70	61	54	80	69	60	66	59	53	49	
5	75	62	53	47	73	61	53	59	52	46	43	
6	70	56	47	41	68	55	47	53	46	40	37	
7	65	51	42	36	63	50	42	49	41	35	33	
8	60	46	38	32	58	46	38	44	37	32	29	
9	56	43	34	29	55	42	34	41	34	29	26	
10	53	39	31	26	51	39	31	38	31	26	24	



© 2024 Signify Holding. All rights reserved. The information provided herein is subject to change, without notice. Signify does not give any representation or warranty as to the accuracy or completeness of the information included herein and shall not be liable for any action in reliance thereon. The information presented in this document is not intended as any commercial offer and does not form part of any quotation or contract, unless otherwise agreed by Signify.

Signify North America Corporation  
 400 Crossing Blvd, Suite 600,  
 Bridgewater, NJ 08807  
 Telephone 800-555-0050

Signify Canada Ltd.  
 281 Hillmount Road,  
 Markham, ON, Canada L6C 2S3  
 Telephone 800-668-9008

All trademarks are owned by Signify Holding or their respective owners.