



Main

Range of Product	Harmony GTUX
Product or Component Type	EXtreme touchscreen panel
Terminal type	Touchscreen display
[Us] rated supply voltage	12 V DC power supply
Supply voltage limits	10.8...28.8 V
Power consumption in W	12.5 W
Inrush current	30 A

Complementary

Touchscreen resolution	1024 x 1024
Pixel resolution	800 x 480
Display size	7 inch
Aspect ratio	4:3
Display type	Colour TFT LCD
Display Resolution	800 x 480 pixels WVGA
Display colour	262144 colors
Luminance	92.90 fc (1000 cd/m ²)
Touch panel	Single touch analogue resistive
Type of cooling	Natural convection
Cut-out dimensions	394 (+ 1/- 0) x 250 (+ 1/- 0) mm
Width	8.02 in (203.6 mm)
Height	5.85 in (148.6 mm)
Depth	1.46 in (37 mm)
Net Weight	2.87 lb(US) (1.3 kg)

Environment

IP degree of protection	IP66f IP67f Front panel Type 4X
Standards	UL 61010 UL 121201 Class I division 2 CSA C22.2 No 213 CSA C22.2 No 61010-1 IEC 61132-2
Product Certifications	KC[RETURN]CE[RETURN]RCM[RETURN]EAC[RETURN]ATEX zone 2/22[RETURN]IEC-Ex[RETURN]JUL[RETURN]CSA[RETURN]UKCA[RETURN]UKEX
Ambient air temperature for operation	-22...149 °F (-30...65 °C)
Ambient air temperature for storage	-22...158 °F (-30...70 °C)
Pollution degree	2
Environmental characteristic	Corrosive gas free UV resistant
Relative Humidity	10...90 % non-condensing
Operating altitude	6561.68 ft (2000 m)

The information provided in this documentation contains general descriptions and/or technical characteristics of the performance of the products contained herein. This documentation is not intended as a substitute for and is not to be used for determining suitability or reliability of these products for specific user applications. It is the duty of any such user or integrator to perform the appropriate and complete risk analysis, evaluation and testing of the products with respect to the relevant specific application or use thereof. Neither Schneider Electric Industries SAS nor any of its affiliates or subsidiaries shall be responsible or liable for misuse of the information contained herein.

Vibration resistance	7 mm constant amplitude 5...9 Hz) IEC 61131-2 19.6 m/s ² 9...150 Hz) IEC 61131-2
Shock resistance	392 m/s ² IEC 61131-2
Electromagnetic compatibility	Electrostatic discharge immunity test level 3 conforming to IEC 61000-4-2

Ordering and shipping details

Category	22567-MAGELIS HMI GTU
Discount Schedule	MC2
GTIN	3606489747947
Returnability	Yes
Country of origin	CN

Packing Units

Unit Type of Package 1	PCE
Number of Units in Package 1	1
Package 1 Height	5.16 in (13.1 cm)
Package 1 Width	8.27 in (21 cm)
Package 1 Length	10.24 in (26 cm)
Package 1 Weight	3.32 lb(US) (1.504 kg)
Unit Type of Package 2	S04
Number of Units in Package 2	4
Package 2 Height	11.81 in (30 cm)
Package 2 Width	15.75 in (40 cm)
Package 2 Length	23.62 in (60 cm)
Package 2 Weight	15.21 lb(US) (6.9 kg)
Unit Type of Package 3	P12
Number of Units in Package 3	32
Package 3 Height	53.15 in (135 cm)
Package 3 Width	31.50 in (80 cm)
Package 3 Length	47.24 in (120 cm)
Package 3 Weight	154.09 lb(US) (69.892 kg)

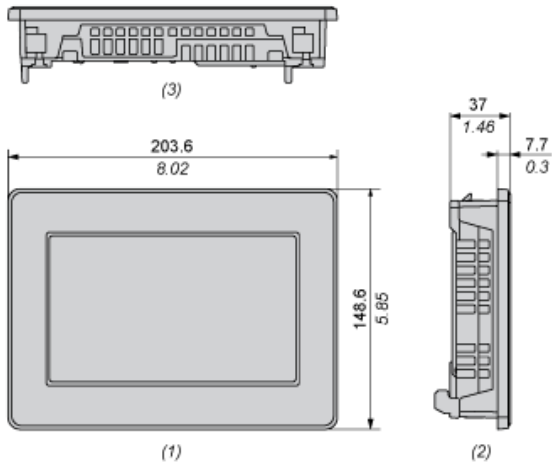
Offer Sustainability

Sustainable offer status	Green Premium product
California proposition 65	WARNING: This product can expose you to chemicals including: Lead and lead compounds, which is known to the State of California to cause cancer and birth defects or other reproductive harm. For more information go to www.P65Warnings.ca.gov
REACH Regulation	REACH Declaration
EU RoHS Directive	Pro-active compliance (Product out of EU RoHS legal scope)
Mercury free	Yes
China RoHS Regulation	China RoHS Declaration
RoHS exemption information	Yes
Environmental Disclosure	Product Environmental Profile
Circularity Profile	End Of Life Information

External Dimensions

Display Unit

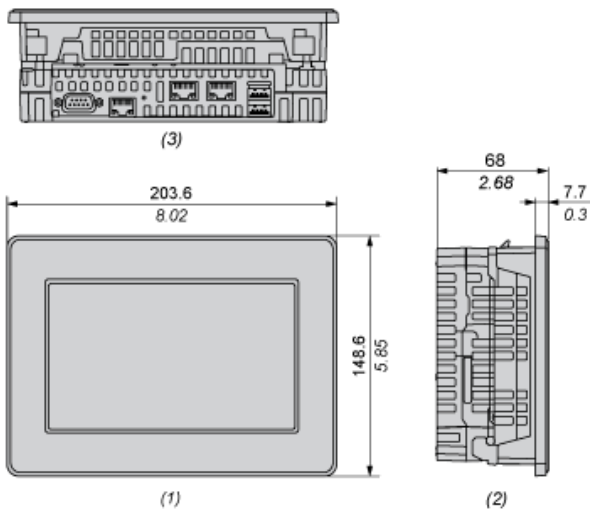
mm
in.



- 1 : Front
- 2 : Left
- 3 : Bottom

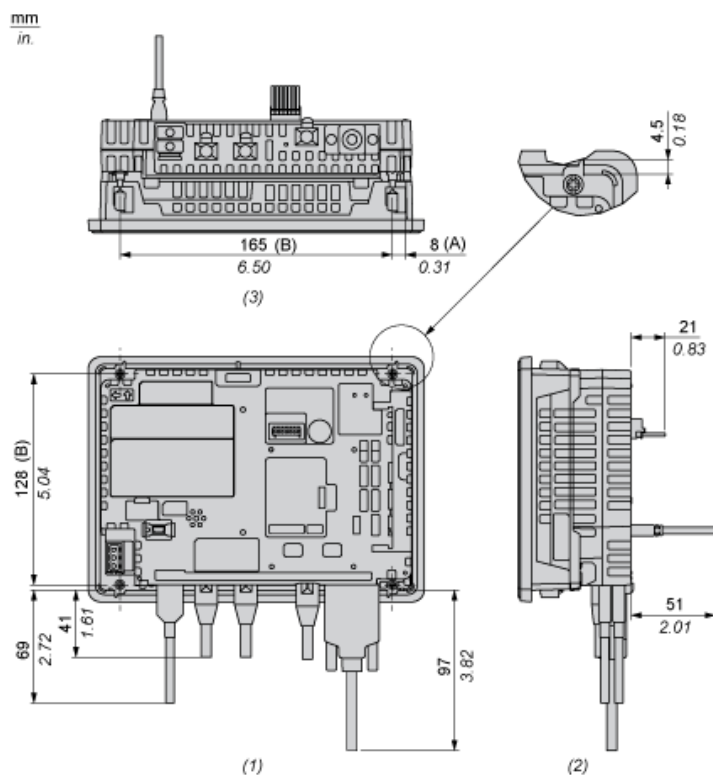
Display Unit with Box Module

mm
in.



- 1 : Front
- 2 : Left
- 3 : Bottom

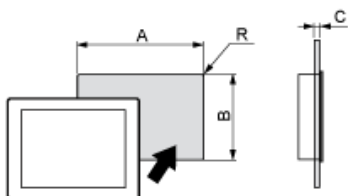
Dimensions with Cables



- (A) : Rotation area of the fastener
- (B) : Pitch of the enter of installation fastener screws
- 1 : Rear
- 2 : Right
- 3 : Bottom

Mounting and Clearance

Panel Cut Dimensions



Dimensions in mm

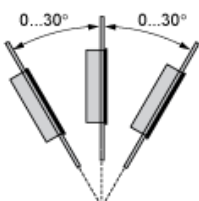
A	B	C	R
190 (+1/-0)	135 (+1/-0)	1.6...5	3 max.

Dimensions in in.

A	B	C	R
7.48 (+0.04/-0)	5.31 (+0.04/-0)	0.06...0.2	0.12 max.

Installation Requirements

Mounting Angle



When installing this product in a slanted position, the product face should not incline more than 30°.

Clearance

