



### Main

Range of Product	Modicon Premium Automation platform
Product or Component Type	Discrete input module
Discrete input number	16 capacitive isolated EN/IEC 61131-2 type 2
Discrete input voltage	48 V AC
Network frequency	50/60 Hz 47...63 Hz AC
Sensor power supply	40...52 V
Input compatibility	With 2-wire/3-wire proximity sensors EN/IEC 60947-5-2
Discrete input current	16 mA

### Complementary

Voltage state 1 guaranteed	29 V
Current state 1 guaranteed	6 mA
Voltage state 0 guaranteed	10 V
Current state 0 guaranteed	4 mA
Input impedance	3200 Ohm at state 1
Response Time	10 ms <= 20 ms
Isolation resistance	< 10 MOhm 500 V DC
Power dissipation	0.86 W
Electrical Connection	Screw terminal
Marking	CE
Current consumption	80 mA 5 V DC
Module format	Standard
Net Weight	0.71 lb(US) (0.32 kg)

### Environment

Dielectric strength	1500 V AC 50/60 Hz
Standards	CSA C22.2 No 213 Class I Division 2 Group B 93/68/EEC CSA C22.2 No 213 Class I Division 2 Group C 73/23/EEC 92/31/EEC CSA C22.2 No 213 Class I Division 2 Group D EN/IEC 61131-2 UL 508 89/336/EEC IEC 60664 CSA C22.2 No 142 CSA C22.2 No 213 Class I Division 2 Group A
Product Certifications	BV[RETURN]RMRS[RETURN]GL[RETURN]ABS[RETURN]LR[RETURN]RINA[RETURN]DNV
Ambient Air Temperature for Operation	32...140 °F (0...60 °C)
Ambient Air Temperature for Storage	-13...158 °F (-25...70 °C)
Relative Humidity	10...95 % without condensation for operation 5...95 % without condensation for storage
Operating altitude	0...6561.68 ft (0...2000 m)
Protective treatment	TC
IP Degree of Protection	IP20
Pollution degree	2

## Ordering and shipping details

Category	22558-TSX PREMIUM, ATRIUM & PL7 PRO
Discount Schedule	PC22
GTIN	3389110725476
Returnability	No
Country of origin	FR

## Packing Units

Unit Type of Package 1	PCE
Number of Units in Package 1	1
Package 1 Height	2.17 in (5.5 cm)
Package 1 Width	7.09 in (18.0 cm)
Package 1 Length	10.24 in (26.0 cm)
Package 1 Weight	15.38 oz (436.0 g)
Unit Type of Package 2	S03
Number of Units in Package 2	8
Package 2 Height	11.81 in (30.0 cm)
Package 2 Width	11.81 in (30.0 cm)
Package 2 Length	15.75 in (40.0 cm)
Package 2 Weight	8.83 lb(US) (4.003 kg)

## Offer Sustainability

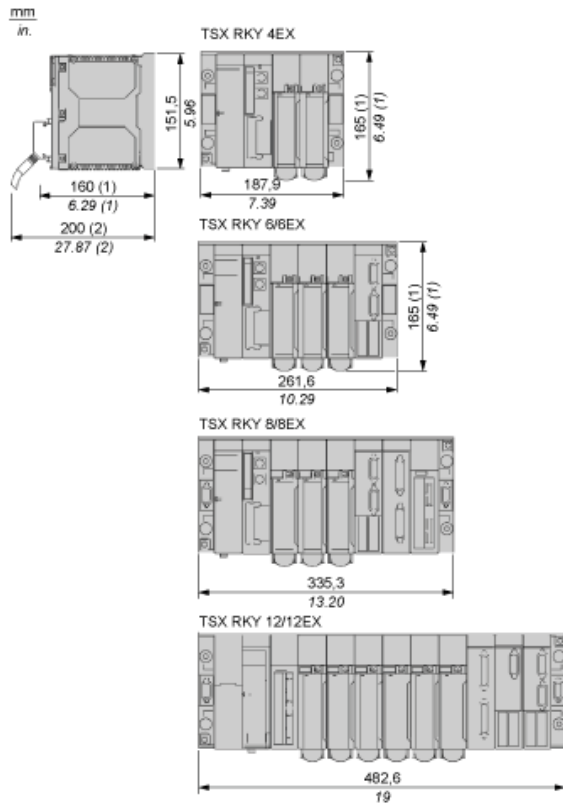
California proposition 65	WARNING: This product can expose you to chemicals including: Lead and lead compounds which is known to the State of California to cause cancer and birth defects or other reproductive harm. For more information go to <a href="http://www.p65warnings.ca.gov">www.p65warnings.ca.gov</a>
---------------------------	--

## Contractual warranty

Warranty	18 months
----------	-----------

Standard and Extendable Racks for Modules Mounting

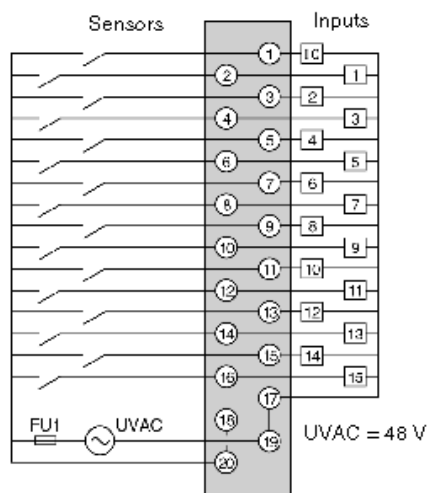
Dimensions of Modules and Racks



- (1) With screw terminal block modules.
- (2) Maximum depth for all types of modules and their associated connectors.

48 Vac Discrete Input 16-Channel Module

Wiring Diagram



FU1 0.5 A quick-blow fuse