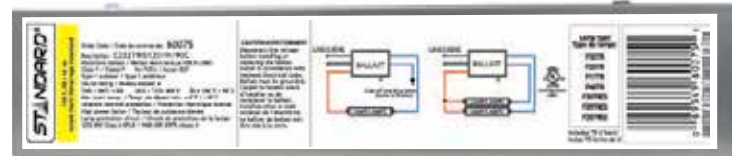


## ORDERING INFORMATION

Order code: 60075  
 Description: E232T8IS120/H/90C  
 UPC: 69549600751



## SPECIFICATIONS

**Ballast type:** Electronic  
**Starting method:** Instant Start (IS)  
**Lamp connection:** Parallel  
**Input voltage (V):** 120V  
**Input frequency (Hz):** 50/60HZ  
**Max. case temperature:** 90 °C  
**Thermal protection:** Class P

**Type:** 1 Outdoor  
**Contains PCBs:** No  
**Sound rating:** A  
**Open current voltage (OCV) (V):** 600  
**Inherent thermal protection:** Yes  
**Lamp protection circuit:** Yes  
**ICES-005 Compliant:** Class A RFLD  
**Auto-restrike:** Yes



Lamp type	Number of lamps	Rated lamp watts	Min. start temp. (°F / °C)	Input current (A)	Input power (ANSI watts)	Ballast factor	Max THD (%)	Power factor	Max. lamp current crest factor	B.E.F.
<b>120 VOLTS</b>										
F32T8 (32W)	2	32	0/-18	0.64	74	1.20	10	0.99	1.7	1.62
F32T8/ES (30W)	2	30	32/0	0.62	71	1.20	10	0.99	1.7	1.69
F32T8/ES (28W)	2	28	32/0	0.58	68	1.20	10	0.99	1.7	1.76
F32T8/ES (25W)	2	25	32/0	0.54	65	1.20	10	0.99	1.7	1.85
F25T8 (25W)	2	25	0/-18	0.49	60	1.21	10	0.99	1.7	2.02
F17T8 (17W)	2	17	0/-18	0.36	44	1.26	10	0.99	1.7	2.86
LED22T8 (22W)	2	22	0/-18	0.49	58	-	10	1.00	-	-
LED18T8 (18W)	2	18	0/-18	0.40	47	-	10	1.00	-	-
F32T8 (32W)	1	32	0/-18	0.40	48	1.41	10	0.99	1.7	2.94
F32T8/ES (30W)	1	30	32/0	0.40	45	1.41	15	0.98	1.7	3.13
F32T8/ES (28W)	1	28	32/0	0.38	43	1.41	10	0.99	1.7	3.28
F32T8/ES (25W)	1	25	32/0	0.34	41	1.41	15	0.99	1.7	3.44
F25T8 (25W)	1	25	0/-18	0.31	38	1.44	10	0.99	1.7	3.79
F40T8 (40W)	1	40	32/0	0.48	59	1.38	10	0.99	1.7	2.34
LED22T8 (22W)	1	22	0/-18	0.34	40	-	10	1.00	-	-
LED18T8 (18W)	1	18	0/-18	0.27	32	-	10	1.00	-	-

### WARRANTY:

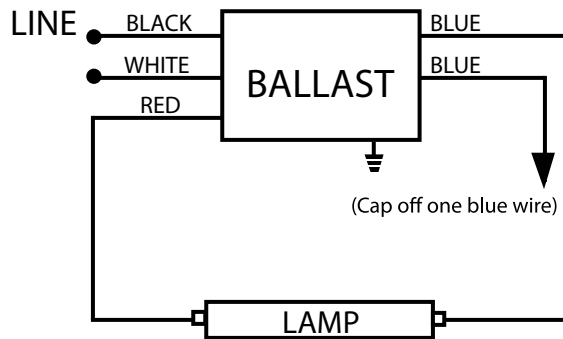
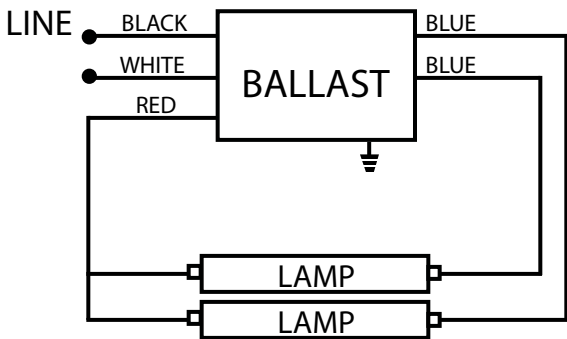
Ballast warranty of 5 years for electronic ballast 75 °C. Ballast warranty of 3 years for electronic ballast 90 °C. For more information visit our website.

Data is based upon tests performed in a controlled environment and representative of relative performance. Actual performance can vary depending on operating conditions. Specifications are subject to change without notice. March 9, 2015

## ORDERING INFORMATION

Order code: 60075  
 Description: E232T8IS120/H/90C  
 UPC: 69549600751

## WIRING DIAGRAM

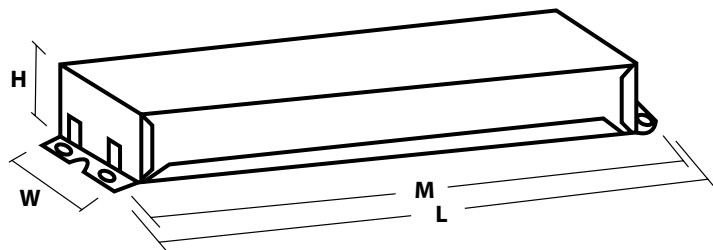


## LEADS LENGTH

Black	18.8" (48.0 cm)
White	18.8" (48.0 cm)
Blue	30.9" (78.5 cm)
Red	46.4" (118.0 cm)

## BALLAST DIMENSIONS

Length (L):	9.50" (24.10 cm)
Width (W):	1.30" (3.30 cm)
Height (H):	1.00" (2.54 cm)
Mounting (M):	8.90" (22.60 cm)



## WARRANTY:

Ballast warranty of 5 years for electronic ballast 75 °C. Ballast warranty of 3 years for electronic ballast 90 °C.  
 For more information visit our website.

Data is based upon tests performed in a controlled environment and representative of relative performance.  
 Actual performance can vary depending on operating conditions. Specifications are subject to change without notice.  
 March 9, 2015