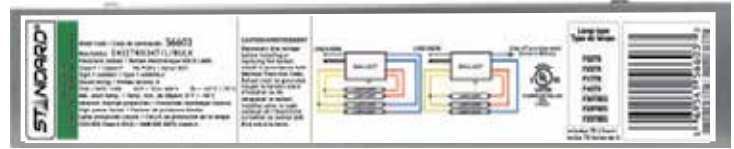


ORDERING INFORMATION

Order code: 56603
 Description: E432T8IS347/L/BULK
 UPC: 69549566033



SPECIFICATIONS

Ballast type:	Electronic	Type	1 Outdoor
Starting method:	Instant Start	Contains PCBs:	No
Lamp connection:	Parallel	Sound rating:	A
Input voltage (V):	347	Open current voltage (OCV) (V):	600
Input frequency (Hz):	60	Inherent thermal protection:	Yes
Max. case temperature:	75 °C	Lamp protection circuit:	Yes
Thermal protection:	Class P	ICES-005 Compliant:	Class A RFLD
		Auto-restrike:	Yes



Lamp type	Number of lamps	Rated lamp watts	Min. start temp. (°F / °C)	Input current (A)	Input power (ANSI watts)	Ballast factor	Max THD (%)	Power factor	Max. lamp current crest factor	B.E.F.
347 VOLTS										
F32T8 (32W)	4	32	0/-18	0.27	92	0.77	10	0.99	1.7	0.84
F32T8/ES (30W)	4	30	32/0	0.27	90	0.77	10	0.99	1.7	0.86
F32T8/ES (28W)	4	28	32/0	0.24	84	0.77	10	0.99	1.7	0.92
F32T8/ES (25W)	4	25	32/0	0.21	77	0.77	10	0.99	1.7	1.00
F25T8 (25W)	4	25	0/-18	0.21	74	0.75	10	0.99	1.7	1.01
F17T8 (17W)	4	17	0/-18	0.16	54	0.84	10	0.99	1.7	1.56
LED22T8 (22W)	4	22	0/-18	0.22	74	-	10	0.99	-	-
LED18T8 (18W)	4	18	0/-18	0.20	67	-	10	0.99	-	-
F32T8 (32W)	3	32	0/-18	0.23	77	0.84	10	0.99	1.7	1.09
F32T8/ES (30W)	3	30	32/0	0.22	75	0.84	10	0.99	1.7	1.12
F32T8/ES (28W)	3	28	32/0	0.20	70	0.84	10	0.99	1.7	1.20
F32T8/ES (25W)	3	25	32/0	0.19	65	0.84	10	0.99	1.7	1.29
F25T8 (25W)	3	25	0/-18	0.18	62	0.81	10	0.99	1.7	1.31
F17T8 (17W)	3	17	0/-18	0.13	45	0.92	10	0.98	1.7	2.04
F40T8 (40W)	3	40	32/0	0.28	97	0.77	10	0.99	1.7	0.79
LED22T8 (22W)	3	22	0/-18	0.18	63	-	10	0.98	-	-
LED18T8 (18W)	3	18	0/-18	0.17	57	-	10	0.98	-	-
LED22T8 (22W)	2	22	0/-18	0.15	49	-	10	0.98	-	-
LED18T8 (18W)	2	18	0/-18	0.13	45	-	10	0.97	-	-
LED22T8 (22W)	1	22	0/-18	0.10	32	-	10	0.92	-	-
LED18T8 (18W)	1	18	0/-18	0.09	29	-	10	0.90	-	-

WARRANTY:

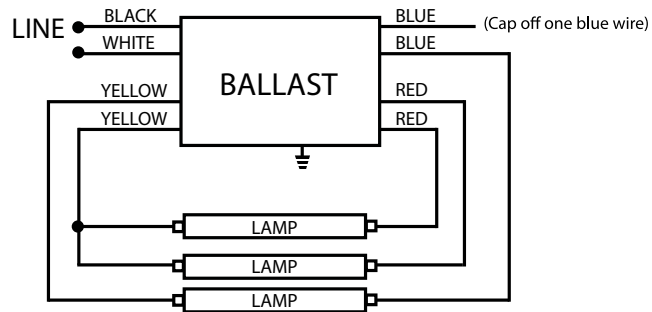
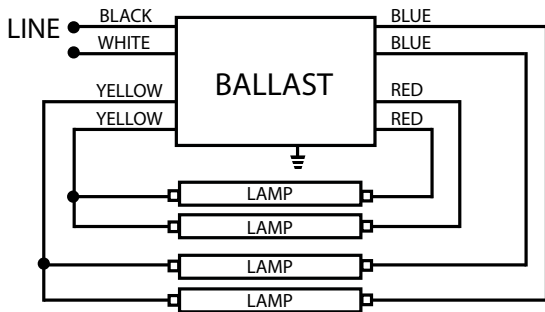
Ballast warranty of 5 years for electronic ballast 75 °C. Ballast warranty of 3 years for electronic ballast 90 °C.
 For more information visit our website.

Data is based upon tests performed in a controlled environment and representative of relative performance.
 Actual performance can vary depending on operating conditions. Specifications are subject to change without notice.
 March 9, 2015

ORDERING INFORMATION

Order code: 56603
 Description: E432T8IS347/L/BULK
 UPC: 69549566033

WIRING DIAGRAM

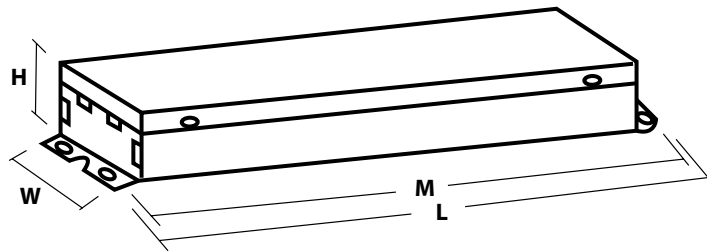


LEADS LENGTH

Black	18.0" (48.0 cm)
White	18.0" (48.0 cm)
Blue	30.9" (78.5 cm)
Red	30.9" (78.5 cm)
Yellow	46.0" (116.84 cm)

BALLAST DIMENSIONS

Length (L):	9.50" (24.10 cm)
Width (W):	1.70" (4.30 cm)
Height (H):	1.14" (2.90 cm)
Mounting (M):	8.90" (22.60 cm)



WARRANTY:

Ballast warranty of 5 years for electronic ballast 75 °C. Ballast warranty of 3 years for electronic ballast 90 °C.
 For more information visit our website.

Data is based upon tests performed in a controlled environment and representative of relative performance.
 Actual performance can vary depending on operating conditions. Specifications are subject to change without notice.
 March 9, 2015