



Main

Range of product	Modicon Quantum automation platform
Product or component type	Fibre optic repeater
Optic fiber type	Single mode

Complementary

Bus current requirement	750 mA
Power dissipation in W	5 W
Inrush current	1.8 A 5 V DC
Number of port	2 fiber optic LC 1 coaxial connector
Local signalling	1 LED green RDY module status 1 LED red ERR internal fault, module failure 1 LED green coaxial communication status 2 LEDs green optical communication status 1 LED red FAULT error 1 LED red activity detected
Wavelength	0.000051181 in (1300 nm)
Optic distance between 2 transceivers	52493.44 ft (16000 m) 9/125 µm)0.45 dBm
Attenuation	-15...-8 dB 9/125 µm)
Rise/fall time	20 ns
Receiver sensitivity	- 25 dBm
Dynamic range	20 dB
Detected silence	-45 dBm
Marking	CE
Material	PC (polycarbonate)
AWG gauge	AWG 14...AWG 1
Maximum Width	1.59 in (40.34 mm)
Height	9.84 in (250 mm)
Depth	4.09 in (103.85 mm)
Net Weight	1.22 lb(US) (0.554 kg)

Environment

Ambient air temperature for operation	32...140 °F (0...60 °C)
Ambient air temperature for storage	-40...185 °F (-40...85 °C)
Relative humidity	0...95 %
Operating altitude	0...6561.68 ft (0...2000 m)
Standards	FM Class 1 Division 2 CSA C22.2 No 142 UL 508
Product certifications	Merchant Navy

Ordering and shipping details

Category	18155 - QUANTUM I/O & POWER SUPPLIES
Discount Schedule	PC21
GTIN	00785901340454
Nbr. of units in pkg.	1
Package weight(Lbs)	2.21 lb(US) (1.00 kg)
Returnability	No
Country of origin	FR

Packing Units

Unit Type of Package 1	PCE
Package 1 Height	1.77 in (4.5 cm)
Package 1 width	6.50 in (16.5 cm)
Package 1 Length	12.40 in (31.5 cm)
Unit Type of Package 2	S02
Number of Units in Package 2	2
Package 2 Weight	2.75 lb(US) (1.248 kg)
Package 2 Height	5.91 in (15 cm)
Package 2 width	11.81 in (30 cm)
Package 2 Length	15.75 in (40 cm)

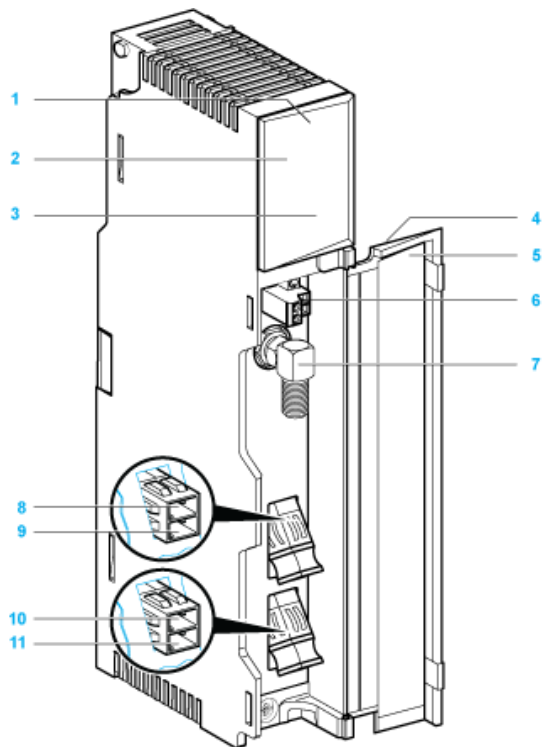
Offer Sustainability

Sustainable offer status	Green Premium product
California proposition 65	WARNING: This product can expose you to chemicals including: Lead and lead compounds, which is known to the State of California to cause cancer and birth defects or other reproductive harm. For more information go to www.P65Warnings.ca.gov
REACH Regulation	REACH Declaration
REACH free of SVHC	Yes
EU RoHS Directive	Pro-active compliance (Product out of EU RoHS legal scope) EU RoHS Declaration
Mercury free	Yes
RoHS exemption information	Yes
China RoHS Regulation	China RoHS Declaration
Environmental Disclosure	Product Environmental Profile
Circularity Profile	End Of Life Information
WEEE	The product must be disposed on European Union markets following specific waste collection and never end up in rubbish bins.

Contractual warranty

Warranty	18 months
----------	-----------

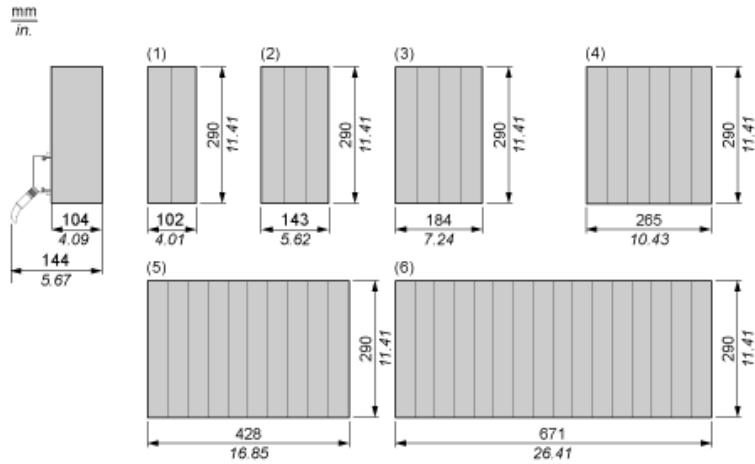
Presentation



- 1 Version label
- 2 Model number, module description, color code
- 3 LED area
- 4 Removable door
- 5 Customer identification label (Fold label and place it inside door)
- 6 Diagnostic relay port
- 7 Electrical coaxial port ("F" type connector)
- 8 Receiver optical fiber port - FPort 1 Rx (LC type connector)
- 9 Transmitter optical fiber port - FPort 1 Tx (LC type connector)
- 10 Receiver optical fiber port - FPort 2 Rx (LC type connector)
- 11 Transmitter optical fiber port - FPort2 Tx (LC type connector)

Racks for Modules Mounting

Dimensions of Modules and Racks



- (1) 2 slots
- (2) 3 slots
- (3) 4 slots
- (4) 6 slots
- (5) 10 slots
- (6) 16 slots