

OB300-CCT27

High performance recessed downlight with 27K-3K-4K selectable color temperature



| | |
|--------|--|
| NAME: | |
| TYPE: | |
| DATE: | |
| NOTES: | |

SPECIFICATIONS

| | |
|-----------------------------|--|
| LIGHT UNIT: | Aluminum Die cast with powder paint coat preventing discoloring and rusting. |
| WIRING: | Plenum rated cable used to connect light unit and junction box. |
| JUNCTION BOX: | Aluminum extrusion, with full ½" knockouts on each side and the end of the junction box. Wiring compartment allows for (6) 12 gauge (AWG) or (8) 14 gauge (AWG) insulated conductors. Connection to one (1) downstream unit is permitted within the junction box compartment. The compartment satisfies junction box volume requirements of CSA C22.2 No. 250.0/UL 1598. |
| INSTALLATION: | Ideal for ceiling installations with no housing required. Steel spring clip for easy installation. Suitable for installation in t-grid and drop ceiling applications. |
| OPTICS: | COB (Chip on Board) LED technology uses light guided reflector to distribute light and optimize high level of delivered lumens. The regressed Gimbal design offers an anti-glare feature. |
| ELECTRICAL & PHASE CONTROL: | Easily connected to a 120V power supply via provided UL recognized driver. Optional 120-277V, 0-10V dimming driver available. Dimming down to 10% with most standard LED dimmers (see list of approved dimmers). Ambient operating temperature: -40°C (-40°F) to +40°C (+104°F). IC, WET Location and AIR-TIGHT rated. Phase Control: Forward Phase. Certifications: This product is ETL listed in USA & Canada, certified to UL standard 1598 and CSA standard C22.2 No. 250.0-08 |

| | |
|-------------------------------|---|
| CUTTING HOLE: | 3.25" (83mm) |
| MOUNTING PLATE: | MP300 / AMP300 / MPHB250-450 |
| BEAM ANGLE: | 36° |
| GIMBAL ANGLE / HEAD ROTATION: | 27° / 360° |
| COLOR TEMPERATURE: | 27K-3K-4K |
| CRI*: | 90 |
| LUMEN OUTPUT: | 800 lumens |
| DIMMABLE: | Yes |
| WATTS: | 11 watts |
| LED LIFE: | 50,000 hours |
| WARRANTY: | 5 years |
| WIRE CABLE: | FT4 |
| DRIVER (SPECIAL ORDER): | 120-277V, 0-10V Dimming (Model: OB300-400-277V-CCT) |

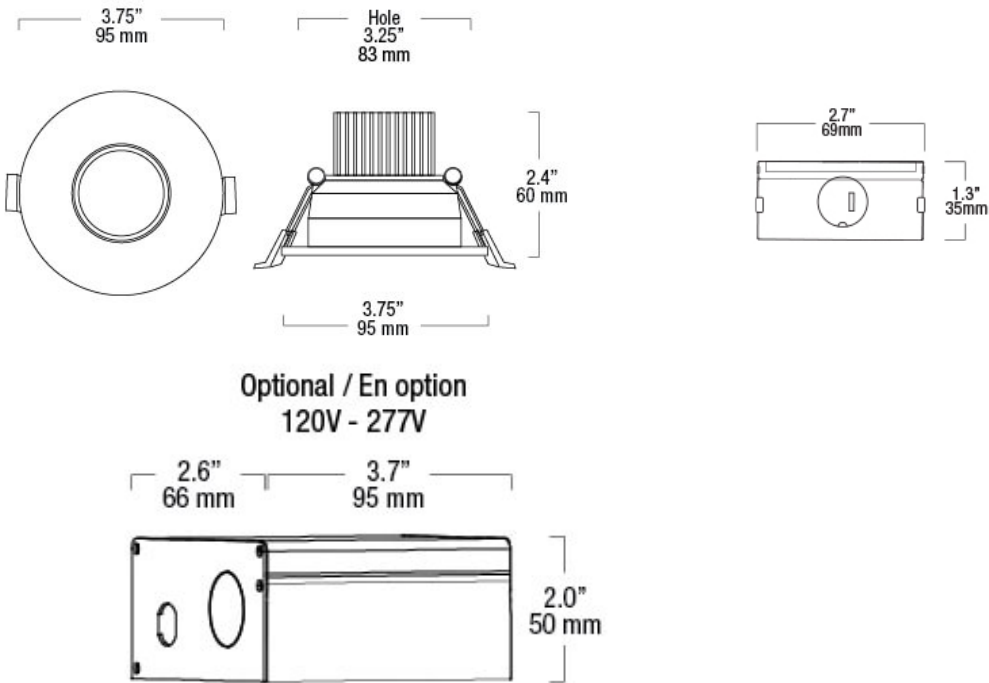
APPLICATIONS

The ORBIT series offers a high-performance LED (COB) recessed downlight with a pressure-fit spring clip application for an easy install. Whether it is a Remodel or New Construction installation, this unit is well suited for indoor / outdoor residential, hospitality, commercial and multifamily applications. It does not require a recessed housing for installation.

OB300-CCT27

High performance recessed downlight with 27K-3K-4K selectable color temperature

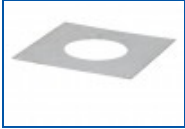
DIMENSIONS



OB300-CCT27

High performance recessed downlight with 27K-3K-4K selectable color temperature

ACCESSORIES



MOUNTING PLATE

Versatile square mounting plate allows for installation of all models of ndr lighting recessed lighting products. refer to our mounting plate compatibility chart to ensure the proper mounting plate is selected.



REMODEL VAPOUR BARRIER

The remodel vapour barrier unit may be used with all ndr lighting remodel housings. it is designed to prevent air leakage from your living space into the attic, or any insulated spaces.



ADJUSTABLE MOUNTING PLATE

Versatile adjustable mounting plate allows for installation of all models of ndr lighting recessed lighting products. refer to our mounting plate compatibility chart to ensure the proper mounting plate is selected.



GOOF RINGS

This goof ring is used when the ceiling hole is wider than the retrofit light unit being installed. refer to our goof ring compatibility chart to ensure the proper goof ring is selected.



UNIVERSAL MOUNTING PLATE WITH ADJUSTABLE HANGER BARS

This multi-size adjustable mounting plate allows for installation of all models of ndr lighting recessed lighting products. refer to our mounting plate compatibility chart to ensure the proper mounting plate is selected.



ORBIT MULTIPLATE

Our orbit line of led downlights is so amazing that you just cannot get enough of them! this orbit series accessory allows you to combine our 2" and 3" orbits into doubles or triples for an elegant, even brighter directional light source. just drop a couple of orbits in and they're installed faster than you think. a multiple look in seconds. "strength in numbers" has never been more relevant.

RATINGS



ORDERING GUIDE

ORBIT 300 CCT27 Series

| Series | Color Temperature | Finish |
|--------------------|------------------------------------|-----------------|
| OB300-CCT27 | CCT27 2700K-3K-4K/90CRI/11W | WH White |
| | CCT27 2700K-3K-4K/90CRI/11W | BK Black |

Notes: Configure product using **BOLD** options: Ex: **OB300-CCT27-WH**