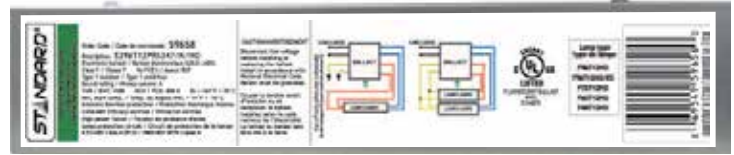


## ORDERING INFORMATION

Order code: 59658  
 Description: E296T12PRS347/N/HO  
 UPC: 69549596580



## SPECIFICATIONS

<b>Ballast type:</b>	Electronic	<b>Type</b>	1 Outdoor
<b>Starting method:</b>	Program Rapid Start	<b>Contains PCBs:</b>	No
<b>Lamp connection:</b>	Series	<b>Sound rating:</b>	A
<b>Input voltage (V):</b>	347	<b>Open current voltage (OCV) (V):</b>	450
<b>Input frequency (Hz):</b>	50/60	<b>Inherent thermal protection:</b>	Yes
<b>Max. case temperature:</b>	75 °C	<b>Lamp protection circuit:</b>	Yes
<b>Thermal protection:</b>	Class P	<b>ICES-005 Compliant:</b>	Class A RFLD
		<b>Auto-restrike:</b>	Yes



Lamp type	Number of lamps	Rated lamp watts	Min. start temp. (°F / °C)	Input current (A)	Input power (ANSI watts)	Ballast factor	Max THD (%)	Power factor	Max. lamp current crest factor	B.E.F.
<b>347 VOLTS</b>										
F96T12HO (110W)	2	110	14/-10	0.56	193	0.89	15	0.99	1.7	0.46
F96T12HO/ES (95W)	2	95	14/-10	0.45	155	0.89	15	0.99	1.7	0.57
F72T12HO (85W)	2	85	-22/-30	0.46	160	0.90	10	0.99	1.7	0.56
F60T12HO (75W)	2	75	-22/-30	0.40	140	1.00	10	0.99	1.7	0.71
F48T12HO (60W)	2	60	-22/-30	0.35	120	1.10	10	0.99	1.7	0.92
F96T12HO (110W)	1	110	14/-10	0.29	100	0.91	15	0.99	1.7	0.91
F96T12HO/ES (95W)	1	95	14/-10	0.22	78	0.91	15	0.99	1.7	1.17

### WARRANTY:

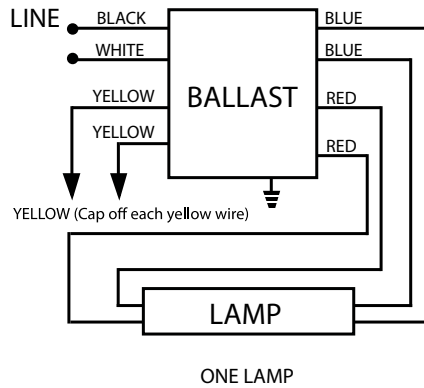
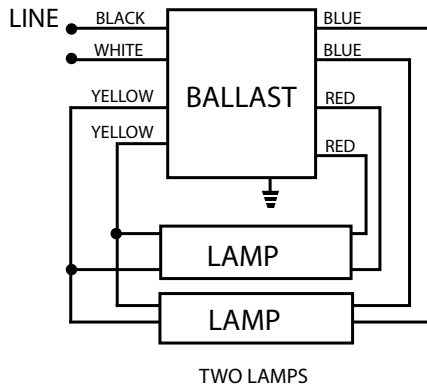
Ballast warranty of 5 years for electronic ballast 75 °C. Ballast warranty of 3 years for electronic ballast 90 °C. For more information visit our website.

Data is based upon tests performed in a controlled environment and representative of relative performance. Actual performance can vary depending on operating conditions. Specifications are subject to change without notice.  
 March 9, 2015

## ORDERING INFORMATION

Order code: 59658  
 Description: E296T12PRS347/N/HO  
 UPC: 69549596580

## WIRING DIAGRAM

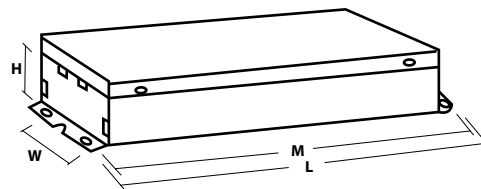


## LEADS LENGTH

Black	47" (120 cm)
White	47" (120 cm)
Blue	71" (180 cm)
Red	71" (180 cm)
Yellow	71" (180 cm)

## BALLAST DIMENSIONS

Length (L):	11.57" (29.4 cm)
Width (W):	2.40" (6.1 cm)
Height (H):	1.65" (4.2 cm)
Mounting (M):	11.10" (28.2 cm)



## WARRANTY:

Ballast warranty of 5 years for electronic ballast 75 °C. Ballast warranty of 3 years for electronic ballast 90 °C.  
 For more information visit our website.

Data is based upon tests performed in a controlled environment and representative of relative performance.  
 Actual performance can vary depending on operating conditions. Specifications are subject to change without notice.  
 March 9, 2015