

# OVS Residential Wall Heater



## Features

### Color

- Standard: white, almond.
- Optional: metallic silver, bronze, metallic charcoal, textured black, beige-grey, aluminum, semi-gloss black (10% upcharge).
- Custom colors available upon request.

### Finish

- Standard: epoxy/polyester powder paint.

### Voltage

- 120V, 208V, 240/208V, 1-phase.

### Construction

- 20-gauge steel cabinet.
- 22-gauge steel front cover.
- High-limit temperature control with automatic reset.

### Fan

- Quiet fan operating.
- 500W to 1000W; 40 cfm fan and 1250W to 2000W; 80 cfm fan.
- Factory-lubricated motor.

### Heating element

- Durable tubular heating element with fins.
- Factory sealed element upon request.

### Control

- Built-in thermostat available with a control knob or tamperproof.

*Note: If an electronic thermostat is used, it must be compatible with forced-air heaters.*

### Installation

- The air outlet should be installed at least 10 in. (25.4 cm) above floor.
- Quick installation with recess box mounting holes.
- Large wiring compartment.
- May be recessed in 2 in. X 3 in. stud partitions.
- Surface mounting box available.
- Tight fit with V-shaped recess box.

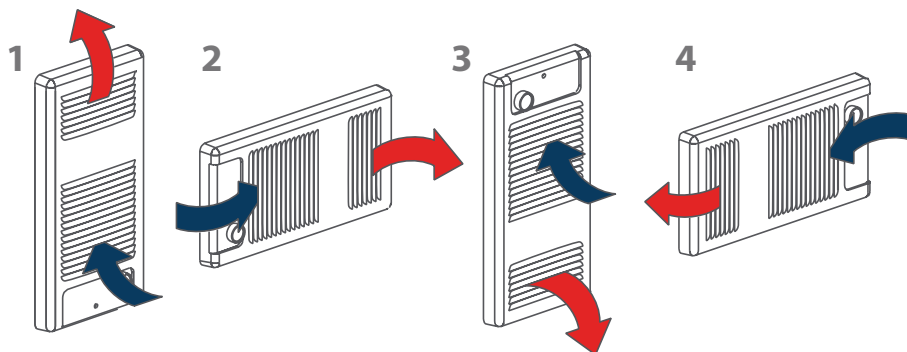
### Warranty

- 1-year warranty against defects.

### Application

- Entrance way, kitchen, bathroom, family room, basement.

Four mounting positions available. Pictures showing front panel. Directional vane air flow.



Models

Watts	Volts	Product #	Price	Weight	
				lb	kg
500	120	OVS0502	181.00	9.0	4.1
750	120	OVS0752	181.00	9.0	4.1
1000	120	OVS1002	192.00	9.0	4.1
1250	120	OVS1252	210.00	9.0	4.1
1500	120	OVS1502	210.00	9.0	4.1
500/375	240/208	OVS0500	177.00	9.0	4.1
750/563	240/208	OVS0750	177.00	9.0	4.1
1000/750	240/208	OVS1000	187.00	9.0	4.1
1250/938	240/208	OVS1250	187.00	9.0	4.1
1500/1125	240/208	OVS1500	207.00	9.0	4.1
2000/1500	240/208	OVS2000	228.00	9.0	4.1
2000	208	OVS2008	228.00	9.0	4.1

Options

Product #	Price	Description	Factory Installed	Kit
OVS-BS	43.00	Surface mounting box	-	✓
OVS-DIS	105.00	Disconnect switch, 20A at 277V max.	✓	✓
OVS-ES <sup>1</sup>	20.00	Factory sealed element	✓	-
OVS-TB6	38.00	Single-pole bi-metal thermostat	✓	✓
OVS-TB26 <sup>2</sup>	47.00	Double-pole bi-metal thermostat	✓	✓
OVS-TB6-AV	44.00	Single-pole bi-metal tamperproof thermostat	✓	✓
OVS-TB26-AV <sup>2</sup>	47.00	Double-pole bi-metal tamperproof thermostat	✓	✓

<sup>1</sup> The option "sealed element" increases the reliability of these in humid environments. It does not completely eliminate the leakage currents of metal sheathed heating elements.

<sup>2</sup> "Off" position.

Add "BL" for white, "AM" for almond.

Optional colors shown in the color chart section (page 105) are available with a 10% upcharge.

For options available as factory installed and kit, if not mentioned on the order, will automatically be shipped as a kit.

